

# Installation Instructions

## IMPORTANT SAFETY INSTRUCTIONS

### For Your Safety

- Be sure your oven is installed properly by a qualified installer or service technician.
- Make sure the cabinets and wall coverings around the oven can withstand the temperatures (up to 200°F [93.3°C]) generated by the oven.
- Be sure the oven is securely installed in a cabinet that is firmly attached to the house structure. Weight on the oven door could cause the oven to tip and result in injury. Never allow anyone to climb, sit, stand or hang on the oven door.



**WARNING:** The electrical power to the oven supply line must be shut off while line connections are being made. Failure to do so could result in serious injury or death.

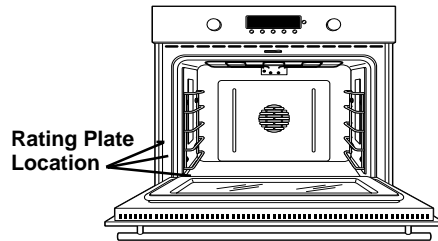
### Electrical Requirements

This appliance must be supplied with the proper voltage and frequency and connected to an individual, properly grounded branch circuit, protected by a circuit breaker or fuse. See the rating plate located on the oven frame to determine the rating of the product. Use the chart below to determine the minimum recommended dedicated circuit protection.

| KW Rating<br>240V | KW Rating<br>208V | Recommended<br>Circuit Size<br>(Dedicated) |
|-------------------|-------------------|--|
| ≤4.8 KW           | ≤4.1 KW           | 20 Amp                                     |
| 4.9 KW–7.2 KW     | 4.3 KW–6.2 KW     | 30 Amp                                     |
| 7.3 KW–9.6 KW     | 6.3 KW–8.3 KW     | 40 Amp                                     |
| 9.7 KW–12.0 KW    | 8.4 KW–10.4 KW    | 50 Amp                                     |

### Electrical Requirements (cont.)

Rating plate is located on the oven side trim, side front frame or lower front frame.



We recommend you have the electrical wiring and hookup of your oven connected by a qualified electrician. After installation, have the electrician show you where your main oven disconnect is located.

Check with your local utilities for electrical codes which apply in your area. Failure to wire your oven according to governing codes could result in a hazardous condition. If there are no local codes, your oven must be wired and fused to meet the requirements of the National Electrical Code, ANSI/NFPA No. 70–Latest Edition. You can get a copy by writing:

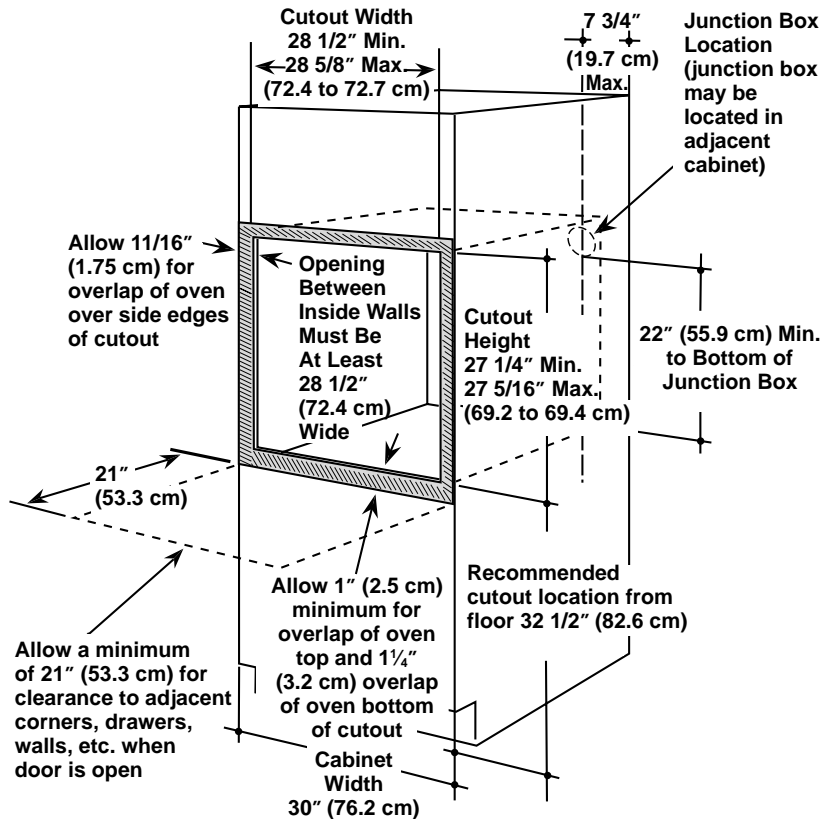
National Fire Protection Association  
Batterymarch Park  
Quincy, MA 02269

Effective January 1, 1996, the National Electrical Code requires that new, but not existing, construction utilize a four-conductor connection to an electric oven. When installing an electric oven in new construction, a mobile home, recreational vehicle or an area where local codes prohibit grounding through the neutral conductor, follow the instructions in the section on NEW CONSTRUCTION AND FOUR-CONDUCTOR BRANCH CIRCUIT CONNECTION.

You must use a three-wire, single-phase A.C. 208Y/120 Volt or 240/120 Volt, 60 hertz electrical system. If you connect to aluminum wiring, properly installed connectors approved for use with aluminum wiring must be used.

# Installation Instructions

## A1 Cutout for Single Built-In Oven

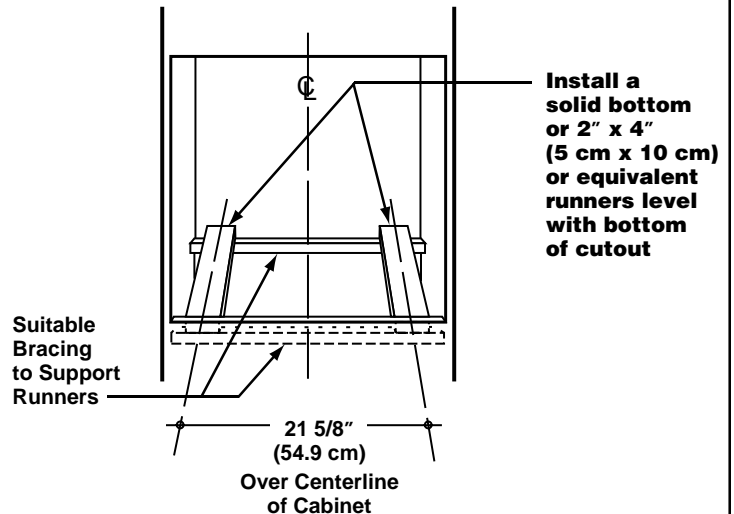


|  |   |
|--|---|
| Cabinet Width                          | 30" (76.2 cm)                                     |
| Recommended Cutout Location from Floor | 32 1/2" (82.6 cm)                                 |
| Cutout Depth                           | 23 1/2" (59.7 cm) Min.                            |
| Cutout Width                           | 28 1/2" (72.4 cm) Min.<br>28 5/8" (72.7 cm) Max.  |
| Cutout Height                          | 27 1/4" (69.2 cm) Min.<br>27 5/16" (69.4 cm) Max. |

**NOTE:** If the cabinet does not have a front frame and the sides are less than 3/4" (1.9 cm) thick, shim both sides equally to establish the cutout width.

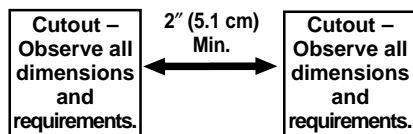
If the cabinet does not have a solid bottom, two braces or runners must be installed level with the bottom of the cutout to support the weight of the oven. For single ovens, the runners and braces must support 200 lbs. (90 kg).

**NOTE:** If marks, blemishes or the cutout opening are visible above the installed oven, it may be necessary to add wood shims under the runners and front trim until the marks or opening are covered.



### Side by Side Installations

Install two wall ovens in separate cutouts. Allow 2" (5.1 cm) min. between cutouts.

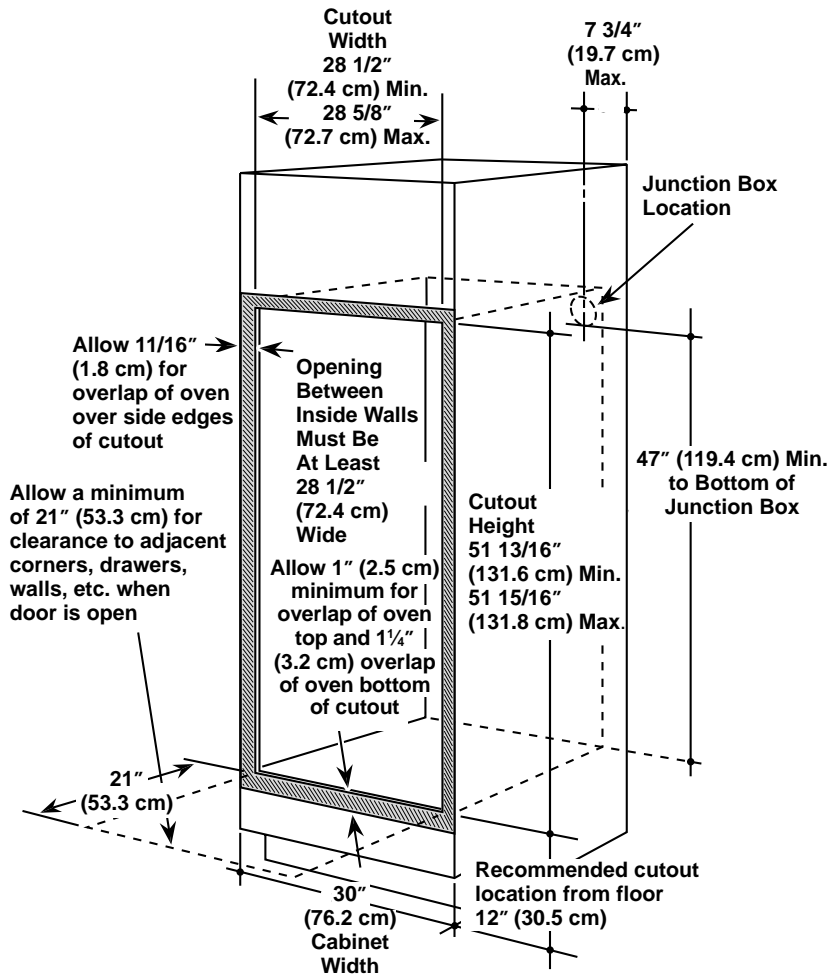


The solid bottom or runners must be level with the bottom of the cutout, or the bottom trim may not install correctly and then interfere with the door opening.

**This oven is not approved for stackable installation.**

# Installation Instructions

## A2 Cutout for Double Built-In Oven



**Cabinet Width** 30" (76.2 cm)

**Recommended Cutout Location from Floor** 12" (30.5 cm)

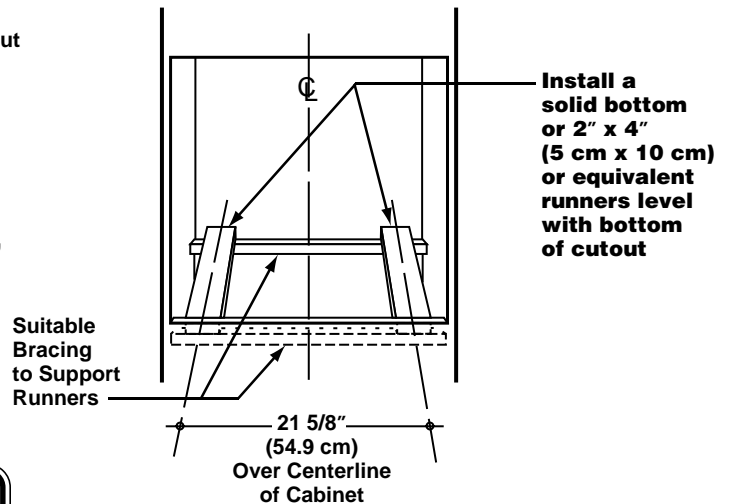
**Cutout Depth** 23 1/2" (59.7 cm) Min.

**Cutout Width** 28 1/2" (72.4 cm) Min.  
28 5/8" (72.7 cm) Max.

**Cutout Height** 51 13/16" (131.6 cm) Min.  
51 15/16" (131.8 cm) Max.

**NOTE: If the cabinet does not have a front frame and the sides are less than 3/4" (1.9 cm) thick, shim both sides equally to establish the cutout width.**

If the cabinet does not have a solid bottom, two braces or runners must be installed level with the bottom of the cutout to support the weight of the oven. For double ovens, the runners and braces must support 375 lbs. (169 kg).



**NOTE: If marks, blemishes or the cutout opening are visible above the installed oven, it may be necessary to add wood shims under the runners and front trim until the marks or opening are covered.**

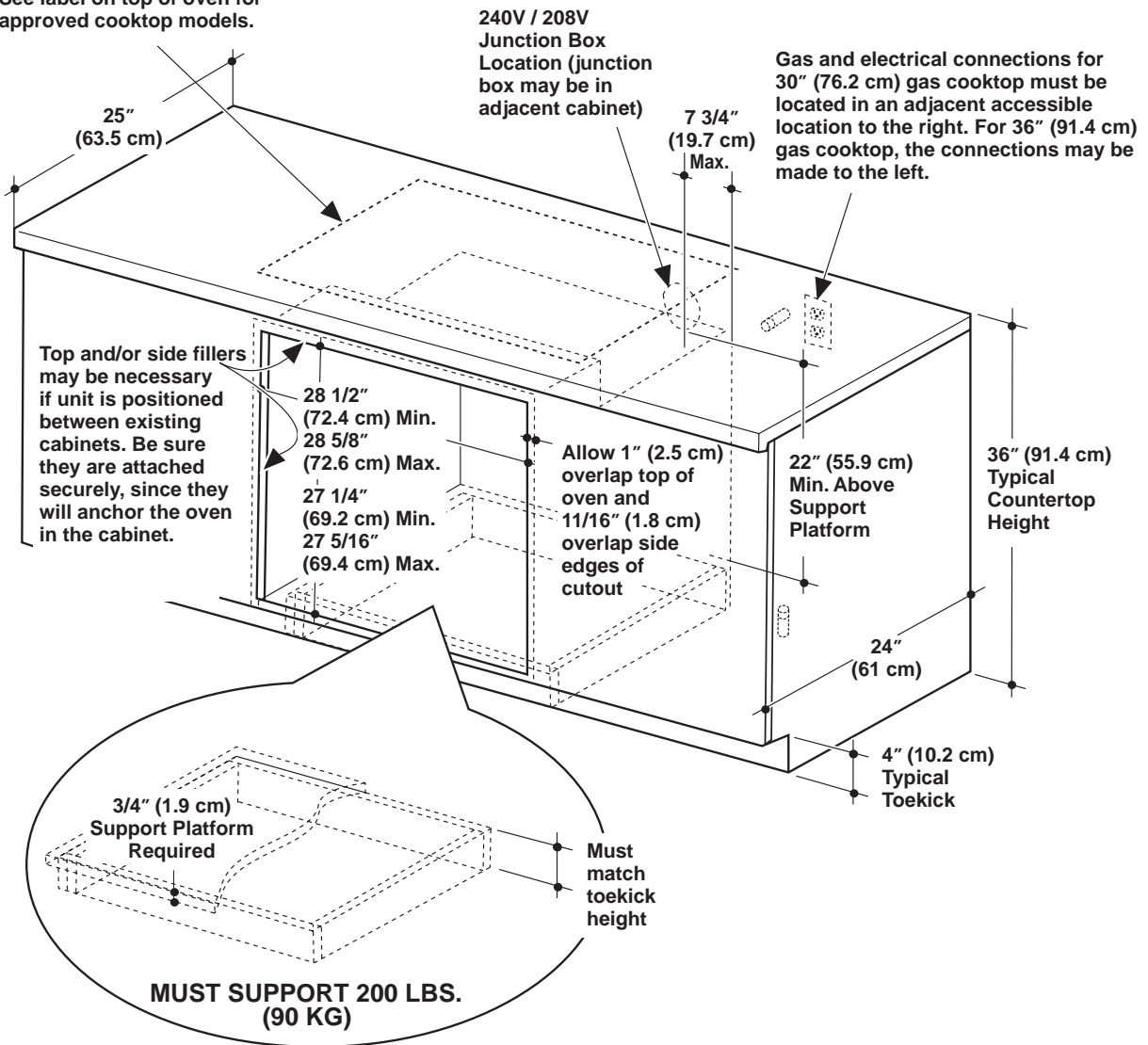
The solid bottom or runners must be level with the bottom of the cutout, or the bottom trim may not install correctly and then interfere with the door opening.

# Installation Instructions

**A3**

## Cutout for Single Built-In Oven Under Counter

Gas or electric cooktops may be installed over this oven. See cooktop installation instructions for cutout size. See label on top of oven for approved cooktop models.



### Side by Side Installations

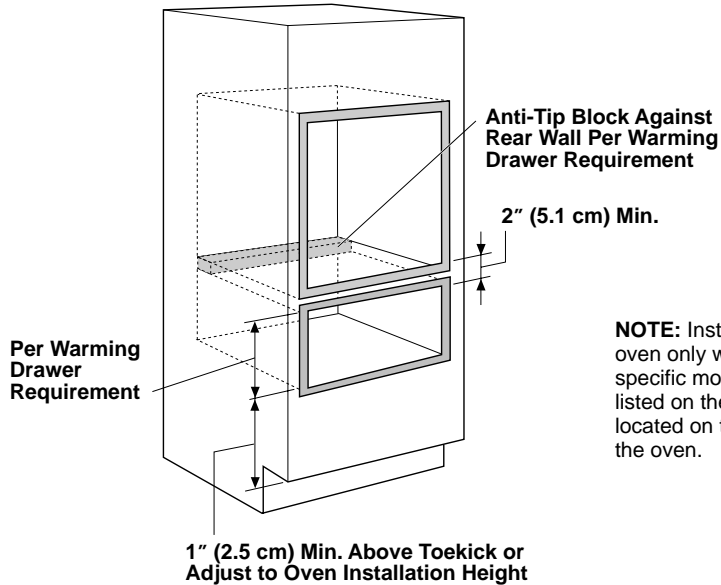
Install two wall ovens in separate cutouts. Allow 2" (5.1 cm) min. between cutouts.



**NOTE:** This oven is only approved to be installed under the specific models as labeled on this unit.

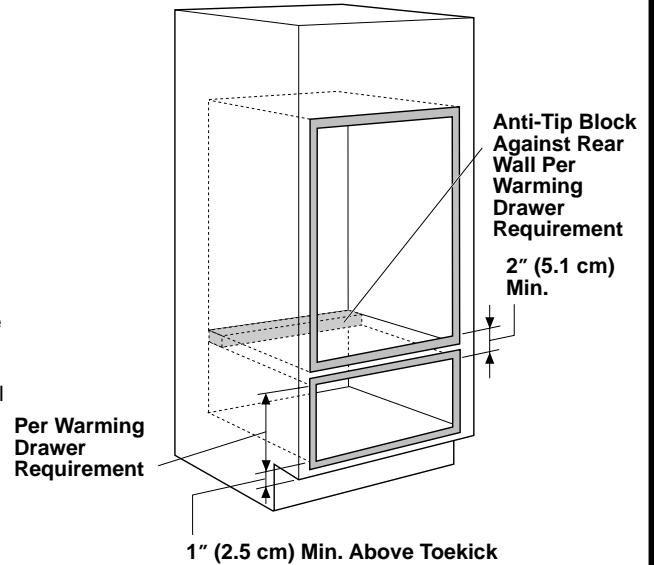
# Cabinetry

## A4 Single Oven Cutout for Installation Over a Monogram Warming Drawer



**NOTE:** Additional clearances between cutouts may be required. Check to be sure the oven supports above the Warming Drawer location do not obstruct the required interior depth and height.

## A5 Double Oven Cutout for Installation Over a Monogram Warming Drawer



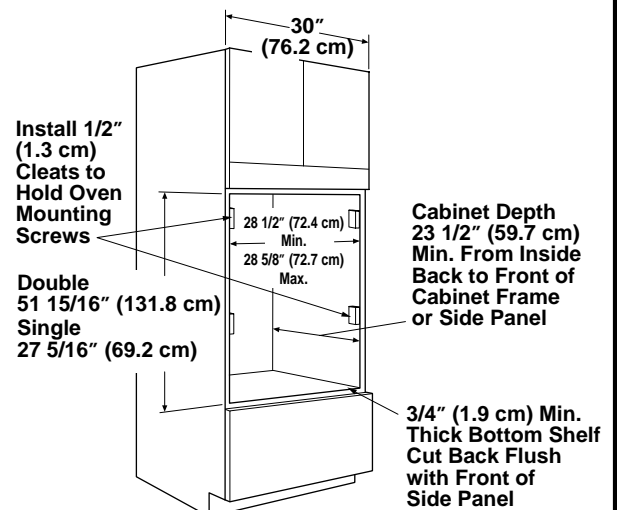
- When installing a Monogram Warming Drawer below a single or double oven, a separate 120V, 60 Hz, properly grounded receptacle must be installed. Refer to installation instructions packed with the Warming Drawer for specific installation requirements.

## A6 Cutout for Frameless Cabinets

### Frameless Cabinets

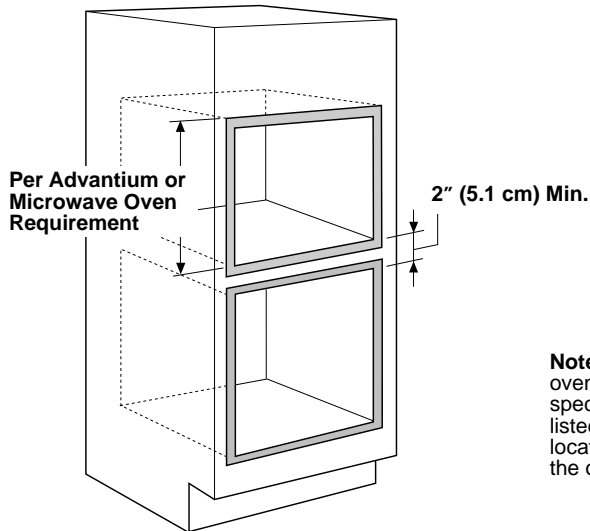
Whenever possible, order 30" (76.2 cm) frameless cabinet with the cutout sided to fit the oven. If using stock cabinets, additional finished filler pieces may be required to cover the opening.

- A stock frameless cabinet cutout width may be up to 28 3/4" (73 cm). If necessary, add 1/2" (1.3 cm) cleats to the sides, flush with the front edge of the side panels to accept mounting screws.



# Cabinetry

## A7 Single Oven Cutout for Installation Below a Monogram Advantium or Microwave Oven



**Note:** Install the oven only with specific models listed on the label located on top of the oven.

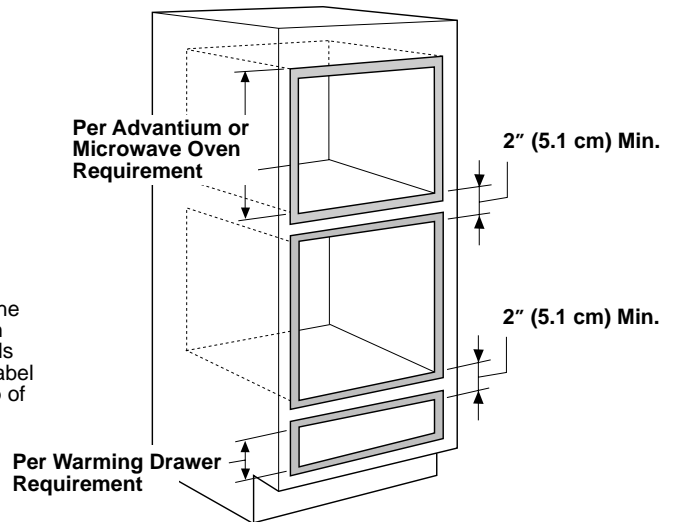
**NOTE:** The middle rail separating the two openings may need to be larger than the 2" (5.1 cm) minimum shown. Always refer to the individual installation instructions packed with each product for specific requirements.

### Combined Advantium or Microwave Oven and Wall Oven Installation:

When installed in combination with a Monogram single wall oven, use separate electrical junction boxes.

- Refer to the Advantium or microwave oven installation instructions for electrical requirements of that product.
- These connections must be made by a qualified electrician. All electrical connections must meet National Electrical Code or prevailing local codes.

## A8 Single Oven Cutout for Installation Between a Monogram Advantium or Microwave Oven and a Monogram Warming Drawer



**NOTE:** Additional clearances may be required. Check to be sure the oven supports above the Warming Drawer do not obstruct the required interior depth and height. The middle rail separating the openings may need to be larger than the 2" (5.1 cm) minimum shown. Always refer to the individual installation instructions packed with each product for specific requirements.

### Warming Drawer Combined with Advantium or Microwave Oven and Single Oven:

Install a separate 120V, 60Hz, properly grounded receptacle. See installation instructions packed with each product for specific requirements.

# Installation Instructions

## B Electrical Connections

### ATTENTION INSTALLER

All electric wall ovens must be hard wired (direct wired) into an approved junction box. A plug and receptacle is NOT permitted on these products.

DO NOT shorten the flexible conduit. The conduit strain relief clamp must be securely attached to the junction box and the flexible conduit must be securely attached to the clamp. If the flexible conduit will not fit within the clamp, do not install the oven until a clamp of the proper size is obtained.

**NOTE TO ELECTRICIAN:** The 3 power leads supplied with this appliance are UL recognized for connection to heavier gauge household wiring. The insulation of these 3 leads is rated at temperatures much higher than the temperature rating of household wiring. The current carrying capacity of the conductor is governed by the wire gauge and the temperature rating of the insulation around the wire.



**WARNING:** Improper connection of aluminum house wiring to copper leads can result in an electrical hazard or fire. Use only connectors designed for joining copper to aluminum and follow the manufacturer's recommended procedure closely.

**B1** Turn off the circuit breaker or remove fuses to the oven branch circuit.

**B2** With the oven supported on a table or platform in front of the cabinet opening, connect the flexible conduit to the electrical junction box as shown below. Position the conduit in such a manner that it will lie on top of the oven in a natural loop when the oven is installed. You will need to purchase an appropriate strain relief clamp to complete the connection of the conduit to the junction box.

