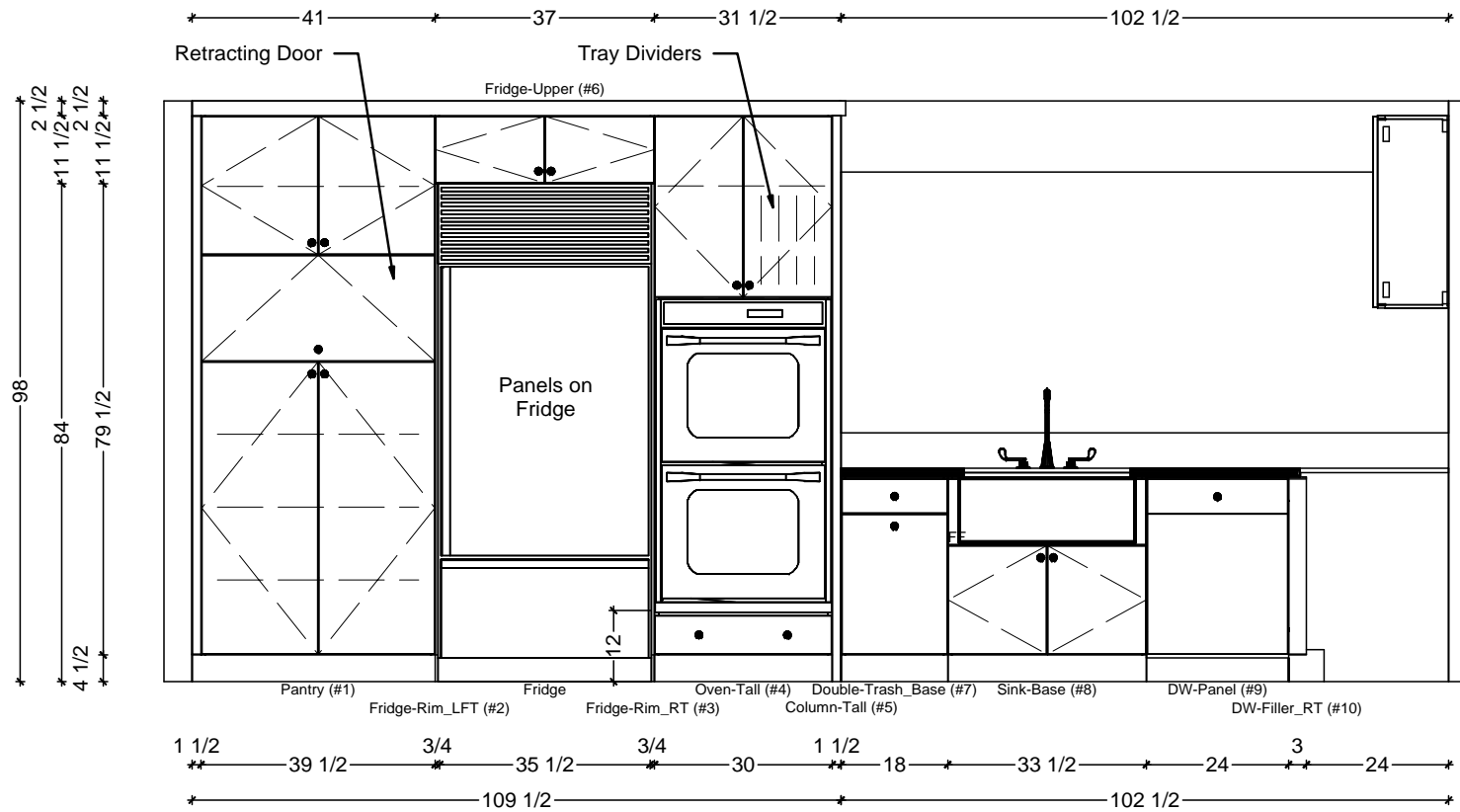

**KITCHEN CABINETRY FLOOR PLAN**  
 SCALE: 3/8" = 1' 0"

**Classic Bath Designs, Inc.**  
 11544 Sheldon St., Sun Valley, CA 91352  
 818.767.1144 fax: 818.767.1278



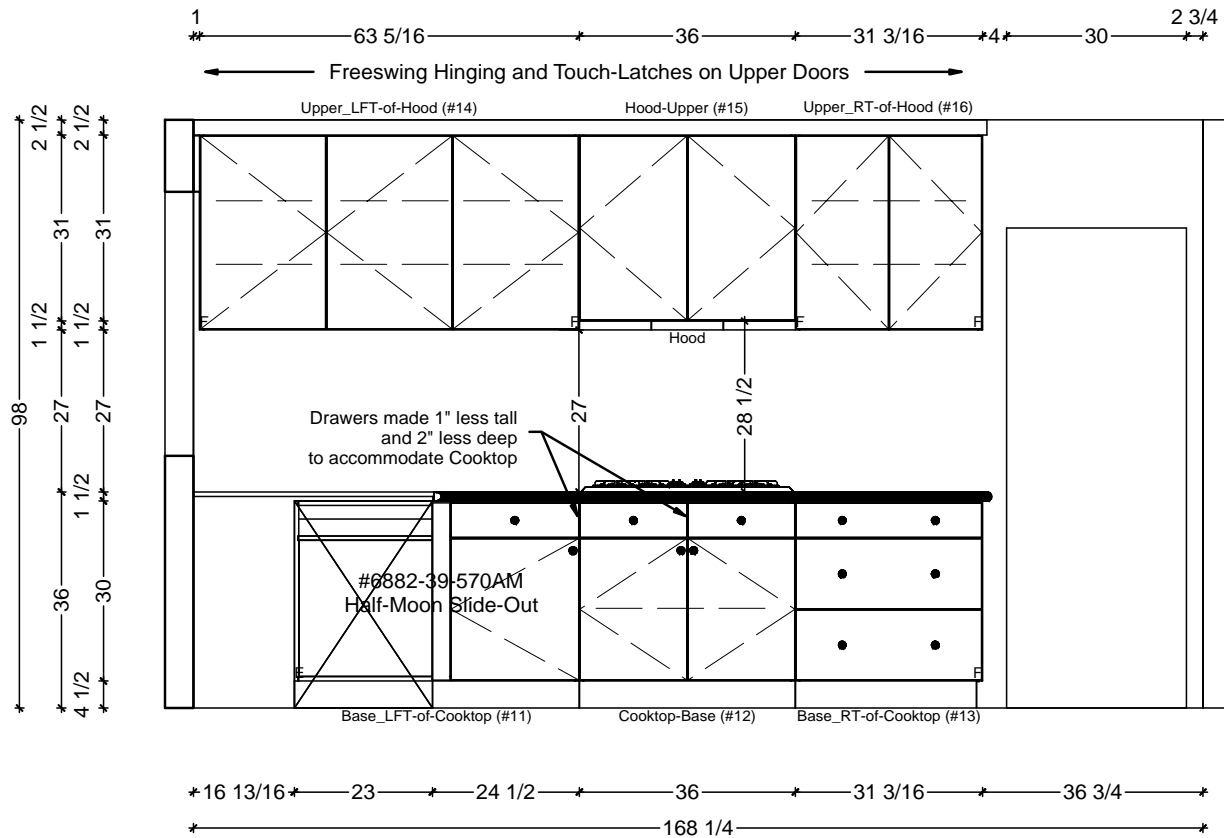
Cust: Marina Construction for O'Connor		PO# SngFamDwelling	Scale: As Noted	KITCHEN		<b>K.0</b>
Approved _____	Job: FL-VertGrain_Mpl/Mpl:perSample_IntEB:Mpl		Size: A	Dr By: Brian	05/09/2013	



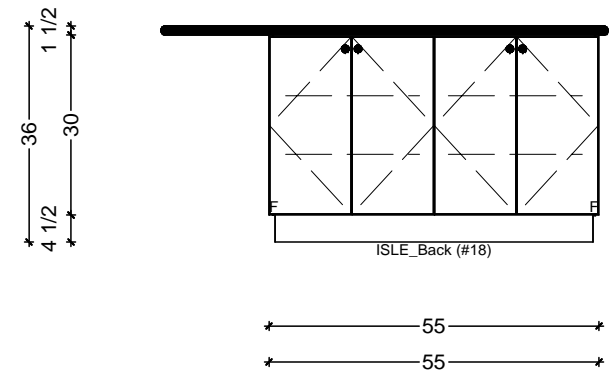
1 KITCHEN ELEVATION - FRIDGE/OVEN/SINK RUN  
 SCALE: 3/8" = 1' 0"

**Classic Bath Designs, Inc.**  
 11544 Sheldon St., Sun Valley, CA 91352  
 818.767.1144 fax: 818.767.1278

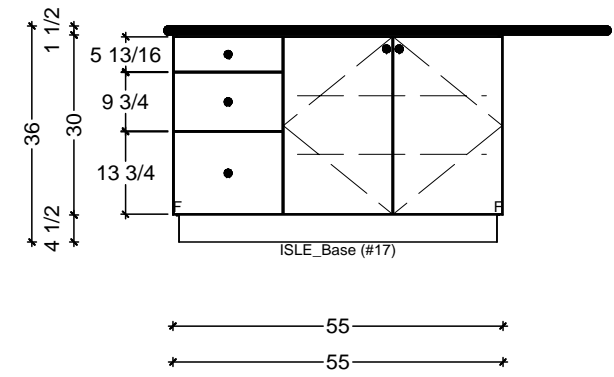
Cust: Marina Construction for O'Connor	PO# SngFamDwelling	Scale: As Noted	KITCHEN	K.1
Approved _____	Job: FL-VertGrain_Mpl/Mpl:perSample_IntEB:Mpl	Size: A	Dr By: Brian 05/09/2013	



**1** KITCHEN ELEVATION - COOKTOP RUN  
SCALE: 3/8" = 1' 0"



**3** KITCHEN ELEVATION - ISLE  
SCALE: 3/8" = 1' 0"



**2** KITCHEN ELEVATION - ISLE  
SCALE: 3/8" = 1' 0"

**Classic Bath Designs, Inc.**  
11544 Sheldon St., Sun Valley, CA 91352  
818.767.1144 fax: 818.767.1278



Cust: Marina Construction for O'Connor		PO# SngFamDwelling	Scale: As Noted	KITCHEN		<b>K.2</b>
Approved _____	Job: FL-VertGrain_Mpl/Mpl:perSample_IntEB:Mpl	Size: A	Dr By: Brian	05/09/2013		