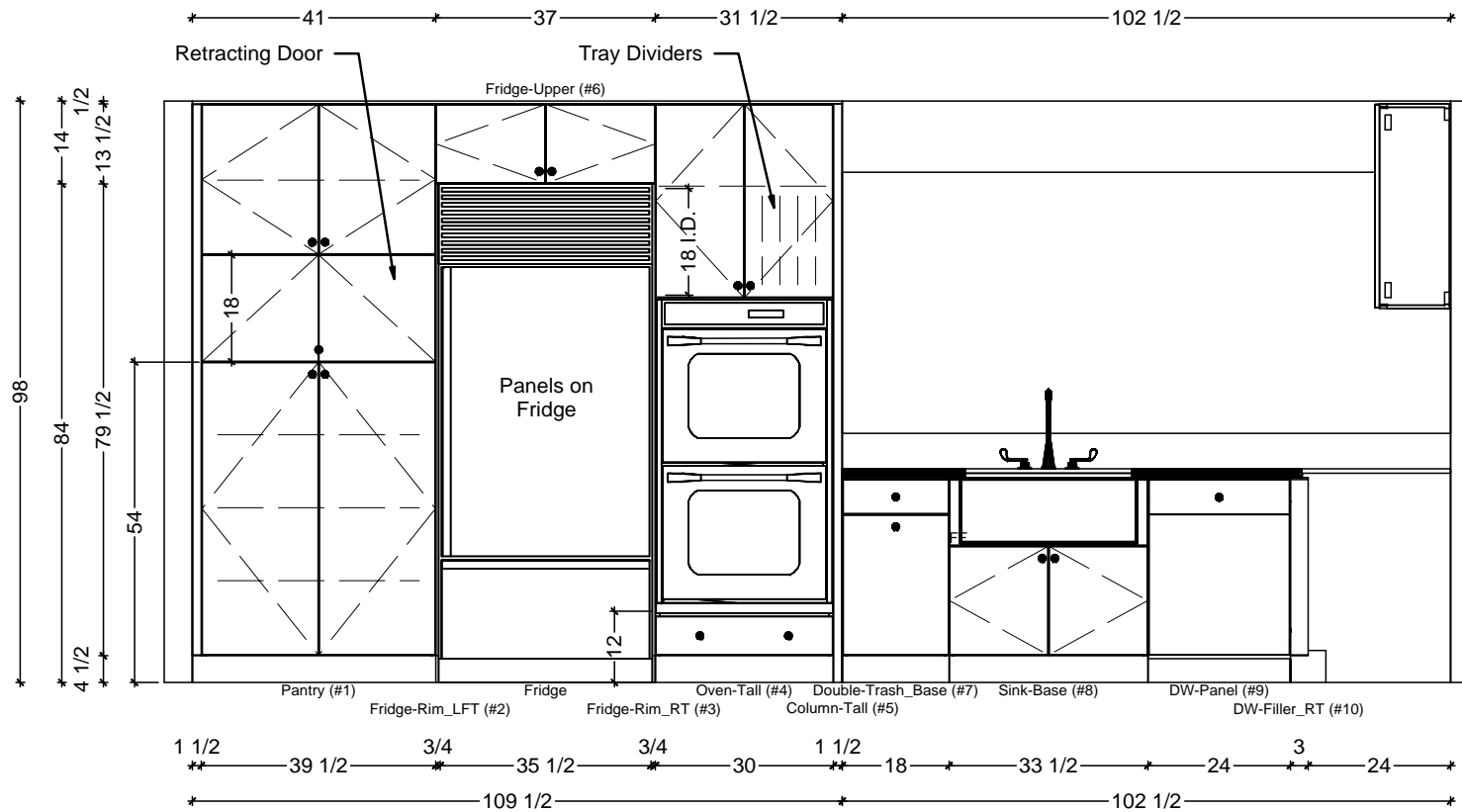

KITCHEN CABINETRY FLOOR PLAN
 SCALE: 3/8" = 1' 0"

Classic Bath Designs, Inc.
 11544 Sheldon St., Sun Valley, CA 91352
 818.767.1144 fax: 818.767.1278



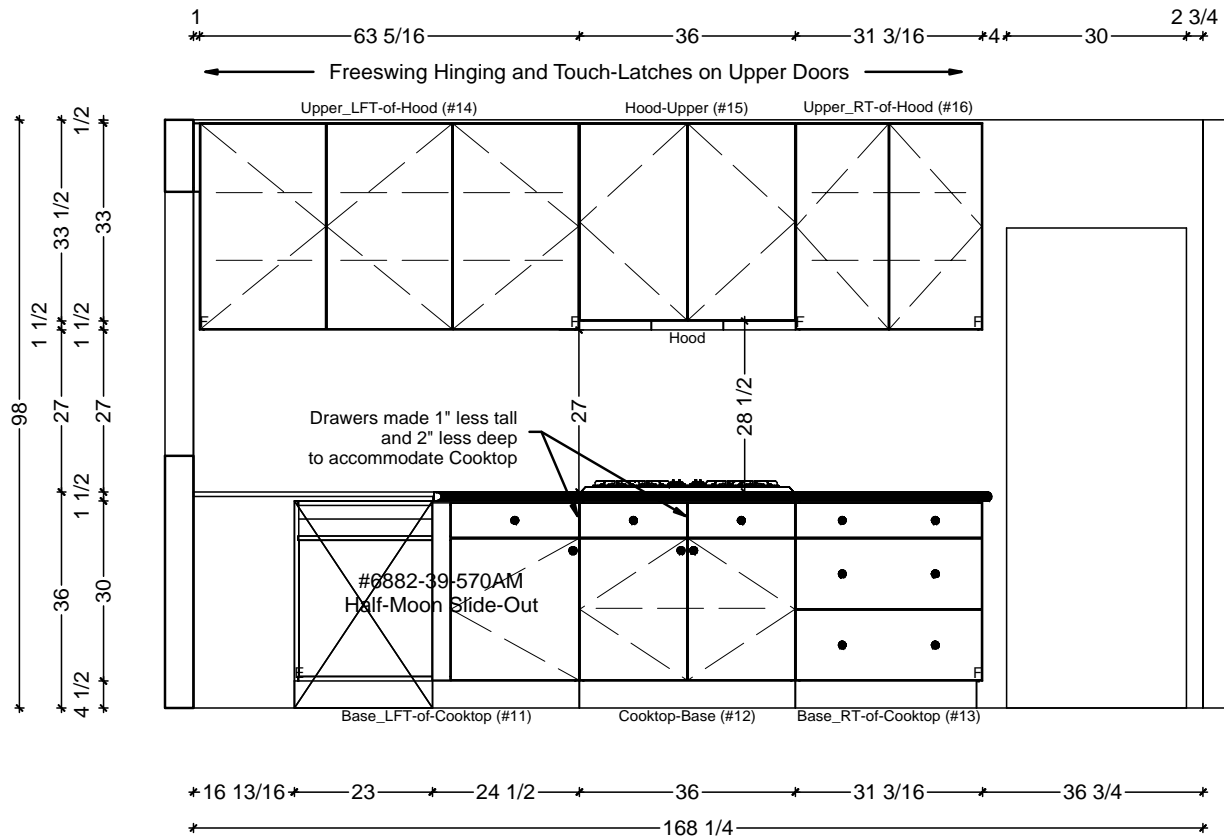
Cust: Marina Construction for O'Connor		PO# SngFamDwelling	Scale: As Noted	KITCHEN		K.0
Approved _____	Job: FL-VertGrain_Mpl/Mpl:perSample_IntEB:Mpl		Size: A	Dr By: Brian	05/10/2013	



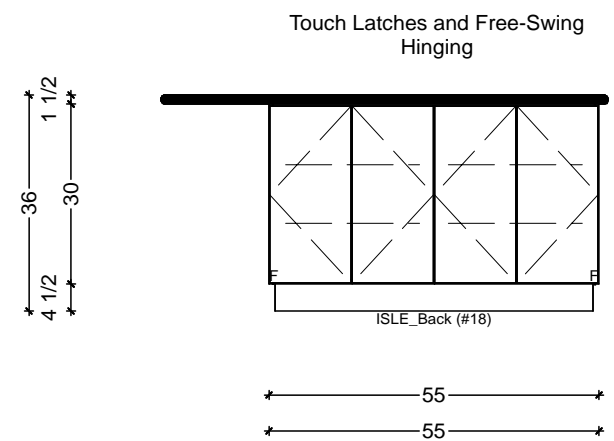
1 KITCHEN ELEVATION - FRIDGE/OVEN/SINK RUN
SCALE: 3/8" = 1' 0"

Classic Bath Designs, Inc.
11544 Sheldon St., Sun Valley, CA 91352
818.767.1144 fax: 818.767.1278

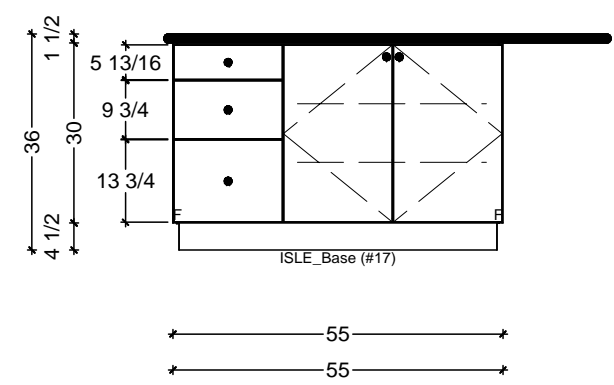
Cust: Marina Construction for O'Connor	PO# SngFamDwelling	Scale: As Noted	KITCHEN	K.1
Approved _____	Job: FL-VertGrain_Mpl/Mpl:perSample_IntEB:Mpl	Size: A	Dr By: Brian 05/10/2013	



1 KITCHEN ELEVATION - COOKTOP RUN
SCALE: 3/8" = 1' 0"



3 KITCHEN ELEVATION - ISLE
SCALE: 3/8" = 1' 0"



2 KITCHEN ELEVATION - ISLE
SCALE: 3/8" = 1' 0"

Classic Bath Designs, Inc.
11544 Sheldon St., Sun Valley, CA 91352
818.767.1144 fax: 818.767.1278

Cust: Marina Construction for O'Connor	PO# SngFamDwelling	Scale: As Noted	KITCHEN	K.2
Approved _____	Job: FL-VertGrain_Mpl/Mpl:perSample_IntEB:Mpl	Size: A	Dr By: Brian 05/10/2013	