

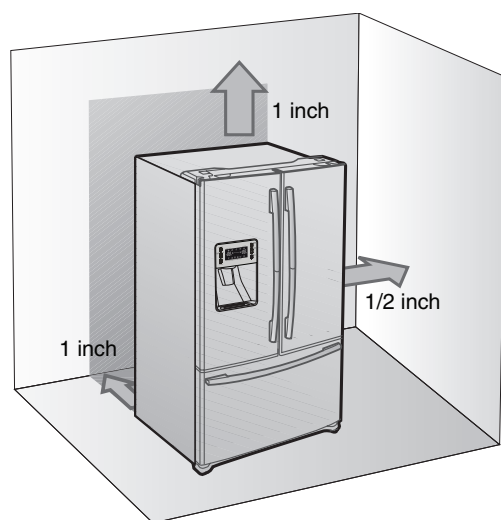
Setting up your French Door Refrigerator

GETTING READY TO INSTALL THE REFRIGERATOR

Congratulations on your purchase of the Samsung French Door Refrigerator. We hope you enjoy the state-of-art features and efficiencies that this new appliance offers.

Selecting the best location for the Refrigerator

- A Location with easy access to the water supply.
- A Location without direct exposure to sunlight.
- A Location with level (or nearly level) flooring.
- A Location with enough space for the Refrigerator doors to open easily.
- Allow sufficient space for air circulation of the internal cooling system.
If the Refrigerator does not have enough space, the internal cooling system may not work properly.



First thing! Make sure that you can easily move your Refrigerator to its final location by measuring doorways (both width and height), thresholds, ceilings, stairways, etc.

The following chart details the exact height and depth of Samsung French Door Refrigerator.

MODEL		RF267AA	
Capacity(Cu.Ft)		25.5	
Dimensions (inches)	Width		35.7
	Case Height	with Hinge	69.8
		without Hinge	68.6
	Depth	with Door	35.6
without Door		32.9	

- ☞ Allow clearance to the right, left, back and top when installing. This will help reduce power consumption and keep your energy bills lower.
- **Do not install the Refrigerator where the temperature will go below 50 °F (10 °C).**