

# INSTALLATION INSTRUCTIONS



MASTERPIECE®/THERMADOR PROFESSIONAL® SERIES  
BUILT-IN OVEN

**Thermador** ★  
REAL INNOVATIONS FOR REAL COOKS



# INSTALLATION INSTRUCTIONS

Built-in oven  
Four encastré  
Horno empotrado

Table of Contents .....	4
Table de Matières .....	19
Contenido .....	35

## Models/Modèle/Modelo

ME301JP  
ME301JS  
ME302JP  
ME302JS  
MED271JS  
MED272JS  
MED301JS  
MED301JP  
MED302JS  
MED302JP  
MEDMC301JS  
MEDMC301JP  
MEDMCW71JS  
MEDMCW31JP  
MEDMCW31JS  
POD301J  
PODC302J  
PODM301J  
PODMW301J

# Table of Contents

<b>IMPORTANT SAFETY INSTRUCTIONS</b> .....	<b>5</b>	<b>Oven Installation</b> .....	<b>9</b>
Appliance Handling Safety.....	5	For Best Installation .....	9
Safety Codes and Standards .....	5	Removing the Oven Door.....	9
Electric Safety.....	5	Placing the Oven into the Cabinet Opening .....	11
Related Equipment Safety .....	5	Replacing the Oven Door.....	12
Transport .....	5	Combination Units Microwave Trim Adjustment .....	12
<b>Preparation</b> .....	<b>6</b>	<b>Testing Operation</b> .....	<b>12</b>
Before you Begin .....	6	<b>Service</b> .....	<b>13</b>
<b>Checklist for Installation</b> .....	<b>6</b>	Before Calling Service.....	13
<b>Dimensions and Cabinet Requirements</b> .....	<b>7</b>	Data Plate .....	13
<b>Removing Packaging</b> .....	<b>7</b>	<b>Appliance and Cabinet Cutout Dimensions</b> .....	<b>13</b>
Left Packaging Bracket Removal .....	7	Dimensions for 27" Wall-Mounted Units.....	13
Right Packaging Bracket Removal .....	7	Dimensions for 27" Under-Counter Units.....	15
<b>Electrical Installation</b> .....	<b>8</b>	Dimensions for 30" Wall-Mounted Units.....	15
Electrical Connection .....	8	Dimensions for 30" Under-Counter Units.....	17
Four-wire Connection.....	8	<b>THERMADOR® Support</b> .....	<b>18</b>
Three-wire Connection.....	9	Service.....	18
		Parts and Accessories .....	18

This THERMADOR Appliance is made by  
BSH Home Appliances Corporation  
1901 Main Street, Suite 600  
Irvine, CA 92614

Questions?

1-800-735-4328

[www.thermador.com](http://www.thermador.com)

We look forward to hearing from you!

# ⚠ IMPORTANT SAFETY INSTRUCTIONS

## READ AND SAVE THESE INSTRUCTIONS

---

### WARNING

---

If the information in this manual is not followed exactly, fire or shock may result causing property damage or personal injury.

---

---

### WARNING

---

Do not repair, replace or remove any part of the appliance unless specifically recommended in the manuals. Improper installation, service or maintenance can cause injury or property damage. Refer to this manual for guidance. All other servicing should be done by a qualified technician.

---

### Appliance Handling Safety

Unit is heavy and requires at least two people or proper equipment to move.

Do not lift appliance by door handle.

Hidden surfaces may have sharp edges. Use caution when reaching behind or under appliance.

### Safety Codes and Standards

This appliance complies with the latest version of one or more of the following standards:

- CAN/CSA C22.2 No. 61 - Household Cooking Ranges
- UL 858 - Household Electric Ranges
- CAN/CSA C22.2 No. 150 - Microwave Ovens
- UL 923 - Microwave Cooking Appliances
- CSA C22.2 No. 64 - Household Cooking and Liquid-Heating Appliances
- UL 1026 - Electric Household Cooking and Food Serving Appliances

It is the responsibility of the owner and the installer to determine if additional requirements and/or standards apply to specific installations.

### Electric Safety

Before you plug in an electrical cord, be sure all controls are in the OFF position.

If required by the National Electrical Code (or Canadian Electrical Code), this appliance must be installed on a separate branch circuit.

**Installer** - show the owner the location of the circuit breaker or fuse. Mark it for easy reference.

**Important** - save these instructions for the local electrical inspector's use..

Before installing, turn power OFF at the service panel. Lock service panel to prevent power from being turned ON accidentally.

Refer to data plate for more information. See "Data Plate" under "Service" for data plate location.

Be sure your appliance is properly installed and grounded by a qualified technician. Installation, electrical connections and grounding must comply with all applicable codes.

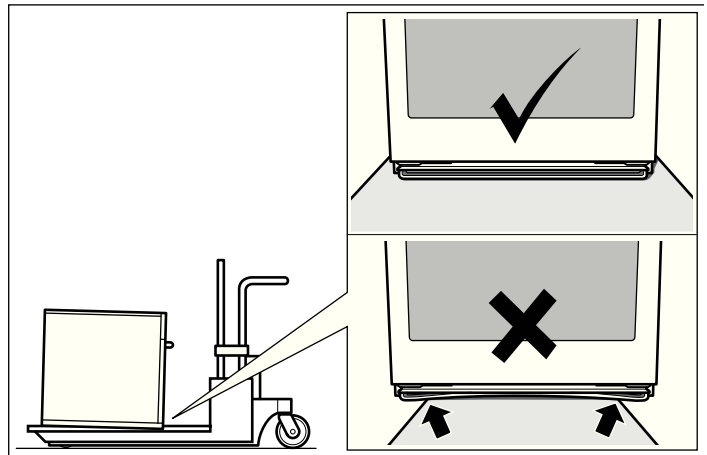
### Related Equipment Safety

Remove all tape and packaging before using the appliance. Destroy the packaging after unpacking the appliance. Never allow children to play with packaging material

Never modify or alter the construction of the appliance. For example, do not remove leveling legs, panels, wire covers or anti-tip brackets/screws.

### Transport

To avoid damage to the oven vent, use the transport method shown in the picture below.

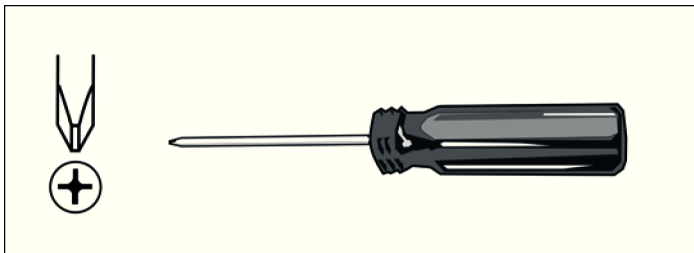


# Preparation

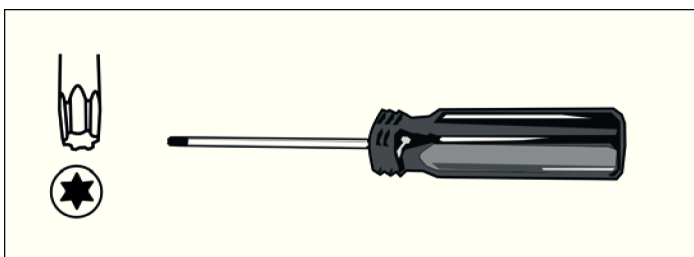
## Before you Begin

### Tools and Parts Needed

- #2 Phillips head screwdriver (to install trim screws).



- T20 Star-head screwdriver (to remove shipping screws).



- 1/8" drill bit and drill (to drill pilot holes for trim screws).
- Measuring tape.
- Gloves and long sleeves are recommended (to help protect hands and arms from scratches).

### Parts Included

Phillips head screws (6).

### Power Requirements

The outlet must be properly grounded in accordance with all applicable codes.

# Checklist for Installation

Use this checklist to verify that you have completed each step of the installation process. This can help you avoid common mistakes.

Refer to detailed instructions for each step in the sections following this checklist.

1. Before installing the oven, be sure to verify the cabinet dimensions are correct for your unit and that the required electrical connections are present. Make sure the electrical conduit provided on the unit is able to reach to the point of connection.

*Section: Dimensions and Cabinet Requirements*

2. Move the oven unit into place in front of the cabinet opening.

*Section: Removing Packaging*

3. Remove packaging materials, leaving the bottom packaging on the unit to avoid damaging flooring.

*Section: Removing Packaging*

4. Remove the T20 (star head) screws holding the unit to the base of the carton.

*Section: Removing Packaging*

5. Remove the oven door(s).

*Section: Oven Installation, "Removing the Oven Door"*

6. Team lift the unit directly into the cabinet cutout.  
*Section: Oven Installation, "Placing the Oven into the Cabinet Opening"*
7. Slide the unit all the way into place.  
*Section: Oven Installation, "Placing the Oven into the Cabinet Opening"*
8. Fasten the oven unit to the cabinetry opening with the screws supplied.  
*Section: Oven Installation, "Placing the Oven into the Cabinet Opening"*
9. Reinstall the oven door(s).  
*Section: Oven Installation, "Placing the Oven into the Cabinet Opening"*

Always read and follow the complete installation instructions contained in this manual.

# Dimensions and Cabinet Requirements

Cabinet requirements vary depending on the model to be installed. Please consult the “Cabinet Dimension Requirements” section at the back of this installation manual for the details pertaining to your particular model.

## All models require:

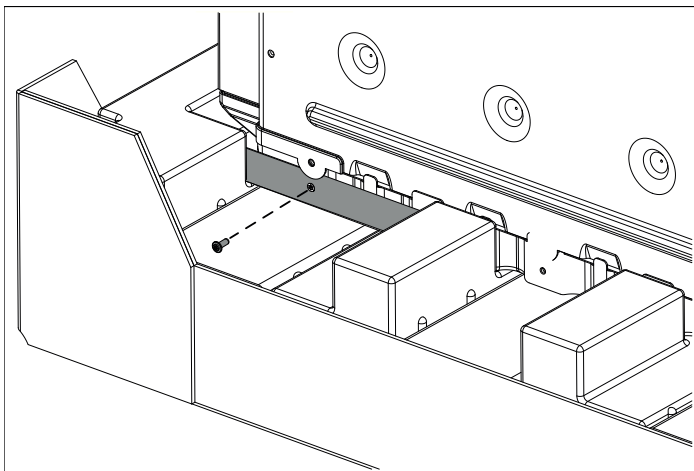
- ¼” (6.4 mm) space between the side of the oven and an adjacent wall or cabinet door when installed at the end of a cabinet run.
- Installation of 2x4’s extending front to back flush with the bottom and side of the opening to provide oven support. This supporting base must be well secured to the floor/cabinet and must be level.
- The electrical conduit box must be located above the unit to facilitate connecting and servicing the unit.
- The cabinet base must be flat and capable of supporting the weight of your oven when in use (varies by model up to 429 lbs. (195 kg)). See the appropriate weight for your model in the “Cabinet Dimension Requirements” section at the back of this installation manual.

## Removing Packaging

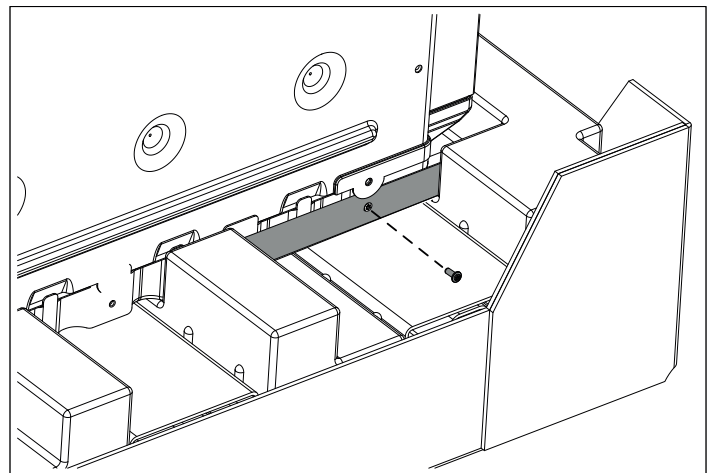
**NOTICE:** To prevent damage to your floor keep the unit in its packaging base until ready to be placed in the cabinet opening. Do not slide the unit across the flooring. Different models use different packaging materials. Actual brackets may look differently. Bracket remains in packaging base.

1. Cut straps on outside of box.
2. Remove cardboard box.
3. Remove all top and side cardboard and Styrofoam braces.
4. Place oven in front of cabinets where it is to be installed.
5. Unscrew unit from Left and Right Brackets as show in “Left and Right Packaging Bracket Removal”.

### Left Packaging Bracket Removal



### Right Packaging Bracket Removal



# Electrical Installation

All model ovens on the front cover are dual rated, designed to be connected to either 208/240V AC, 60 Hz, 4 wire, single-phase power supply.

Model	Circuit Required
ME301JP, ME301JS, MED271JS, MED301JS, MED301JP, POD301J	30 AMP
ME302JP, ME302JS, MED272JS, MED302JS, MED302JP, PODC302J	40 AMP
MEDMC301JS, MEDMC301JP, MEDMCW71JS, MEDMCW31JP, MEDMCW31JS, PODM301J, PODMW301J	50 AMP

The electrical supply should be a 4-wire single-phase AC. Install a suitable conduit box (not furnished). An appropriately-sized, UL-listed conduit connector must be used to correctly attach the conduit to the junction box.

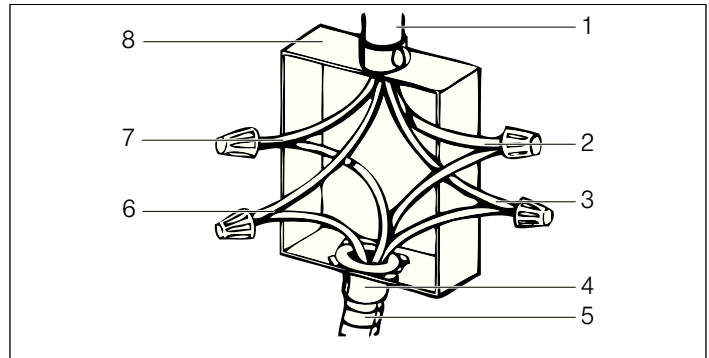
**NOTICE:** Local Codes may vary; installation, electrical connections and grounding must comply with all applicable local codes.

If local codes permit grounding through the electrical supply neutral, connect both the white neutral wire and the bare ground wire from the oven to the white neutral electrical supply wire.

## Electrical Connection

The four-wire connection is preferred, but where local codes permit, the three wire connection is also acceptable.

### Four-wire Connection

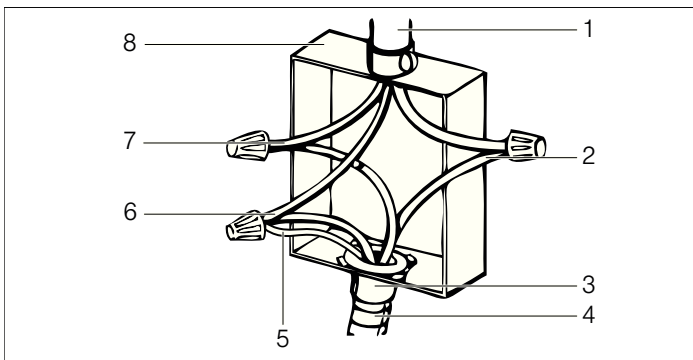


1	Cable from power supply
2	White wires
3	Black wires
4	U.L.-listed conduit connector
5	Cable from oven
6	Bare or green wires
7	Red wires
8	Junction box

- Connect the red oven wire to the red electrical supply wire (hot wire).
- Connect the black oven wire to the black electrical supply wire (hot wire).
- Connect the white neutral oven wire to the white neutral (not bare ground) electrical supply wire.
- Connect the oven bare ground wire to the bare (or green) electrical supply ground wire.



## Three-wire Connection



1	Cable from power supply
2	Black wires
3	U.L.-listed conduit connector
4	Cable from oven
5	Bare or green wire

6	White wires
7	Red wires
8	Junction box

- Connect red wire from oven to red electrical supply wire.
- Connect black wire from oven to black electrical supply wire.
- Connect both the bare ground wire and the white wire from the oven to the white (or gray) neutral electrical supply wire, or the bare/green ground electrical supply wire.

The conduit cable, where connected at the oven, swivels. Rotate conduit cable upward (or downward) and direct through hole prepared in cabinet to attach to junction box.

To maintain serviceability, the flex conduit must not be shortened and should be routed to permit temporary removal of the oven.

## Oven Installation

**NOTICE:** Before installing the oven, be sure to verify the cabinet dimensions and electrical connections.

### For Best Installation

The oven can be difficult for two people to handle during installation. It is recommended to have three or more people available to assist with lifting the unit into place. Removal of the oven door during installation (to provide the necessary handholds and to significantly reduce the unit weight) can be cumbersome unless the detailed door removal instructions are followed carefully. Please take time to read and follow the instructions provided for an improved installation experience.

## Removing the Oven Door

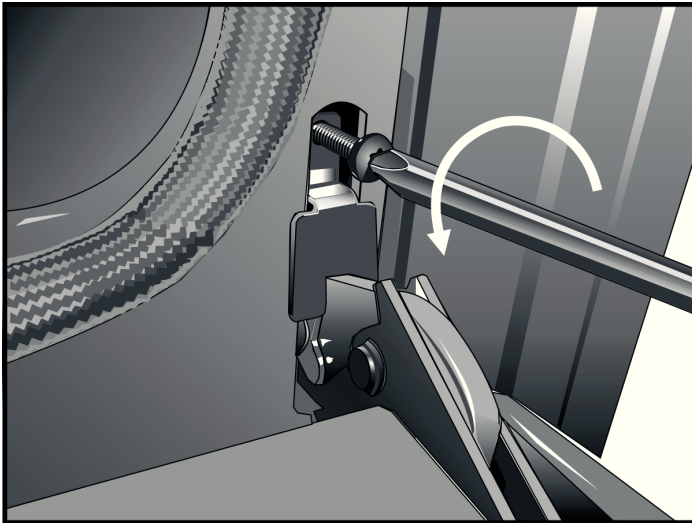
### ▲ CAUTION

#### WHEN REMOVING THE OVEN DOOR:

- Make sure oven is cool and power to the oven has been turned off before removing the door. Failure to do so could result in electrical shock or burns.
- The oven door is heavy and parts of it are fragile. Use both hands to remove the oven door. The door front includes glass components. Handle carefully to avoid breakage.
- Grasp only the sides of the oven door. Do not grasp the handle as it may swing in your hand and cause damage or injury.
- Failure to grasp the oven door firmly and properly could result in personal injury or product damage.
- To avoid injury from hinge bracket snapping closed, be sure that both locking levers are securely in place before removing the door. Also, do not force the oven door open or closed - the hinge could be damaged and injury could result.
- Do not lay the removed door on sharp or pointed objects as this could break the glass. Lay the door on a flat, smooth surface, positioned so that the door cannot fall over.

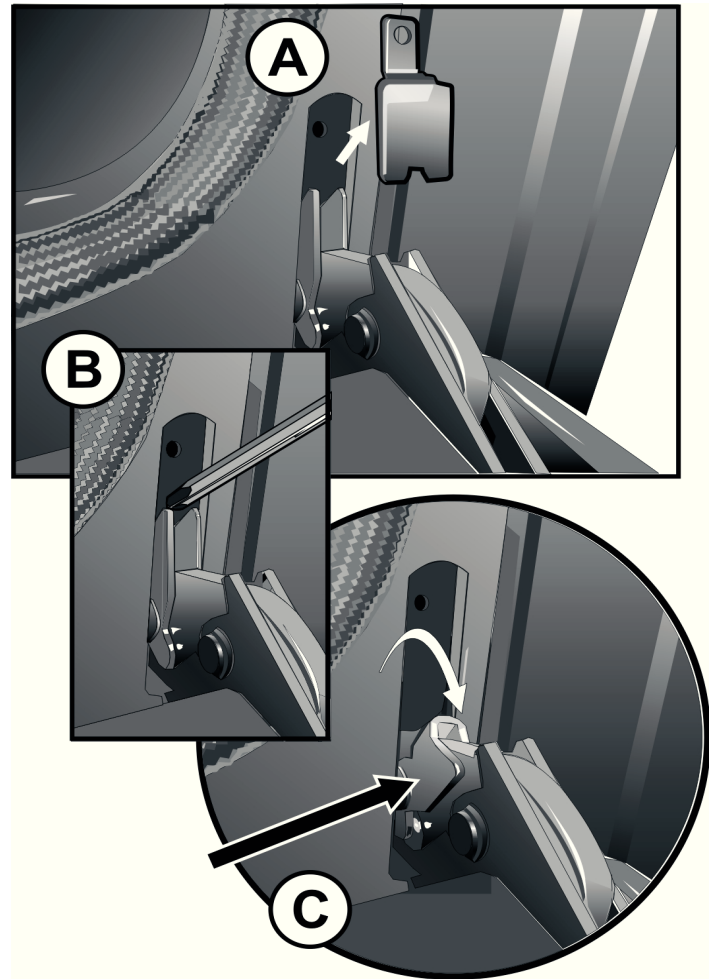
### To remove the oven door:

1. Read the preceding caution notice before beginning the oven door removal process.
2. Provide a nearby place to safely lay the door after removal so it will not fall over or be stepped upon. Lay the door flat on a blanket or cushioned surface.
3. Open the oven door fully until it is parallel to the floor. The door contains powerful springs to assist with closing the door. It is necessary to position the toggle locks in place to take the tension off the springs.
4. To access the toggle locks, remove the locking plate using a T20 star head driver.



5. After removing the screw, (A) lift the locking plate up and then pivot it out to remove. Repeat for the other hinge. Retain both locking plates and screws for reinstallation.

6. Flip the locking levers towards the door as far as they will go. Hint: (B) It may be helpful to use the tip of a screwdriver to pull out the locking levers. (C) Make sure both locking levers are in the locked position pushed all the way towards the door.



7. With the toggles in place as shown, carefully close the oven door until the front side of the door is about 5½ inches (140 mm) from the control panel.
8. Grasp the door firmly using both hands. The door weighs over 30 pounds.

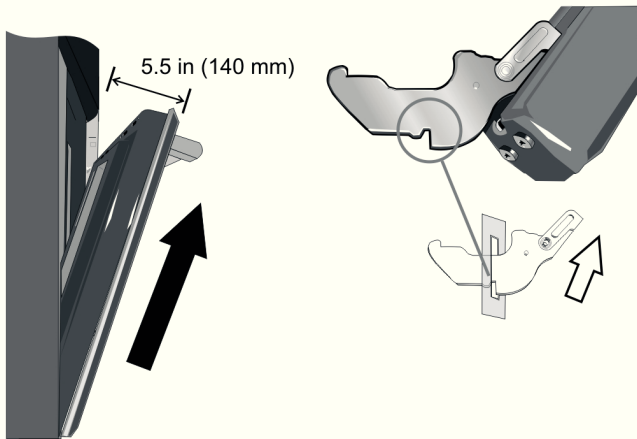
---

#### ▲ CAUTION

To avoid damage do not allow the door to strike the control panel during door removal or replacement.

---

9. Lift the door up and pull out at an upward angle as shown in the following illustration. The notch in the hinge foot will disengage from the oven door frame. With both door hinge feet disengaged, lift the door off the unit.



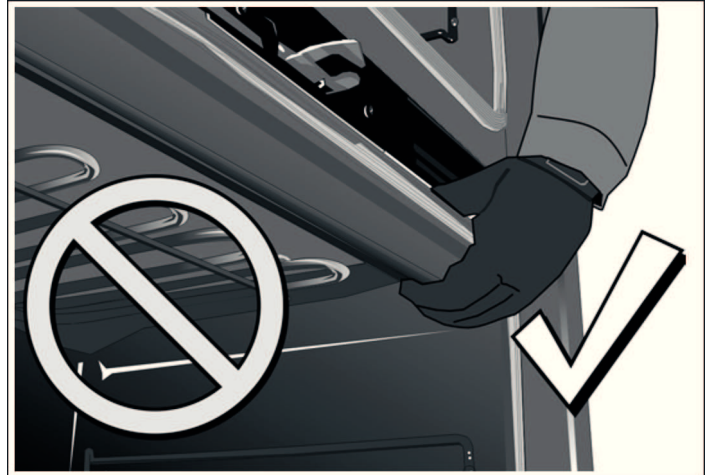
10. Carefully move the door to a safe place to protect it from damage until you are ready to reinstall it.

## Placing the Oven into the Cabinet Opening

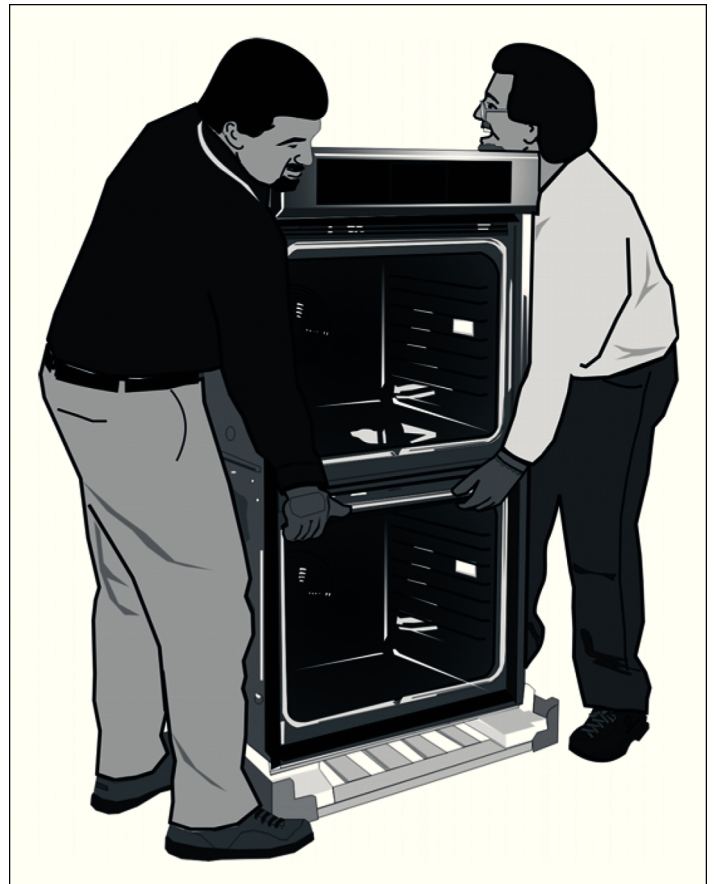
### ⚠ CAUTION

- To avoid potential damage to flooring keep the unit on its base packaging until immediately before placing the unit directly into the cabinet opening. Do not allow the metal base of the unit to contact the flooring. See the following handling instructions for details.
- To avoid damage to the door (and/or warming drawer front for combo units) do not lift, pull or push the unit during installation by using the oven door handle or warming drawer handle as a gripping point.
- Wear gloves and long sleeves to protect hands and forearms from abrasion and potential scratches during the lifting process. Take off watches and jewelry and wear work shoes during installation for foot protection.

When lifting the unit into place avoid grasping the upper element to avoid damaging it. See the following illustration for the correct lifting point.



1. The unit and its bottom packaging (pallet) should be positioned close to and in front of the cabinet opening prior to beginning to lift the unit into place.



2. Lift or slide unit into the cabinet cutout without allowing the unit base to contact the flooring.

3. Guide the unit straight back into the cabinet cutout. Push the unit straight in until the oven trim is about 2 inches from being flush with cabinet wall. Be careful not to crimp the flexible conduit between the oven and the cabinet back wall. If necessary, guide the flexible conduit into the wall or cabinet access hole so it doesn't prevent the unit from being pushed all the way into the cabinet opening. The oven should be straight and level, not crooked.
4. Push the unit all the way back into the cabinet cutout until the front edge of the unit is flush with the front of the cabinet.
5. Install the supplied screws through the tap holes in the trim (2 screws for single ovens, 4 screws for double/combo ovens). It is recommended to drill pilot holes for the trim screws.
6. Replace the oven door(s) according to the following instructions.

## Replacing the Oven Door

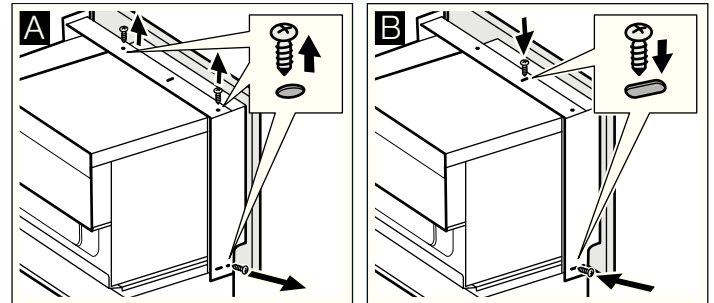
To replace the oven door:

1. Hold the door firmly in both hands at a 30° angle to the front of the unit.
2. Guide the door hinges into the hinge slots on the unit housing.
3. Slide the door in until the slots on the hinges engage the oven housing. Hint: it may be necessary to rock the door slightly to seat it correctly.
4. Lower the door into the fully open 90° position. If the door will not lower all the way to the 90° position, the hinges are not correctly seated. The door should be straight, not crooked.
5. Push the locking toggles back into the unlocked position, toward the oven cavity.
6. Reinstall the locking plates and screws (see door removal process above).
7. Close the door gently. It should close all the way. Gently open and close the door several times to be sure it is correctly installed and securely in place.

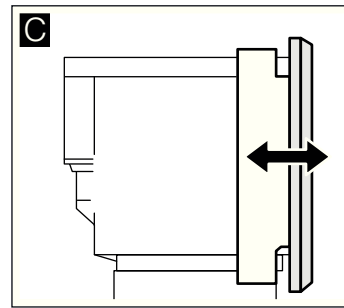
## Combination Units Microwave Trim Adjustment

During the installation of your Built-In Oven combination unit it may be necessary to adjust the microwave trim frame for a tight fit against the cabinet front. Determine if alignment of the microwave trim frame is needed to fit the trim tighter against the cabinet front.

1. Measure the gap dimension to be closed and note on which side it appears.
2. Slide the Built-In Oven unit out from the cabinet 4 to 5 inches, enough to provide access to the adjustment screws.
3. Remove screws (A) and replace into adjustable slot positions (B). Do not tighten the screws.



4. Slide the trim frame as needed (C).



5. Tighten the screws holding the trim frame.
6. Slide the oven unit fully back into place in the cavity and check to see if the alignment of the microwave trim frame is satisfactory. If it is not, repeat the procedure.

## Testing Operation

1. Turn on power at the breaker.
2. Check power at junction box using a volt meter.
  - For 240 V installation, the reading between the red and black wires (line to line) should be 220 to 240 volts.
  - For 208 V installation, the reading between the red and black wires (line to line) should be 190 to 208 volts.
3. Test the oven mode.
  - Select the BAKE mode. See the Use and Care Manual for detailed operation instructions.
4. Verify that the oven light comes on and the oven begins to preheat.
5. Test the door lock.
  - Set the SELF CLEAN mode. Confirm that the door locks when the lock icon appears in the display.
6. If installing a double oven, test the second oven as well.
7. If any of the tests do not result as explained above, contact service for assistance. Otherwise, the installation is complete at this time.

# Service

## Before Calling Service

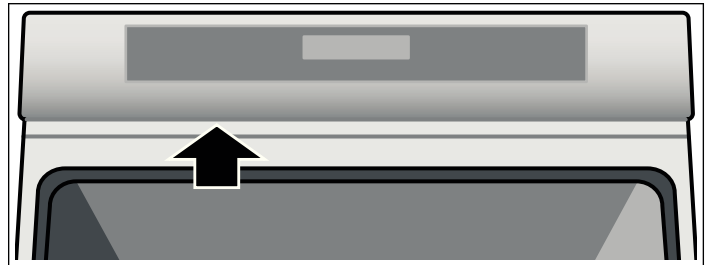
See Use and Care Manual for troubleshooting information. Refer to the Warranty in the Use and Care Manual.

To reach a service representative, see the contact information at the front of the manual. Please be prepared with the information printed on your product data plate when calling.

## Data Plate

The data plate shows the model and serial number. Refer to the data plate on the appliance when requesting service.

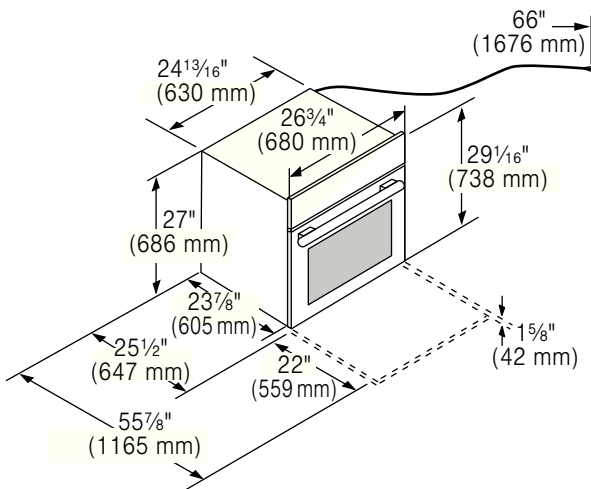
The data plate is located on the underside of the control panel:



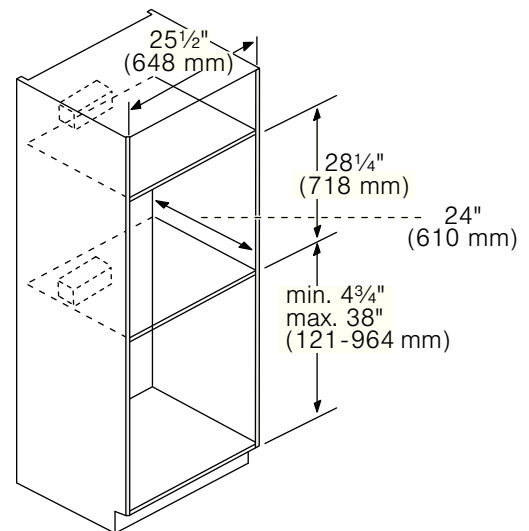
# Appliance and Cabinet Cutout Dimensions

## Dimensions for 27" Wall-Mounted Units

### Single Oven 27"



### Wall Installation 27" Ovens:



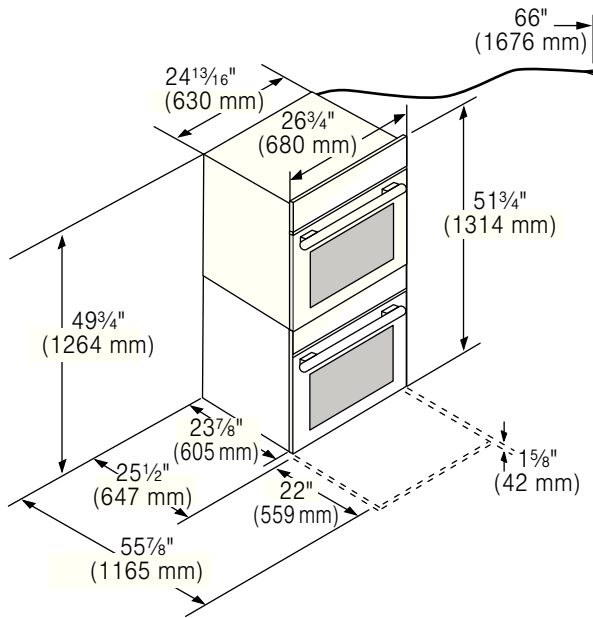
It is good practice, when oven is installed at the end of a cabinet run, adjacent to a perpendicular wall or cabinet door, to allow at least 1/4" space between the side of the oven and the wall/door.

For oven support, install 2x4's extending front to back flush with the bottom and the side of the opening. The supporting base must be well secured to the floor/ cabinet and level.

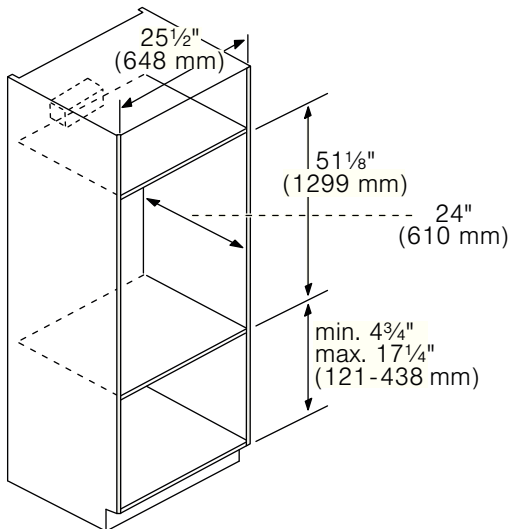
## NOTICES

- The conduit box must be installed either above or below the unit. If the conduit box is installed below the unit, a 2" diameter hole or space is required between the back wall and the right rear of the 2x4 supports.
- The cabinet base must be flat and capable of supporting a weight of at least 193 lbs (87 kg).

## Double Oven 27"



Wall Installation 27" Double Oven:



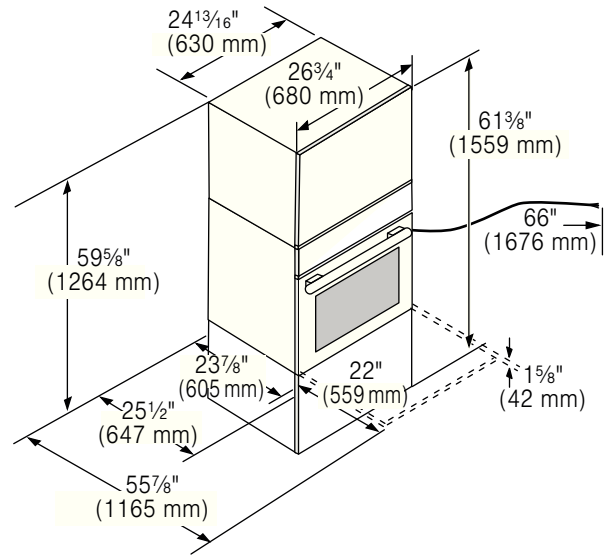
It is good practice, when oven is installed at the end of a cabinet run, adjacent to a perpendicular wall or cabinet door, to allow at least 1/4" space between the side of the oven and the wall/door.

For oven support, install 2x4's extending front to back flush with the bottom and the side of the opening. The supporting base must be well secured to the floor/ cabinet and level.

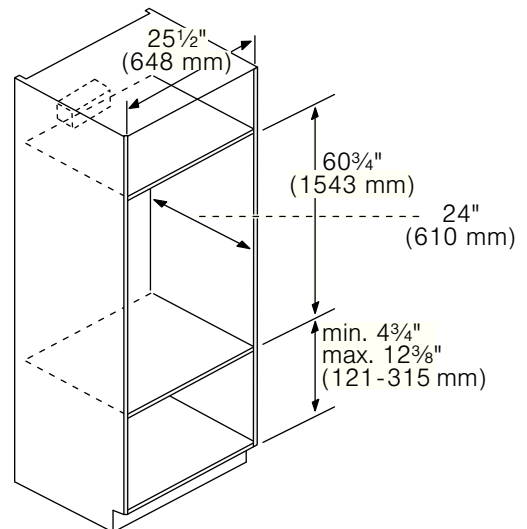
### NOTICES

- The conduit box must be located above the unit to facilitate connecting and servicing.
- The cabinet base must be flat and capable of supporting a weight of at least 361 lbs (164 kg).

## 27" Combo Oven with Microwave and Warming Drawer



Wall Installation 27" Combo Oven with Microwave and Warming Drawer:



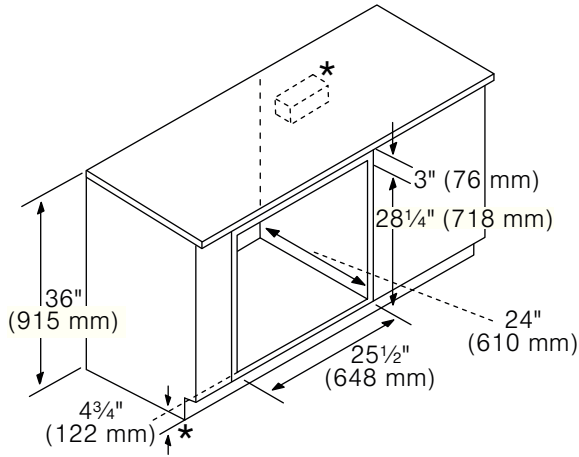
It is good practice, when oven is installed at the end of a cabinet run, adjacent to a perpendicular wall or cabinet door, to allow at least 1/4" space between the side of the oven and the wall/door.

For oven support, install 2x4's extending front to back flush with the bottom and the side of the opening. The supporting base must be well secured to the floor/ cabinet and level.

### NOTICES

- The conduit box must be located above the unit to facilitate connecting and servicing.
- The cabinet base must be flat and capable of supporting a weight of at least 369 lbs (167 kg).

## Dimensions for 27" Under-Counter Units



\* Includes  $\frac{3}{4}$ " (19 mm) base plate. For single ovens installed under a cabinet, the junction box should be located to the right of the unit within reach of the power cord.

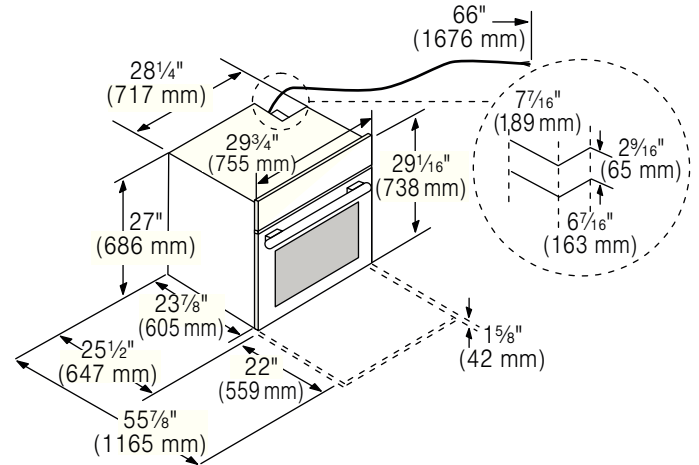
It is good practice, when oven is installed at the end of a cabinet run, adjacent to a perpendicular wall or cabinet door, to allow at least  $\frac{1}{4}$ " space between the side of the oven and the wall/door.

For oven support, install 2x4's extending front to back flush with the bottom and the side of the opening. The supporting base must be well secured to the floor/cabinet and level.

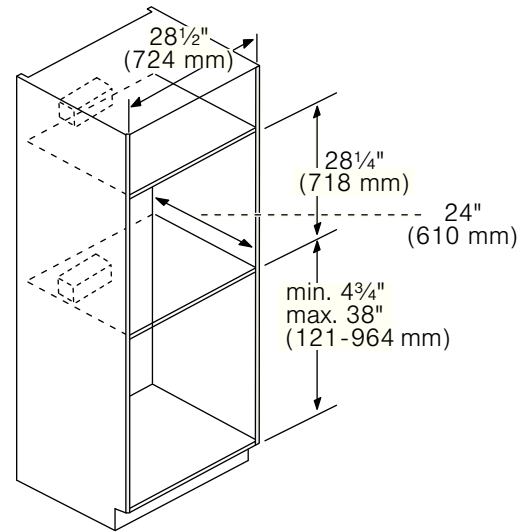
**Note:** The cabinet base must be flat and capable of supporting a weight of at least 193 lbs (87 kg).

## Dimensions for 30" Wall-Mounted Units

### 30" Single Oven



### Wall Installation 30" Single Oven:



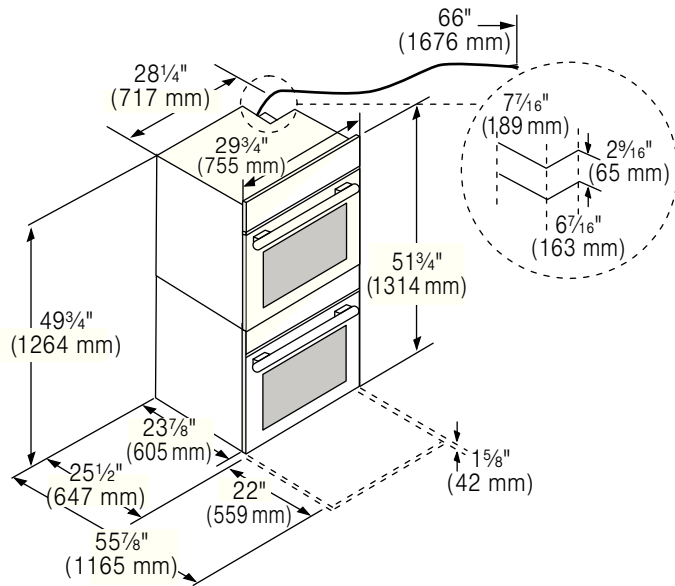
It is good practice, when oven is installed at the end of a cabinet run, adjacent to a perpendicular wall or cabinet door, to allow at least  $\frac{1}{4}$ " space between the side of the oven and the wall/door.

For oven support, install 2x4's extending front to back flush with the bottom and the side of the opening. The supporting base must be well secured to the floor/cabinet and level.

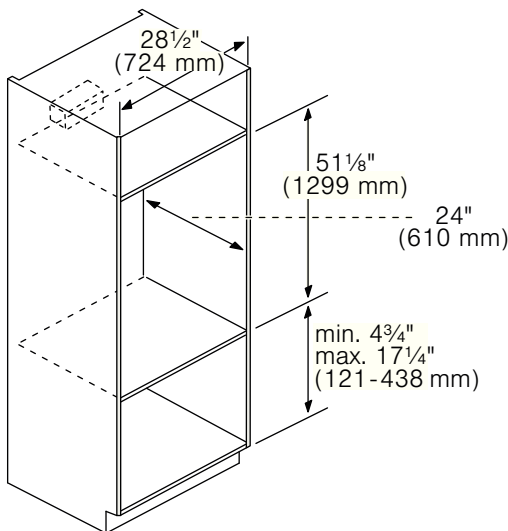
### NOTICES

- The conduit box must be installed either above or below the unit. If the conduit box is installed below the unit, a 2" diameter hole or space is required between the back wall and the right rear of the 2x4 supports.
- The cabinet base must be flat and capable of supporting a weight of at least 212 lbs (96 kg).

### 30" Double Oven



### Wall Installation 30" Double Oven:



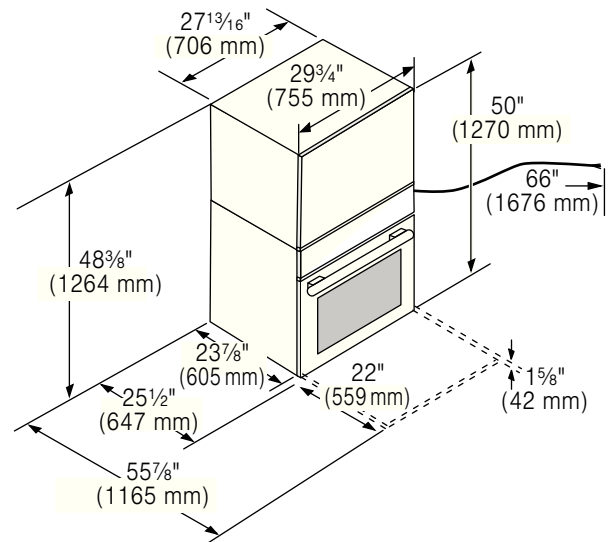
It is good practice, when oven is installed at the end of a cabinet run, adjacent to a perpendicular wall or cabinet door, to allow at least 1/4" space between the side of the oven and the wall/door.

For oven support, install 2x4's extending front to back flush with the bottom and the side of the opening. The supporting base must be well secured to the floor/ cabinet and level.

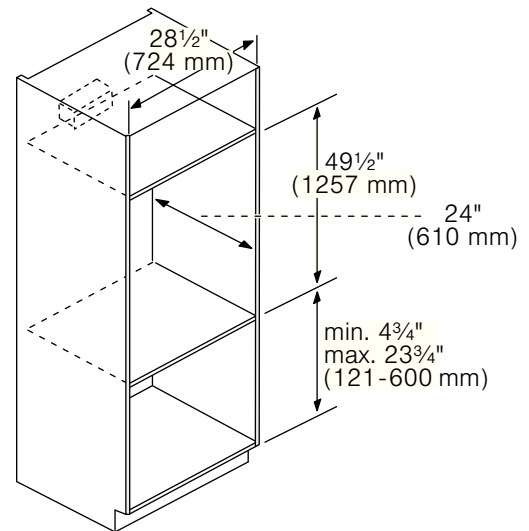
#### NOTICES

- The conduit box must be installed either above or below the unit. If the conduit box is installed below the unit, a 2 inch diameter hole or space is required between the back wall and the right rear of the 2x4 supports.
- The cabinet base must be flat and capable of supporting a weight of at least 390 lbs (177 kg).

### 30" Combo Oven with Microwave



### Wall Installation 30" Combo Oven with Microwave:



It is good practice, when oven is installed at the end of a cabinet run, adjacent to a perpendicular wall or cabinet door, to allow at least 1/4" space between the side of the oven and the wall/door.

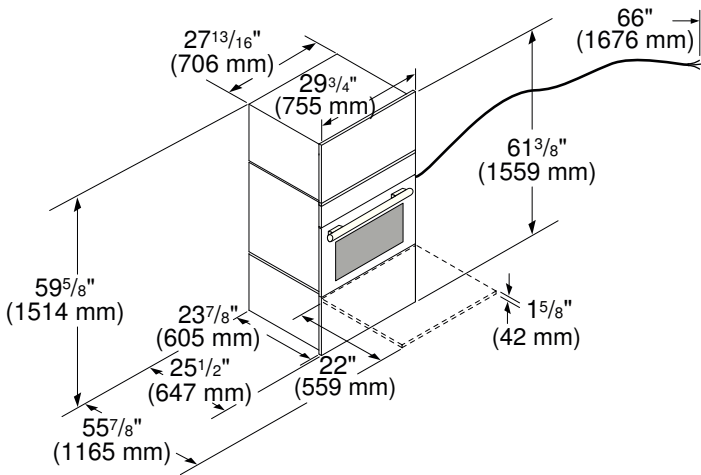
For oven support, install 2x4's extending front to back flush with the bottom and the side of the opening. The supporting base must be well secured to the floor/ cabinet and level.

#### NOTICES

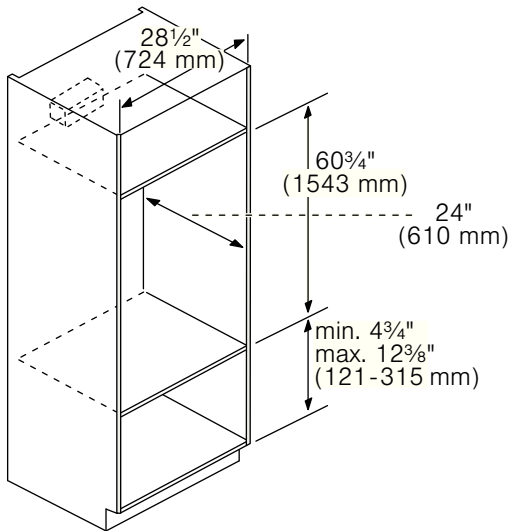
- The conduit box must be installed either above or below the unit. If the conduit box is installed below the unit, a 2 inch diameter hole or space is required between the back wall and the right rear of the 2x4 supports.
- The cabinet base must be flat and capable of supporting a weight of at least 310 lbs (141 kg).



### 30" Combo Oven with Microwave and Warming Drawer



Wall Installation 30" Combo Oven with Microwave and Warming Drawer:



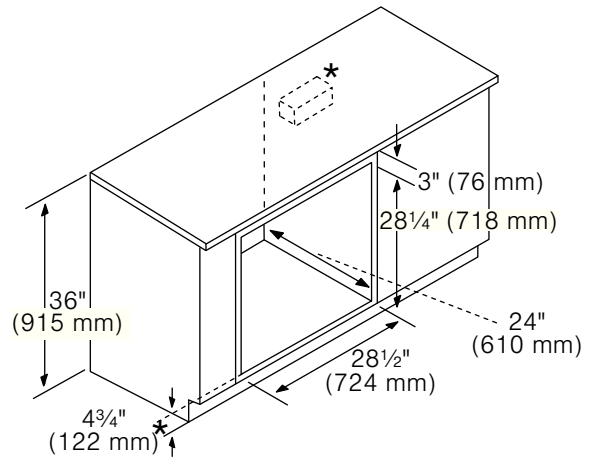
It is good practice, when oven is installed at the end of a cabinet run, adjacent to a perpendicular wall or cabinet door, to allow at least 1/4" space between the side of the oven and the wall/door.

For oven support, install 2x4's extending front to back flush with the bottom and the side of the opening. The supporting base must be well secured to the floor/ cabinet and level.

#### NOTICES

- The conduit box must be located above the unit to facilitate connecting and servicing.
- The cabinet base must be flat and capable of supporting a weight of at least 429 lbs (195 kg).

### Dimensions for 30" Under-Counter Units



\* Includes 3/4" (19 mm) base plate. For single ovens installed under a cabinet, the junction box should be located to the right of the unit within range of the power cord.

It is good practice, when oven is installed at the end of a cabinet run, adjacent to a perpendicular wall or cabinet door, to allow at least 1/4" space between the side of the oven and the wall/door.

For oven support, install 2x4's extending front to back flush with the bottom and the side of the opening. The supporting base must be well secured to the floor/ cabinet and level.

**Note:** The cabinet base must be flat and capable of supporting a weight of at least 212 lbs. (96 kg).

---

# THERMADOR® Support

## Service

We realize that you have made a considerable investment in your kitchen. We are dedicated to supporting you and your appliance so that you have many years of creative cooking.

Please don't hesitate to contact our STAR® Customer Support Department if you have any questions or in the unlikely event that your THERMADOR® appliance needs service. Our service team is ready to assist you.

### USA

800-735-4328

[www.thermador.com/support](http://www.thermador.com/support)

### Canada

800-735-4328

[www.thermador.ca](http://www.thermador.ca)

## Parts and Accessories

Parts, filters, descalers, stainless steel cleaners and more can be purchased in the THERMADOR® eShop or by phone.

### USA

[www.thermador-eshop.com](http://www.thermador-eshop.com)

### Canada

Marcone 800-287-1627

or

Reliable Parts 800-663-6060

# Table de Matières

<b>CONSIGNES DE SÉCURITÉ IMPORTANTES</b> .....	<b>20</b>	<b>Installation du four</b> .....	<b>24</b>
Sécurité de manipulation de l'appareil.....	20	Pour une installation optimale .....	24
Codes et normes de sécurité.....	20	Retrait de la porte du four .....	24
Sécurité électrique.....	20	Mise en place du four dans l'ouverture de l'armoire....	26
Sécurité apparentée concernant l'équipement.....	20	Remettre la porte .....	27
Transport .....	20	Combinaison et ajustement de la bordure des unités micro-ondes.....	27
<b>Préparation</b> .....	<b>21</b>	<b>Test de vérification</b> .....	<b>28</b>
Avant de commencer .....	21	<b>Dépannage</b> .....	<b>28</b>
<b>Aide-mémoire pour l'installation</b> .....	<b>21</b>	Avant d'appeler le service de dépannage.....	28
<b>Exigences en matière de dimensions et d'armoire ...</b>	<b>22</b>	Plaque signalétique .....	28
<b>Pour enlever l'emballage</b> .....	<b>22</b>	<b>Dimensions de l'appareil et de la découpe des armoires</b> .....	<b>29</b>
Déplacement de emballage gauche des supports.....	22	Dimensions pour les unités installées au mur de 27 po (68,5 cm).....	29
Déplacement de emballage droite des supports...	22	Appareils de 27 po montés sous le plan de travail .....	30
<b>Installation électrique</b> .....	<b>23</b>	Dimensions pour les unités installées au mur de 30 po (76,2 cm).....	31
Raccordement électrique.....	23	Appareils de 30 po montés sous le plan de travail .....	33
Connexion à quatre fils (Neutre non mis à la terre) ...	23	<b>Soutien THERMADOR®</b> .....	<b>34</b>
Connexion à trois fils .....	24	Dépannage .....	34
		Pièces et accessoires .....	34

Cet appareil électroménager de THERMADOR®  
est fait par BSH Home Appliances Ltd.  
6696 Financial Drive, Unit 3  
Mississauga, ON L5N 7J6

Question ?

1-800-735-4328

[www.thermador.ca](http://www.thermador.ca)

Nous attendons de vos nouvelles.

# ⚠ CONSIGNES DE SÉCURITÉ IMPORTANTES

## LIRE ET CONSERVER CES CONSIGNES

### AVERTISSEMENT

si les informations de ce manuel ne sont pas suivies à la lettre, un incendie ou un choc électrique peuvent se produire et sont susceptibles de causer des dommages matériels ou des lésions corporelles.

### AVERTISSEMENT

ne pas réparer ni remplacer des pièces de l'appareil à moins que cela ne soit expressément recommandé dans le manuel. Toute installation, réparation ou maintenance inadéquate peut entraîner des blessures ou des dommages matériels. Consulter ce manuel pour obtenir des conseils sur la façon de procéder. Tous les travaux d'entretien doivent être confiés à un technicien qualifié.

### Sécurité de manipulation de l'appareil

Ne pas soulever l'appareil par la poignée de la porte. Enlever la porte pour faciliter la manipulation et l'installation de l'appareil. Voir les instructions du Manuel d'utilisation et d'entretien.

Cet appareil est lourd et il faut au moins deux personnes ou l'équipement approprié pour le déplacer.

Les surfaces cachées peuvent comporter des arêtes vives. Faites attention en étendant le bras derrière l'appareil ou en dessous.

### Codes et normes de sécurité

Cet appareil est conforme à la version la plus récente de l'une ou plusieurs des normes suivantes :

- CAN/CSA C22.2 No. 61 - Cuisinières pour usage ménager (Household Cooking Ranges)
- UL 858 - Cuisinières électriques domestiques (Household Electric Ranges)
- CAN/CSA C22.2 No. 150 - Fours à micro-ondes (Microwave Ovens)
- UL 923 - Appareils de cuisson à micro-ondes (Microwave Cooking Appliances)
- CSA C22.2 No. 64 - Appareils de cuisson domestique et de chauffage des liquides (Household Cooking and Liquid-Heating Appliances)
- UL 1026 - Appareils électriques domestiques pour la cuisson et la préparation des aliments (Electric Household Cooking and Food Serving Appliances)

Il incombe au propriétaire et à l'installateur de déterminer si des exigences et/ou normes additionnelles s'appliquent pour des installations spécifiques.

### Sécurité électrique

Avant de brancher le cordon électrique, vérifier que toutes les commandes sont dans la position "OFF" (Arrêt).

S'il y a lieu, conformément au Code national de l'électricité (ou au Code canadien de l'électricité), cet appareil doit être installé sur un circuit de dérivation séparé.

**Installateur** - indiquer au propriétaire l'emplacement du disjoncteur ou du fusible. Identifier sa position pour pouvoir le retrouver facilement plus tard.

**Important** - Conserver ces instructions pour l'usage de l'inspecteur local en électricité.

Avant l'installation, couper le courant au panneau de service. Verrouiller le panneau de service pour éviter que le courant ne soit accidentellement rétabli.

Pour plus d'informations, se reporter à la plaque signalétique. Pour connaître l'emplacement de la plaque signalétique, voir "Plaque signalétique" sous "Entretien".

S'assurer que l'appareil est adéquatement installé et mis à la terre par un technicien qualifié. L'installation, les connexions électriques et la mise à la terre doivent être conformes à tous les codes applicables.

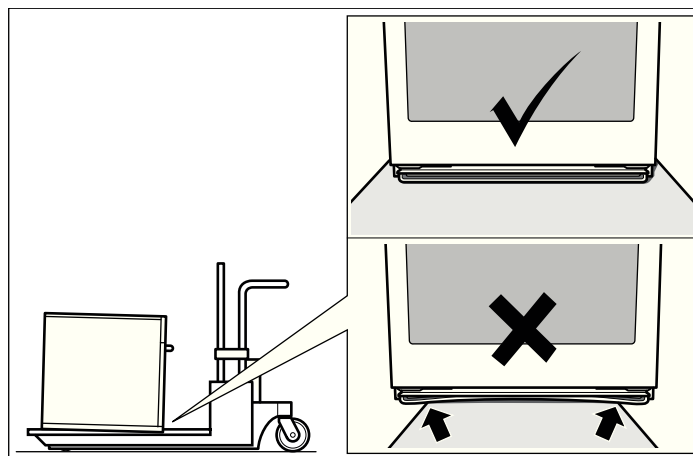
### Sécurité apparentée concernant l'équipement

Retirer le ruban adhésif et l'emballage avant d'utiliser l'appareil. Détruire l'emballage après avoir déballé l'appareil. Ne jamais laisser les enfants jouer avec les matériaux de conditionnement.

Ne jamais modifier ni altérer la configuration de l'appareil. Par exemple, ne pas retirer les pieds de nivellement, les panneaux, les couvercles de câblage ou les fixations/vis antibasculement.

### Transport

Pour éviter tout dommage à l'évent du four, utiliser la méthode de transport illustrée ci-dessous.

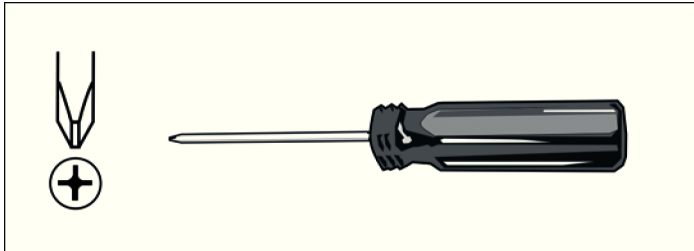


# Préparation

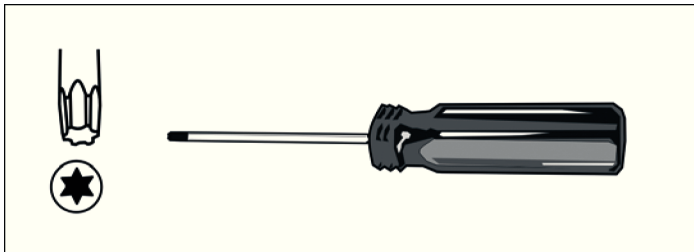
## Avant de commencer

### Outils et pièces nécessaires

- Tournevis cruciforme #2 (pour installer les vis de la bordure).



- Tournevis cruciforme T20 (pour retirer les vis de l'emballage).



- Mèche de 1/8 po (3,18 mm) et perceuse (pour percer les avant-trous destinés aux vis de la bordure).
- Ruban à mesurer.
- Le port de gants et d'un chandail à manches longues est suggéré (pour protéger les mains et les bras des égratignures).

### Pièces comprises

Vis cruciforme (6).

### Exigences électriques

La prise doit être correctement reliée à la terre selon tous les codes applicables.

## Aide-mémoire pour l'installation

Utiliser cet aide-mémoire pour vérifier si vous avez complété chaque étape du processus d'installation. Ceci permet d'éviter certaines erreurs courantes.

Consulter les instructions détaillées pour chaque étape dans les sections suivant cet aide-mémoire.

1. Avant l'installation, assurez-vous que les dimensions de l'armoire correspondent à celles du four et que les connexion électriques nécessaires sont présentes. S'assurer que le conduit électrique du four atteint le point de connexion.  
*Section : Exigences en matière de dimensions et d'armoire*
2. Placer le four devant l'ouverture de l'armoire.  
*Section : Retrait de l'emballage*
3. Retirer l'emballage en laissant le four dans la partie inférieure pour éviter d'endommager le plancher.  
*Section : Retrait de l'emballage*
4. Retirez les vis T20 qui maintiennent l'unité à la base de l'emballage en carton (au moyen d'un tournevis à pointe cruciforme).  
*Section : Retrait de l'emballage*
5. Retirer la ou les portes du four.  
*Section : Installation du four, « Retrait de la porte du four »*

6. Soulever l'unité à plusieurs pour la placer dans l'ouverture de l'armoire.  
*Section : Installation du four, « Mise en place du four dans l'ouverture de l'armoire »*
  7. Glisser l'unité jusqu'à ce qu'elle soit bien en place.  
*Section : Installation du four, « Mise en place du four dans l'ouverture de l'armoire »*
  8. Fixer le four dans l'ouverture de l'armoire à l'aide des vis fournies.  
*Section : Installation du four, « Mise en place du four dans l'ouverture de l'armoire »*
  9. Remettre la ou les portes en place.  
*Section : Installation du four, « Mise en place du four dans l'ouverture de l'armoire »*
- Lire et suivre les consignes contenues dans ce manuel en tout temps.

# Exigences en matière de dimensions et d'armoire

Les exigences varient selon le modèle à installer. Référez-vous au chapitre "Dimensions d'armoire requises" à la fin du manuel pour obtenir les détails concernant votre modèle.

## Tous les modèles exigent :

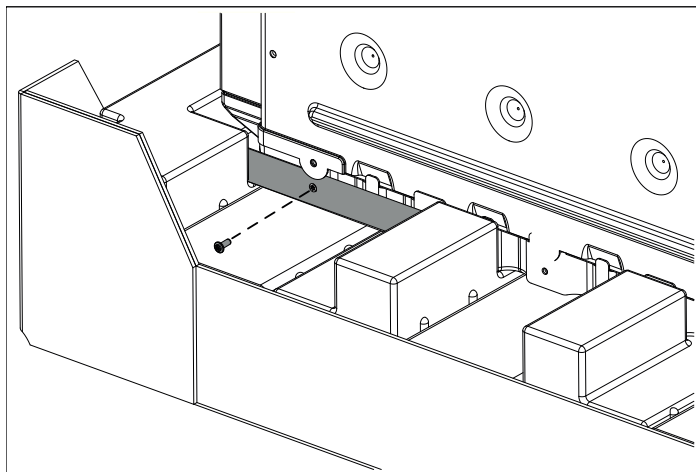
- Un espace de ¼ po (6.4 mm) entre la paroi latérale du four et le mur adjacent ou la porte de l'armoire s'il l'unité est installée à la fin d'une série d'armoire.
- Un espace de 2x4 pi (60x122 cm) parfaitement ajusté au bas et au côté de l'ouverture pour soutenir le four. La base de soutien doit être bien arrimée au plancher et à l'armoire et doit être nivelée.
- La boîte de connexion électrique doit être située au dessus de l'unité pour faciliter le branchement et l'alimentation.
- La base de l'armoire doit être plane et capable de supporter le poids de votre four en usage (le poids varie selon les modèles et peut atteindre 429 lb (195 kg)). Pour connaître le poids de votre modèle, référez-vous au chapitre "Dimensions d'armoire requises" à la fin du présent manuel d'installation.

## Pour enlever l'emballage

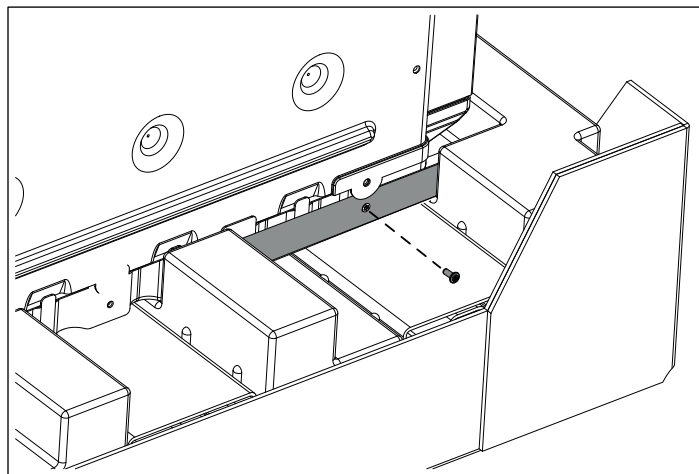
**Remarque :** Pour éviter d'endommager le plancher, laissez l'unité dans la portion inférieure de l'emballage jusqu'au moment de le placer dans l'ouverture de l'armoire. Ne pas faire glisser l'unité sur le plancher. Différents emballages sont employés selon les modèles. Les supports peuvent avoir l'air différents. Les supports restent dans la base de l'emballage.

1. Couper les attaches à l'extérieur de la boîte.
2. Enlever la boîte de carton.
3. Retirer le carton sur le dessus et sur les côtés ainsi que les pièces d'arrimage en styromousse.
4. Placez le four devant l'armoire à l'endroit où il sera installé.
5. Dévisser les supports de gauche et de droite de l'unité tel qu'indiqué dans la section « Retrait des supports de gauche et de droite de l'emballage ».

## Déplacement de emballage gauche des supports



## Déplacement de emballage droite des supports



# Installation électrique

Tous les modèles de four figurant sur la couverture avant ont deux caractéristiques assignées et sont conçus pour être branchés sur une source d'alimentation électrique monophasée, à 4 fils, de 60 Hz, 208 ou 240 V.C.A.

Modèle	Circuit requis
ME301JP, ME301JS, MED271JS, MED301JS, MED301JP, POD301J	30 AMP
ME302JP, ME302JS, MED272JS, MED302JS, MED302JP, PODC302J	40 AMP
MEDMC301JS, MEDMC301JP, MEDMCW71JS, MEDMCW31JP, MEDMCW31JS, PODM301J, PODMW301J	50 AMP

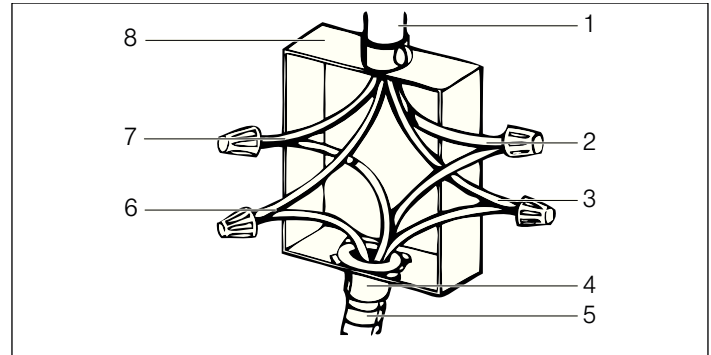
L'appareil doit être alimenté en courant alternatif monophasé à 4 fils. Installer une boîte de connexions appropriée (non fournie). Un raccord de conduit aux dimensions appropriées répertorié par UL doit être utilisé pour fixer correctement le conduit à la boîte de raccordement.

**AVIS :** les codes locaux peuvent différer. L'installation, les branchements électriques et la mise à la terre doivent être conformes à tous les codes locaux applicables. Si les codes locaux autorisent une mise à la terre par un fil électrique neutre, brancher le fil neutre blanc et le fil de terre nu du four au fil d'alimentation électrique neutre blanc.

## Raccordement électrique

La connexion de circuit terminal à 4 fils est recommandée, mais là où les codes le permettent, la connexion à 3 fils est acceptable.

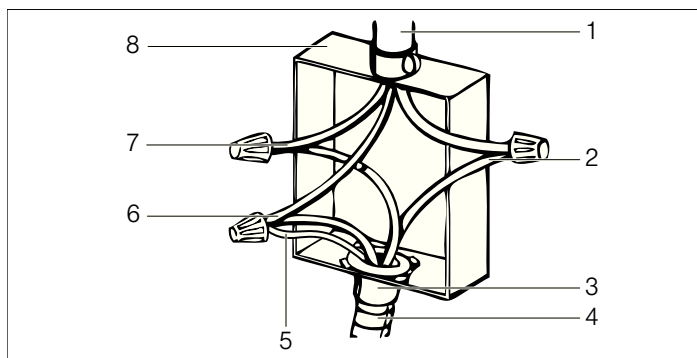
### Connexion à quatre fils (Neutre non mis à la terre)



1	Câble de l'alimentation
2	Fils blancs
3	Fils noirs
4	Connecteur de conduit listé U.L.
5	Câble du four
6	Fils verts ou dénudés
7	Fils rouges
8	Boîte de jonction

- Brancher le fil rouge du four au fil d'alimentation électrique rouge (fil chaud).
- Brancher le fil noir du four au fil d'alimentation électrique noir (fil chaud).
- Brancher le fil neutre blanc du four au fil neutre blanc de l'alimentation électrique (pas le fil de terre nu).
- Brancher le fil de terre nu du four au fil de terre nu de l'alimentation électrique.

## Connexion à trois fils



1	Câble du bloc d'alimentation
2	Fils noirs
3	Raccord du conduit U.L.
4	Câble du four
5	Fil nu ou vert

6	Fils blancs
7	Fils rouges
8	Boîte de connexion

- Raccordez le fil rouge du four au fil rouge d'alimentation électrique.
- Raccordez le fil noir du four au fil noir d'alimentation électrique.
- Raccordez le fil de mise à terre et le fil blanc du four au fil blanc (ou gris) neutre ou au fil de mise à terre nu ou vert d'alimentation électrique.

Le conduit pivote à l'endroit où il est raccordé au four. Faites pivoter le conduit vers le haut (ou vers le bas) et dirigez-le vers le trou de l'armoire pour le brancher à la boîte de connexion.

Pour maintenir l'alimentation, le conduit plié ne doit pas être raccourci et devrait être orienté de façon à pouvoir être retiré temporairement du four.

## Installation du four

**AVIS :** Avant d'installer le four, prendre soin de vérifier la dimension du coffret et les raccordements électriques.

### Pour une installation optimale

Deux personnes peuvent avoir de la difficulté à manipuler le four pendant l'installation. Il est recommandé qu'au moins trois personnes soulèvent l'unité pour la mettre en place.

Le retrait de la porte pendant l'installation (pour avoir une meilleure prise et réduire considérablement le poids de l'unité) peut poser problème à moins de suivre attentivement les consignes détaillées à cet effet. Pour faciliter l'installation, veuillez prendre le temps de lire les consignes et suivez-les rigoureusement.

## Retrait de la porte du four

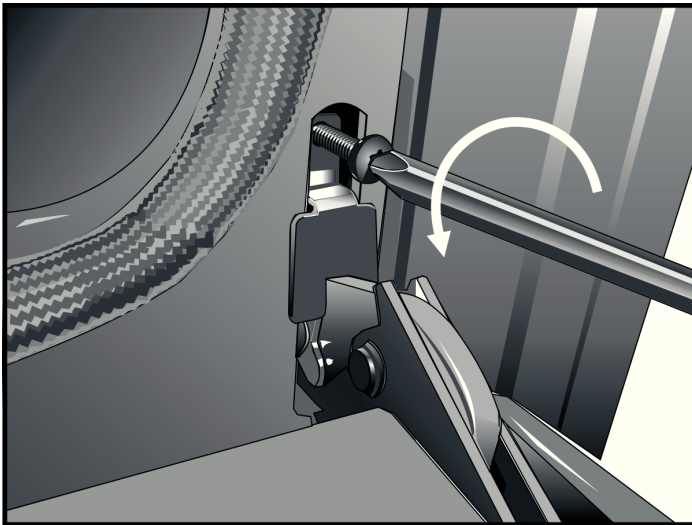
### ▲ ATTENTION

- Avant d'enlever la porte, s'assurer que le four est froid et que le courant qui l'alimente a été coupé. Le non-respect de cette précaution pourrait entraîner un choc électrique ou des brûlures.
- La porte du four est lourde et certaines parties sont fragiles. Utilisez les deux mains pour l'enlever. Le devant de la porte est en verre. Manipuler avec précautions pour éviter les cassures.
- Saisir uniquement les côtés de la porte. Ne prenez pas la poignée, car elle peut osciller dans la main et causer des dommages ou des blessures.
- Si la porte du four n'est pas saisie fermement et correctement, il y a un risque de lésion corporelle ou de dommage au produit.
- Pour éviter toute blessure causée par l'enclenchement soudain du support charnière, s'assurer que les deux leviers sont bien enclenchés avant d'enlever la porte. En outre, ne forcez la porte pour l'ouvrir ou la fermer, car la charnière pourrait s'endommager et vous pourriez vous blesser.
- Après avoir démonté la porte, ne pas la poser sur des objets acérés ou pointus car ceux-ci risquent de briser la vitre. Disposer la porte sur une surface plane et lisse afin qu'elle ne risque pas de tomber.



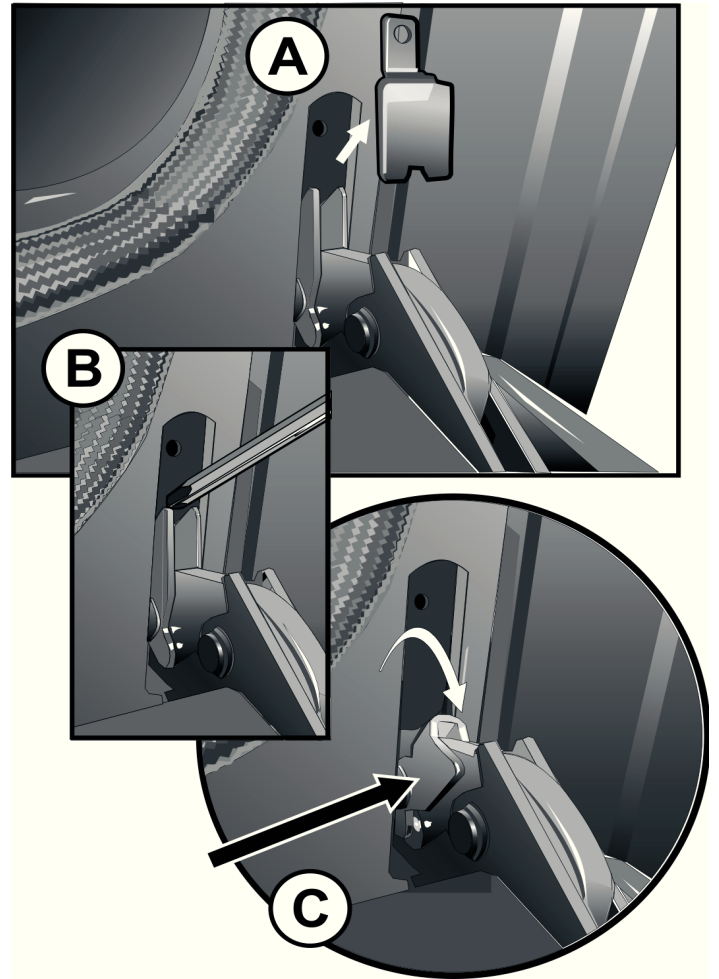
### Retrait de la porte du four :

1. Lire la mise en garde précédente avant de commencer à enlever la porte.
2. Réserver un endroit à proximité pour déposer la porte après l'avoir retirée où elle ne tombera pas et où personne ne lui marchera dessus. Déposer la porte à plat sur une couverture ou une surface matelassée.
3. Ouvrir la porte du four jusqu'à ce que celle-ci soit parallèle au plancher. La porte est dotée de ressorts puissants qui aident à la fermer. Il est nécessaire de mettre les genouillères dans la position requise pour que les ressorts ne soient pas sous tension.
4. Pour accéder aux genouillères de verrouillage, retirer les plaques de verrouillage à l'aide d'un tournevis cruciforme T20.



5. Après avoir retiré la vis, (A) soulever la plaque de verrouillage et la faire pivoter pour l'enlever. Répéter l'opération pour l'autre charnière. Conserver les plaques de verrouillage et les vis pour réinstaller la porte.

6. Abaisser les leviers de verrouillage vers la porte, aussi loin que possible. (B) Utiliser la pointe d'un tournevis pour abaisser les leviers de verrouillage plus facilement. (C) Vérifier que les deux leviers de verrouillage soient en position verrouillée, c'est-à-dire complètement abaissés contre la porte.

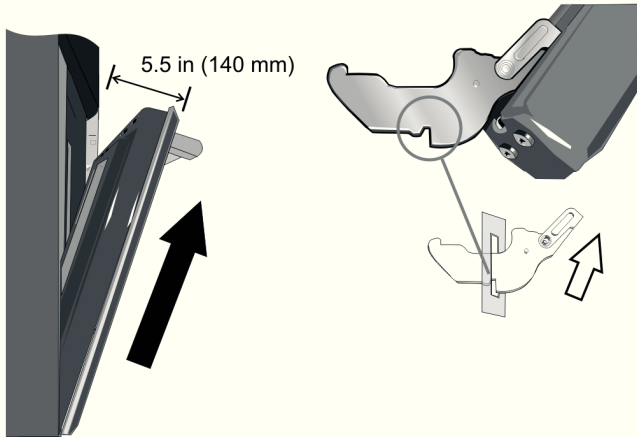


7. Avec les genouillères bien en place, tel que montré dans l'illustration, fermer doucement la porte du four jusqu'à ce que la face avant de la porte se trouve à 5 1/2 pouces (140 mm) du panneau de contrôle.
8. Empoigner fermement la porte à deux mains. Le poids de la porte est de plus de 30 livres (13 kilos).

#### ▲ ATTENTION

Pour éviter les dommages, empêcher la porte d'entrer en contact avec le panneau de contrôle en retirant ou en réinstallant la porte.

**9. Soulever la porte et la tirer vers le haut tel qu'indiqué dans l'illustration suivante.** L'encoche de la charnière se dégagera du cadre de la porte du four. Lorsque les deux charnières de la porte du four sont dégagées, soulever la porte pour l'enlever de l'unité.



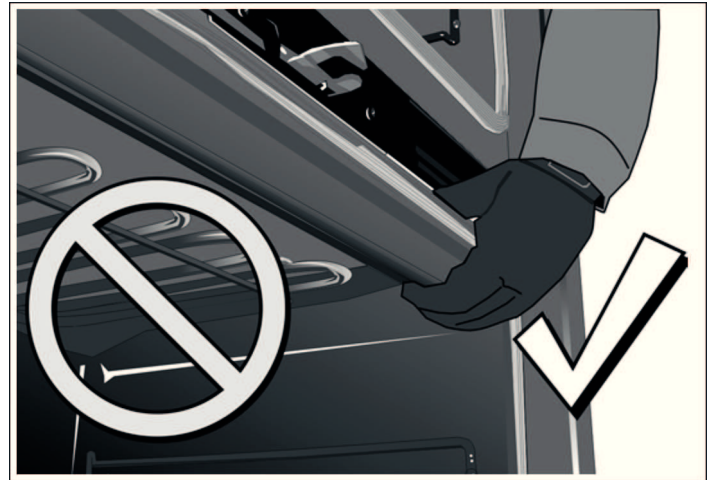
**10.** Déplacer la porte avec précaution vers un endroit sécuritaire pour la protéger des dommages jusqu'au moment de la remettre en place.

## Mise en place du four dans l'ouverture de l'armoire

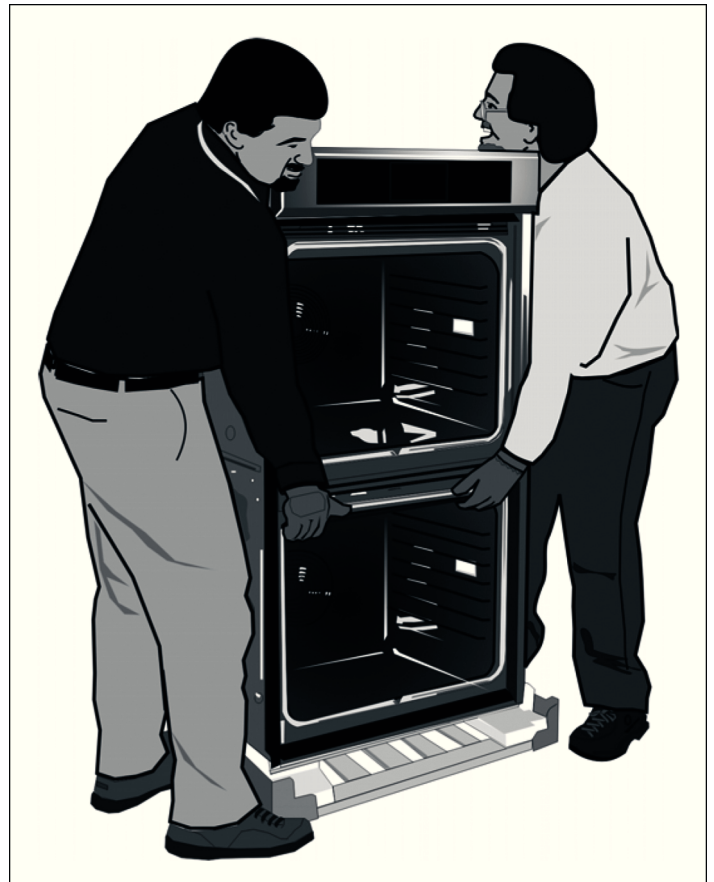
### ⚠ ATTENTION

- Pour éviter d'endommager le plancher, laissez l'unité dans la partie inférieure de l'emballage jusqu'au moment de la placer dans l'ouverture de l'armoire. Empêchez la base en métal de l'unité d'entrer en contact avec le plancher. Consultez les consignes de manutention pour plus de détails.
- Pour ne pas endommager la porte (et/ou le tiroir-réchaud du devant pour les unités combinées), évitez de soulever, tirer ou pousser l'unité par la poignée de la porte du four ou la poignée du tiroir-réchaud pendant l'installation.
- Il est recommandé de porter des gants et un chandail à manches longues pour protéger les mains et les avant-bras des écorchures et des égratignures qui peuvent survenir en soulevant l'unité. Il vaut mieux enlever les montres et les bijoux et porter des souliers de travail au cours de l'installation pour protéger vos pieds.

Lorsque vous soulevez l'unité pour le mettre en place, évitez de saisir l'élément supérieur pour ne pas l'endommager. Consultez l'illustration suivante pour voir comment soulever l'unité.



**1.** L'unité dans la base de l'emballage doivent être placés près de l'ouverture de l'armoire et devant celle-ci avant de la soulever pour la mettre en place.



**2.** Soulevez ou glissez l'unité dans l'ouverture de l'armoire sans que la base n'entre en contact avec le plancher.

3. Guidez l'unité dans l'ouverture de façon à ce qu'elle reste droite. Poussez l'unité au fond de l'armoire jusqu'à ce que la bordure du four soit à environ 2 pouces du mur de l'armoire. Attention de ne pas gêner le boyau qui se trouve entre le four et le mur du fond de l'armoire. Si nécessaire, faites passer le boyau dans le trou d'accès de l'armoire ou du mur s'il empêche de pousser l'unité au fond. Le four devrait être droit et ne pas dévier.
4. Poussez l'unité au fond de l'armoire jusqu'à ce que la bordure avant soit ajustée tout contre l'avant de l'armoire.
5. Installez les vis fournies dans les trous de mise en perce de la bordure. (2 vis pour les fours simples, 4 trous pour les fours doubles et combinés). Il est suggéré des trous de guidage pour les vis de la bordure.
6. Remettre la ou les porte(s) en place en suivant les consignes suivantes.

## Remettre la porte

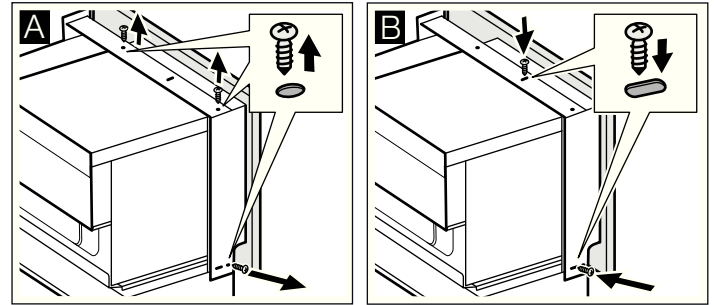
### Installation de la porte du four :

1. Tenir fermement la porte à deux mains dans un angle de 30° devant le four.
2. Guider les charnières de la porte dans les fentes situées sur le cadre du four.
3. Faire glisser la porte jusqu'à ce que les encoches des charnières s'engagent dans le cadre du four. Conseil : Il peut s'avérer nécessaire de secouer légèrement la porte pour bien la mettre en place.
4. Ouvrir complètement la porte pour qu'elle ait un angle de 90°. Si la porte ne s'ouvre pas complètement jusqu'à faire un angle de 90°, les charnières ne sont pas correctement engagées. La porte devrait être droite et ne pas dévier.
5. Pousser les genouillères en position déverrouillée, c'est-à-dire orientée vers la cavité du four.
6. Réinstaller les plaques de verrouillage et les vis (voir la procédure de retrait de la porte ci-haut).
7. Fermer doucement la porte. Elle devrait fermer complètement. Ouvrir et fermer lentement la porte plusieurs fois pour s'assurer qu'elle est correctement et solidement installée.

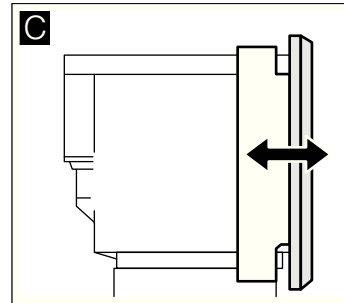
## Combinaison et ajustement de la bordure des unités micro-ondes

Pendant l'installation de l'unité combinée comprenant un four encastré, il peut être nécessaire d'ajuster la bordure du four micro-ondes pour que celle-ci soit bien alignée avec le devant de l'armoire. Déterminez s'il est nécessaire d'aligner la bordure du four micro-ondes pour qu'elle soit bien ajustée contre le devant de l'armoire.

1. Mesurez la dimension de l'espace à combler et notez de quel côté il se trouve.
2. Glissez le four encastré hors de l'armoire sur une distance de 4 à 5 po (10 à 13 cm) pour avoir assez d'espace pour entrer les vis d'ajustement.
3. Retirez les vis (A) et déplacez-les dans les fentes de réglage de la position (B). Ne serrez pas les vis.



4. Faites glisser la bordure jusqu'à la position désirée (C).



5. Serrez les vis maintenant la bordure en place.
6. Remettez le four en place en le faisant glisser dans l'armoire et vérifiez si l'alignement de la bordure du four micro-ondes vous convient. Sinon, répétez l'opération.

---

## Test de vérification

1. Activez l'alimentation électrique au disjoncteur.
2. Vérifiez l'alimentation électrique de la boîte de connexion à l'aide d'un voltmètre.  
Pour les installations de 240 V, la lecture entre les fils rouge et noir (phase à phase) devrait être de 220 à 240 volts.  
Pour les installations de 208 V, la lecture entre les fils rouge et noir (phase à phase) devrait être de 190 à 208 volts.
3. Test du mode du four.  
Sélectionnez le mode cuisson. Référez-vous au manuel d'utilisation et d'entretien pour les instructions détaillées.
4. Assurez-vous que la lumière du four s'allume et que le préchauffage du four commence.
5. Vérifiez si la porte se verrouille.  
Réglez le mode autonettoyant. La porte est bien verrouillée quand un cadenas s'affiche à l'écran.
6. Si vous installez un four double, testez aussi la deuxième unité.
7. Si le résultat d'un des tests ne correspond pas à celui indiqué ci-haut, contactez le service de dépannage. L'installation est maintenant terminée.

---

## Dépannage

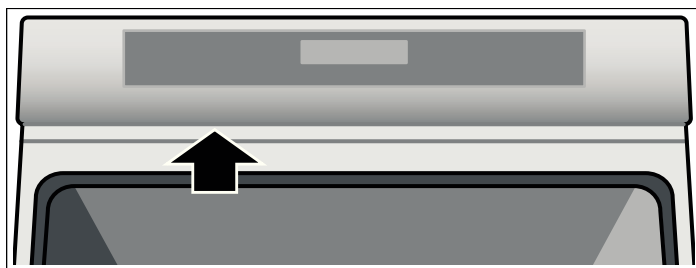
### Avant d'appeler le service de dépannage

Pour des informations sur le dépannage, se reporter au Manuel d'utilisation et d'entretien. Consulter la garantie figurant dans le Manuel d'utilisation et d'entretien.

Pour contacter un technicien de dépannage, voir les coordonnées sur la couverture avant du manuel. Lorsque vous téléphonez, soyez prêt à fournir les informations imprimées sur la plaque signalétique de votre produit.

### Plaque signalétique

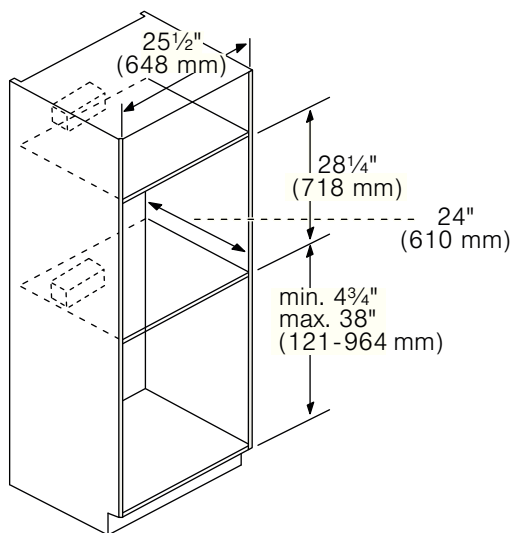
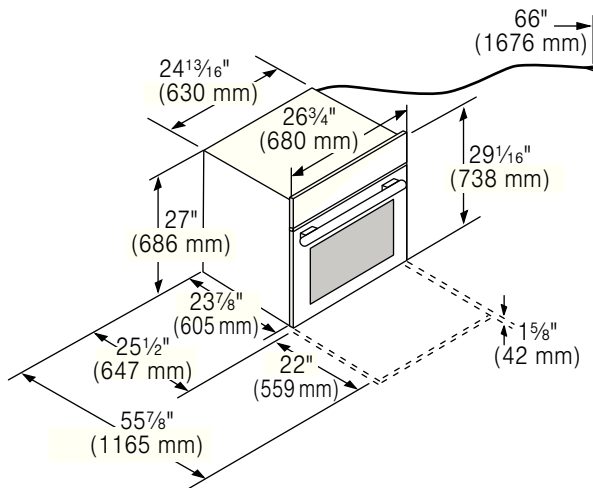
La plaque signalétique comporte le numéro de modèle et le numéro de série. Se reporter à la plaque signalétique de l'appareil électroménager pour faire une demande de dépannage. La plaque signalétique se trouve sur la partie inférieure du tableau de commande:



# Dimensions de l'appareil et de la découpe des armoires

## Dimensions pour les unités installées au mur de 27 po (68,5 cm)

### Four unique de 27 po



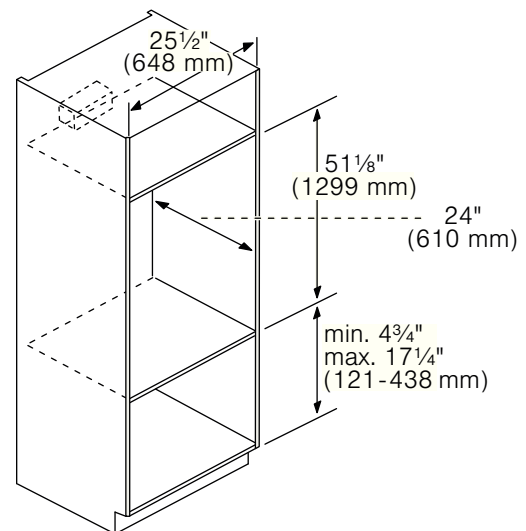
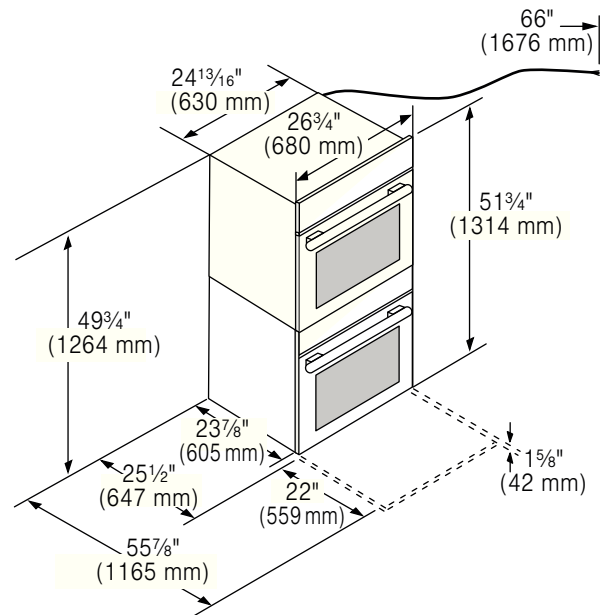
Lorsque le four est installé à l'extrémité d'une série de placards, adjacent à un mur perpendiculaire ou à une porte de placard, il est recommandé de laisser au moins 1/4 po (0,6 cm) d'espace entre la paroi du four et le mur ou la porte.

Pour le soutien du four, installer des montants de 2 pouces sur 4 qui s'étendent de l'avant à l'arrière et viennent affleurer le fond et le côté de l'ouverture. Le socle de soutien doit être bien fixé au plancher ou au coffret et être de niveau.

### AVIS

- la boîte de connexions doit être installée soit au-dessus, soit au-dessous de l'appareil. Si la boîte de connexions est installée sous l'appareil, un espace ou une ouverture de 2 po (5,8 cm) de diamètre est requis entre le mur arrière et la partie arrière droite des montants de support de 2 pouces sur 4.
- Le socle du coffret doit être plat et apte à soutenir un poids d'au moins 193 lb (87 kg).

### Fours doubles de 27 po



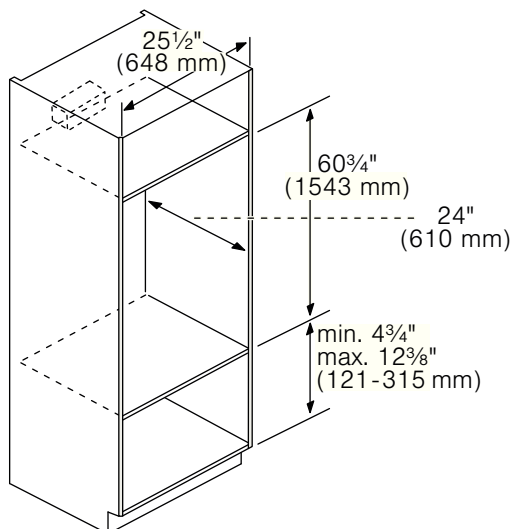
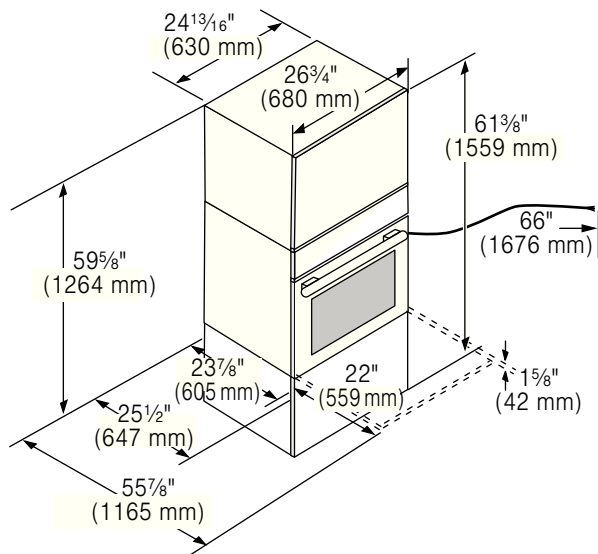
Lorsque le four est installé à l'extrémité d'une série de placards, adjacent à un mur perpendiculaire ou à une porte de placard, il est recommandé de laisser au moins 1/4 po (0,6 cm) d'espace entre la paroi du four et le mur ou la porte.

Pour le soutien du four, installer des montants de 2 pouces sur 4 qui s'étendent de l'avant à l'arrière et viennent affleurer le fond et le côté de l'ouverture. Le socle de soutien doit être bien fixé au plancher ou au coffret et être de niveau.

#### AVIS

- la boîte de connexions doit être située au-dessus de l'appareil pour faciliter les branchements et l'entretien.
- Le socle du coffret doit être plate et apte à soutenir un poids d'au moins 361 lb (164 kg).

#### Four combiné avec micro-ondes et tiroir-réchaud de 27 po



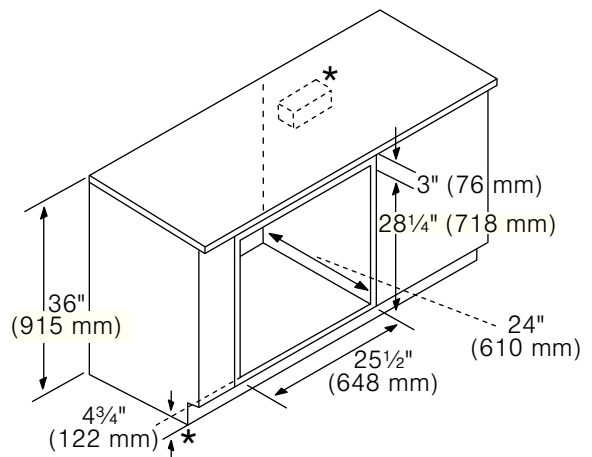
Lorsque le four est installé à l'extrémité d'une série de placards, adjacent à un mur perpendiculaire ou à une porte de placard, il est recommandé de laisser au moins 1/4 po (0,6 cm) d'espace entre la paroi du four et le mur ou la porte.

Pour le soutien du four, installer des montants de 2 pouces sur 4 qui s'étendent de l'avant à l'arrière et viennent affleurer le fond et le côté de l'ouverture. Le socle de soutien doit être bien fixé au plancher ou au coffret et être de niveau.

**AVIS :** Le socle du coffret doit être plate et apte à soutenir un poids d'au moins 369 lb (167 kg).

Ce four intégré peut être installé au-dessous d'une surface de cuisson Thermador en autant qu'il n'y a pas de contact entre le bas de la surface de cuisson et le haut du four, à l'exception doit être d'au moins 1 po (voir les illustrations à la page 6).

#### Appareils de 27 po montés sous le plan de travail



\* Comprend un châssis de 3/4 po (19 mm). Pour les fours simples installés sous une armoire, la boîte de connexion doit être située à droite de l'unité à portée du cordon d'alimentation.

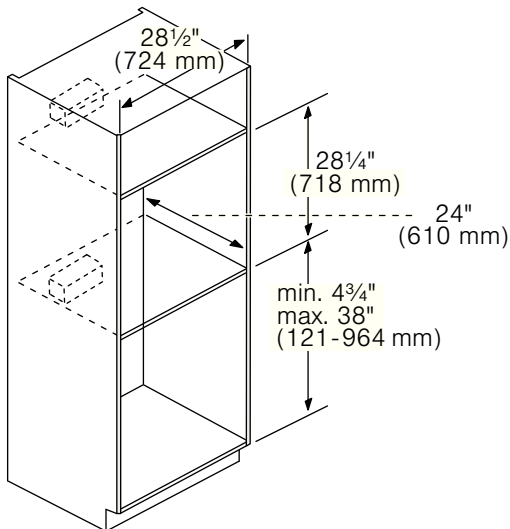
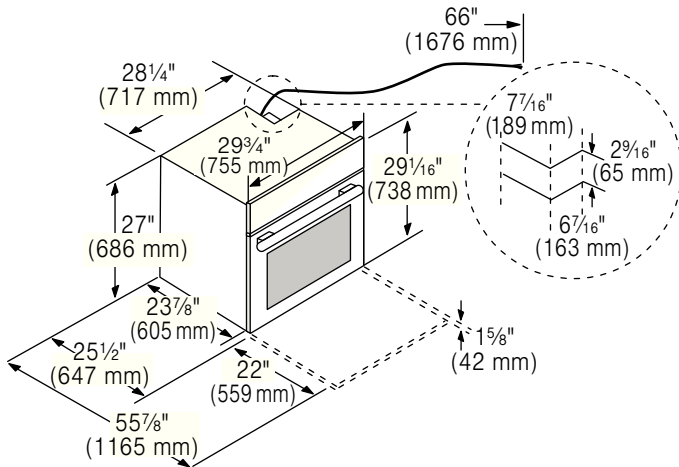
Lorsque le four est installé à l'extrémité d'une série de placards, adjacent à un mur perpendiculaire ou à une porte de placard, il est recommandé de laisser au moins 1/4 po (0,6 cm) d'espace entre la paroi du four et le mur ou la porte.

Pour le soutien du four, installer des montants de 2 pouces sur 4 qui s'étendent de l'avant à l'arrière et viennent affleurer le fond et le côté de l'ouverture. Le socle de soutien doit être bien fixé au plancher ou au coffret et être de niveau.

**Remarque :** La base de l'armoire doit être plane et capable de supporter un poids d'au moins 193 lb (87 kg).

## Dimensions pour les unités installées au mur de 30 po (76,2 cm).

### Four unique de 30 po



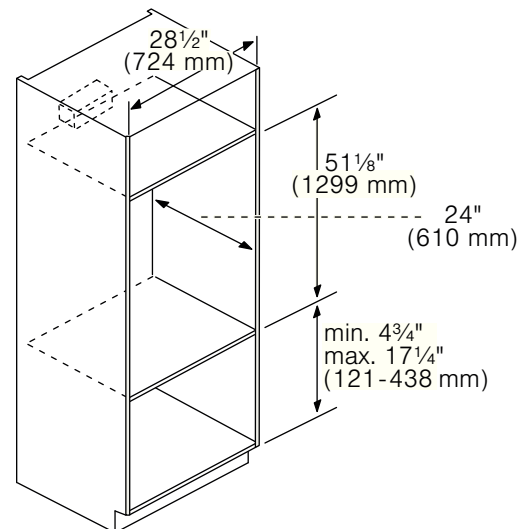
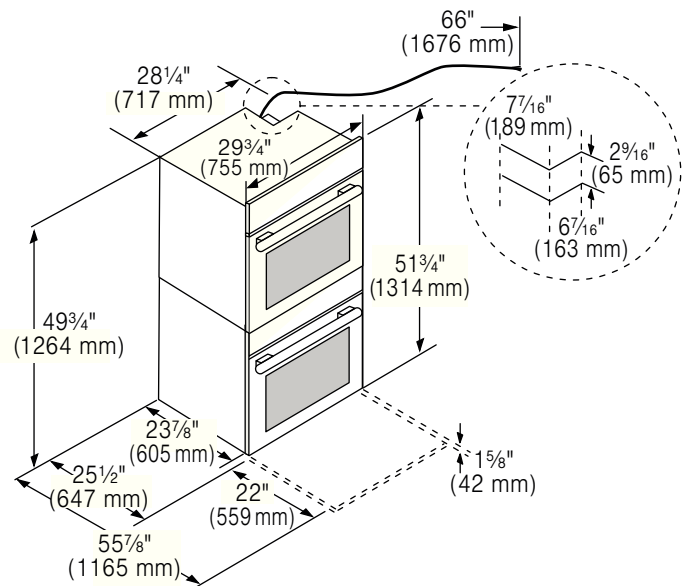
Lorsque le four est installé à l'extrémité d'une série de placards, adjacent à un mur perpendiculaire ou à une porte de placard, il est recommandé de laisser au moins 1/4 po (0,6 cm) d'espace entre la paroi du four et le mur ou la porte.

Pour le soutien du four, installer des montants de 2 pouces sur 4 qui s'étendent de l'avant à l'arrière et viennent affleurer le fond et le côté de l'ouverture. Le socle de soutien doit être bien fixé au plancher ou au coffret et être de niveau.

### AVIS

- la boîte de connexions doit être installée soit au-dessus, soit au-dessous de l'appareil. Si la boîte de connexions est installée sous l'appareil, un espace ou une ouverture de 2 po (5,8 cm) de diamètre est entre le mur arrière et la partie arrière droite des montants de support de 2 pouces sur 4.
- Le socle du coffret doit être plat et apte à soutenir un poids d'au moins 212 lb (96 kg).

### Fours doubles de 30 po



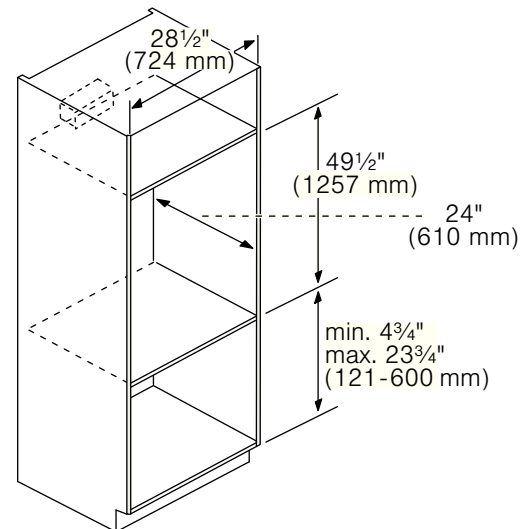
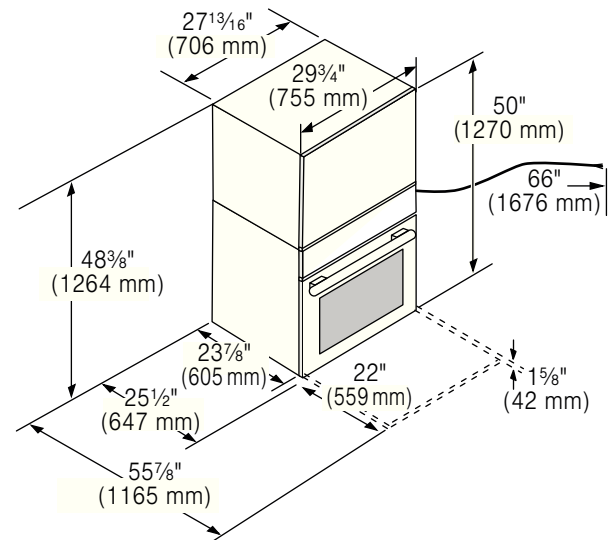
Lorsque le four est installé à l'extrémité d'une série de placards, adjacent à un mur perpendiculaire ou à une porte de placard, il est recommandé de laisser au moins 1/4 po (0,6 cm) d'espace entre la paroi du four et le mur ou la porte.

Pour le soutien du four, installer des montants de 2 pouces sur 4 qui s'étendent de l'avant à l'arrière et viennent affleurer le fond et le côté de l'ouverture. Le socle de soutien doit être bien fixé au plancher ou au coffret et être de niveau.

#### AVIS

- la boîte de connexions doit être installée soit au-dessus, soit au-dessous de l'appareil. Si la boîte de connexions est installée sous l'appareil, un espace ou une ouverture de 2 po (5,8 cm) de diamètre est entre le mur arrière et la partie arrière droite des montants de support de 2 pouces sur 4.
- Le socle du coffret doit être plat et apte à soutenir un poids d'au moins 390 lb (177 kg).

#### Four combiné avec micro-ondes de 30 po



Lorsque le four est installé à l'extrémité d'une série de placards, adjacent à un mur perpendiculaire ou à une porte de placard, il est recommandé de laisser au moins 1/4 po (0,6 cm) d'espace entre la paroi du four et le mur ou la porte.

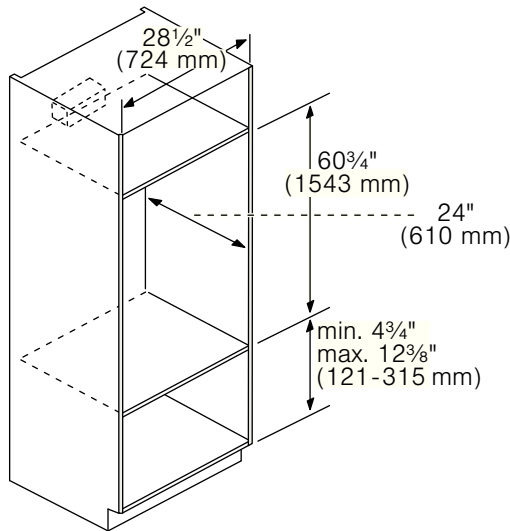
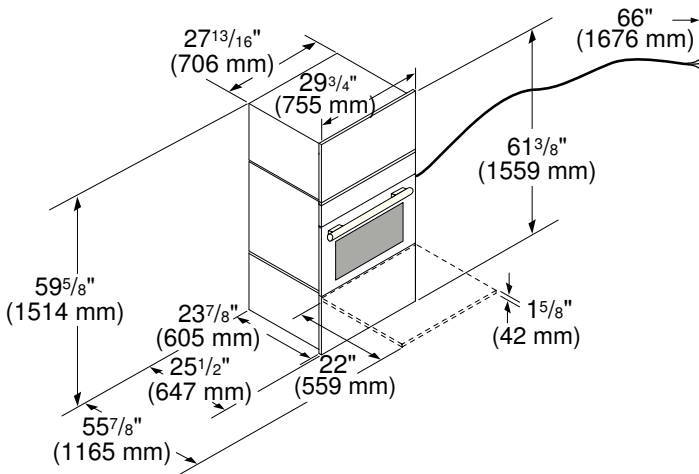
Pour le soutien du four, installer des montants de 2 pouces sur 4 qui s'étendent de l'avant à l'arrière et viennent affleurer le fond et le côté de l'ouverture. Le socle de soutien doit être bien fixé au plancher ou au coffret et être de niveau.

#### AVIS

- la boîte de connexions doit être installée soit au-dessus, soit au-dessous de l'appareil. Si la boîte de connexions est installée sous l'appareil, un espace ou une ouverture de 2 po (5,8 cm) de diamètre est entre le mur arrière et la partie arrière droite des montants de support de 2 pouces sur 4.
- Le socle du coffret doit être plat et apte à soutenir un poids d'au moins 310 lb (141 kg).



## Four combiné avec micro-ondes et tiroir-réchaud de 30 po



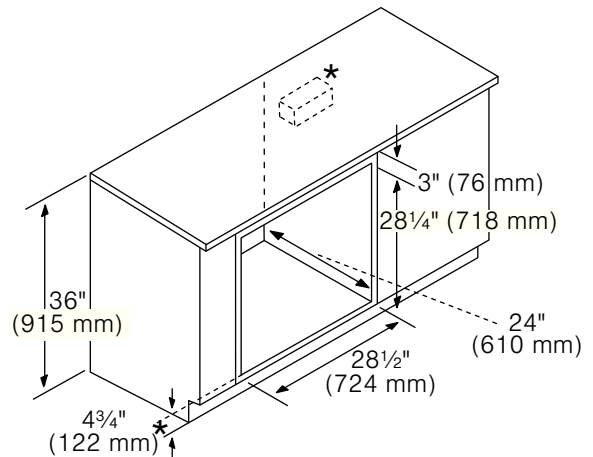
Lorsque le four est installé à l'extrémité d'une série de placards, adjacent à un mur perpendiculaire ou à une porte de placard, il est recommandé de laisser au moins 1/4 po (0,6 cm) d'espace entre la paroi du four et le mur ou la porte.

Pour le soutien du four, installer des montants de 2 pouces sur 4 qui s'étendent de l'avant à l'arrière et viennent affleurer le fond et le côté de l'ouverture. Le socle de soutien doit être bien fixé au plancher ou au coffret et être de niveau.

### AVIS

- la boîte de connexions doit être située au-dessus de l'appareil pour faciliter les branchements et l'entretien.
- Le socle du coffret doit être plate et apte à soutenir un poids d'au moins 429 lb (195 kg).

## Appareils de 30 po montés sous le plan de travail



\* Comprend un châssis de 3/4 po (19 mm). Pour les fours simples installés sous une armoire, la boîte de connexion doit être située à droite de l'unité à portée du cordon d'alimentation.

Lorsque le four est installé à l'extrémité d'une série de placards, adjacent à un mur perpendiculaire ou à une porte de placard, il est recommandé de laisser au moins 1/4 po (0,6 cm) d'espace entre la paroi du four et le mur ou la porte.

Pour le soutien du four, installer des montants de 2 pouces sur 4 qui s'étendent de l'avant à l'arrière et viennent affleurer le fond et le côté de l'ouverture. Le socle de soutien doit être bien fixé au plancher ou au coffret et être de niveau.

**Remarque :** La base de l'armoire doit être plane et capable de supporter un poids d'au moins 212 lb (96 kg).

---

# Soutien THERMADOR®

## Dépannage

Nous sommes conscients que vous avez investi des sommes considérables dans votre cuisine. Nous nous engageons à vous offrir, ainsi qu'à votre appareil, un service de dépannage qui vous permettra de profiter de votre cuisine pendant de nombreuses années.

N'hésitez pas à communiquer avec notre service à la clientèle STAR® si vous avez des questions ou dans l'éventualité peu probable où votre appareil THERMADOR® nécessiterait de l'entretien. Notre équipe de dépannage se fera un plaisir de vous aider.

### États-Unis

800-735-4328

[www.thermador.com/support](http://www.thermador.com/support)

### Canada

800-735-4328

[www.thermador.ca](http://www.thermador.ca)

## Pièces et accessoires

Pour vous procurer des pièces, des filtres, du détartrant, des produits nettoyants pour l'acier inoxydable et autres, rendez-vous sur la boutique en ligne THERMADOR® ou communiquez avec nous par téléphone.

### États-Unis

[www.thermador-eshop.com](http://www.thermador-eshop.com)

### Canada

Marcone 800-287-1627

ou

Reliable Parts 800-663-6060

# Contenido

<b>INSTRUCCIONES DE SEGURIDAD IMPORTANTES... 36</b>	<b>Instalar el horno ..... 40</b>
Seguridad con el manejo del electrodoméstico ..... 36	Para una mejor instalación..... 40
Códigos y normas de seguridad..... 36	Retirar la puerta del horno ..... 40
Seguridad con la electricidad ..... 36	Colocar el horno en la abertura del gabinete ..... 42
Seguridad de los equipos relacionados ..... 36	Retirar la puerta del horno ..... 43
Transporte ..... 36	Ajuste de la moldura del horno de microondas de las unidades combinadas ..... 43
<b>Preparación ..... 37</b>	<b>Cómo probar el funcionamiento ..... 44</b>
Antes de empezar ..... 37	<b>Servicio ..... 44</b>
<b>Lista de verificación de instalación ..... 37</b>	Antes de llamar al servicio ..... 44
<b>Dimensiones y requisitos del gabinete ..... 38</b>	Placa de datos..... 44
<b>Quitar el embalaje..... 38</b>	<b>Dimensiones del electrodoméstico y del hueco para el gabinete ..... 45</b>
Como quitar los tirantes de izquierda del embalaje.... 38	Dimensiones para unidades montadas a la pared de 27 pulg..... 45
Como quitar los tirantes de derecha del embalaje .... 38	Unidades instaladas debajo de la superficie de trabajo de 27" ..... 46
<b>Instalación eléctrica ..... 39</b>	Dimensiones para unidades montadas a la pared de 30 pulg. .... 47
Conexión eléctrica..... 39	Unidades instaladas debajo de la superficie de trabajo de 30" ..... 49
Conexión a cuatro cables (neutral no aterrizado)..... 39	<b>Soporte técnico de THERMADOR®..... 49</b>
Conexión de tres cables ..... 40	Servicio técnico ..... 49
	Piezas y accesorios ..... 49

Este electrodoméstico de THERMADOR es  
hecho por BSH Home Appliances Corporation  
1901 Main Street, Suite 600  
Irvine, CA 92614

¿Preguntas?

1-800-735-4328

[www.thermador.com](http://www.thermador.com)

¡Con gusto lo atenderemos!

# ⚠ INSTRUCCIONES DE SEGURIDAD IMPORTANTES

## LEA Y CONSERVE ESTAS INSTRUCCIONES

### AVISO

Si no sigue la información de este manual exactamente, se puede ocasionar un incendio o una descarga eléctrica que puede causar daños materiales o lesiones personales.

### AVISO

No repare ni cambie ninguna parte del electrodoméstico, a menos que se recomiende específicamente en los manuales. La instalación, servicio técnico o mantenimiento incorrectos pueden causar lesiones o daños materiales. Consulte este manual para su orientación. Cualquier otro tipo de reparación debe ser realizada por un técnico calificado.

## Seguridad con el manejo del electrodoméstico

No levante el electrodoméstico tomándolo del asa de la puerta. Retire la puerta para facilitar la manipulación y la instalación. Consulte las instrucciones en el Manual de uso y cuidado.

La unidad es pesada y se requieren al menos dos personas o un equipo adecuado para trasladarla. Las superficies ocultas pueden tener bordes filosos. Proceda con cuidado al intentar tomar el electrodoméstico por la parte trasera o desde abajo.

## Códigos y normas de seguridad

Este electrodoméstico cumple con la última versión de una o más de las siguientes normas:

- CAN/CSA C22.2 No. 61 - Estufas de uso doméstico (Household Cooking Ranges)
- UL 858 - Estufas eléctricas de uso doméstico (Household Electric Ranges)
- CAN/CSA C22.2 N.º 150 - Hornos de microondas (Microwave Ovens)
- UL 923 - Electrodomésticos de cocción por microondas (Microwave Cooking Appliances)
- CSA C22.2 N.º 64 - Electrodomésticos para cocinar y para calentar líquidos de uso doméstico (Household Cooking and Liquid-Heating Appliances)
- UL 1026 - Electrodomésticos para cocinar y para servir alimentos eléctricos de uso doméstico (Electric Household Cooking and Food Serving Appliances)

Es responsabilidad del propietario y el instalador determinar si se aplican otros requisitos y/o normas en instalaciones específicas.

## Seguridad con la electricidad

Antes de enchufar un cable eléctrico, asegúrese de que todos los controles estén en posición OFF (Apagado).

Si el Código Nacional Eléctrico (o el Código Eléctrico Canadiense) así lo requiere, este electrodoméstico debe instalarse en un circuito derivado por separado.

**Instalador** - muestre al propietario la ubicación del disyuntor o el fusible. Márquela para recordarla más fácilmente.

**Importante** - conserve estas instrucciones para uso del inspector de electricidad local.

Antes de realizar la instalación, apague el suministro eléctrico en el panel de servicio. Trabe el panel de servicio para impedir que se encienda accidentalmente el suministro eléctrico.

Para obtener más información, consulte la placa de datos. Para conocer la ubicación de la placa de datos, consulte la sección "Placa de datos" debajo de "Servicio técnico".

Asegúrese de que el electrodoméstico sea correctamente instalado y conectado a tierra por un técnico calificado. La instalación, las conexiones eléctricas y la conexión a tierra deben cumplir con todos los códigos correspondientes.

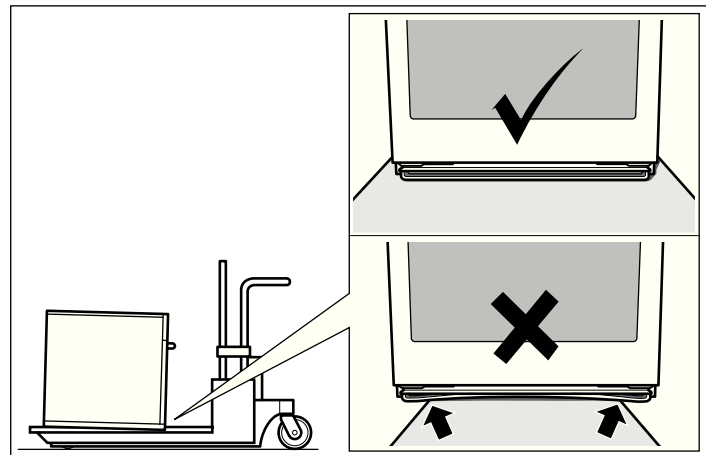
## Seguridad de los equipos relacionados

Retire toda la cinta y el embalaje antes de usar el electrodoméstico. Destruya el embalaje después de desembalar el electrodoméstico. Nunca deje que los niños jueguen con el material de embalaje.

Nunca modifique ni altere la construcción del electrodoméstico. Por ejemplo, no retire las patas niveladoras, paneles, cubiertas para cables ni soportes/tornillos antivuelco.

## Transporte

Para evitar el daño a la abertura del horno, utiliza el método del transporte mostrado en el dibujo abajo.

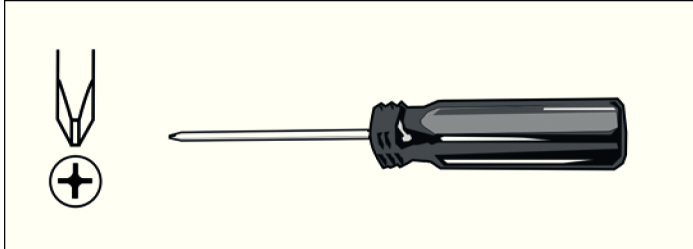


# Preparación

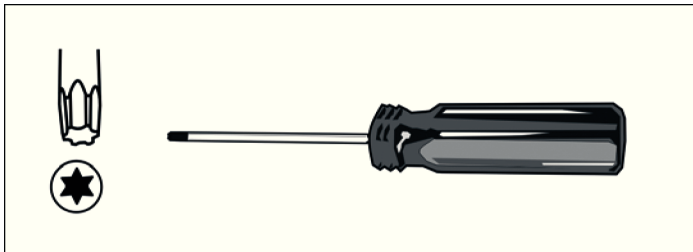
## Antes de empezar

### Herramientas y piezas necesarias

- Destornillador con cabeza Phillips n.º 2 (para instalar tornillos de la moldura).



- Destornillador con cabeza de estrella T20 (para retirar tornillos de transporte).



- Taladro y broca de taladro de 1/8 pulg. (para perforar orificios piloto para los tornillos de la moldura).
- Cinta métrica.
- Se recomienda el uso de guantes y mangas largas (para ayudar a proteger las manos y los brazos de los raspones).

### Piezas incluidas

Tornillos con cabeza Phillips (6).

### Requisitos de electricidad

La toma de corriente debe tener la conexión a tierra adecuada de conformidad con todos los códigos correspondientes.

## Lista de verificación de instalación

Use esta lista de verificación para verificar que haya completado cada paso del proceso de instalación. Esta lista puede ayudarlo a evitar cometer errores comunes.

Consulte las instrucciones detalladas para cada paso en las secciones que se encuentran a continuación de esta lista de verificación.

1. Antes de instalar el horno, asegúrese de verificar que las dimensiones del gabinete sean correctas para su unidad y que estén las conexiones eléctricas requeridas. Asegúrese de que el conducto eléctrico proporcionado en la unidad pueda llegar al punto de conexión.

*Sección: Dimensiones y requisitos del gabinete*

2. Mueva el horno a su lugar, en frente de la abertura del gabinete.

*Sección: Retirar el embalaje*

3. Retire los materiales de embalaje, pero deje el embalaje inferior en la unidad para evitar dañar el piso.

*Sección: Retirar el embalaje*

4. Retire los tornillos T20 (cabeza de estrella) que sostienen la unidad a la base de la caja de cartón.

*Sección: Retirar el embalaje*

5. Retire la(s) puerta(s) del horno.

*Sección: Instalación del horno, "Retirar la puerta del horno"*

6. Con ayuda, levante la unidad directamente al recorte del gabinete.

*Sección: Instalación del horno, "Colocar el horno en la abertura del gabinete"*

7. Deslice completamente la unidad en su lugar.

*Sección: Instalación del horno, "Colocar el horno en la abertura del gabinete"*

8. Sujete el horno a la abertura del conjunto de gabinetes con los tornillos suministrados.

*Sección: Instalación del horno, "Colocar el horno en la abertura del gabinete"*

9. Reinstale la(s) puerta(s) del horno.

*Sección: Instalación del horno, "Colocar el horno en la abertura del gabinete"*

Siempre lea y siga las instrucciones de instalación completas incluidas en este manual.

## Dimensiones y requisitos del gabinete

Los requisitos del gabinete varían según el modelo que debe instalarse. Consulte la sección “Requisitos de dimensiones del gabinete” que se encuentra en la parte posterior de este manual de instalación, a fin de obtener los detalles pertenecientes a su modelo en particular.

### Todos los modelos requieren:

- Un espacio de ¼ pulg. (6.4 mm) entre el costado del horno y una pared adyacente o la puerta del gabinete, cuando está instalado al final de un tramo de gabinetes.
- Instalación de tablas de madera de 2 x 4 de adelante hacia atrás, que estén niveladas con la parte inferior y lateral de la abertura, para que el horno tenga un mejor apoyo. Esta base de apoyo debe estar bien asegurada al piso/gabinete y debe estar nivelada.

- La caja de conductos eléctricos debe ubicarse arriba de la unidad para facilitar la conexión y el servicio técnico de la unidad.
- La base del gabinete debe ser plana y capaz de soportar el peso de su horno cuando está en uso (según el modelo, varía hasta 429 lb [195 kg]). Consulte el peso apropiado para su modelo en la sección “Requisitos de dimensiones del gabinete” que se encuentra en la parte posterior de este manual de instalación.

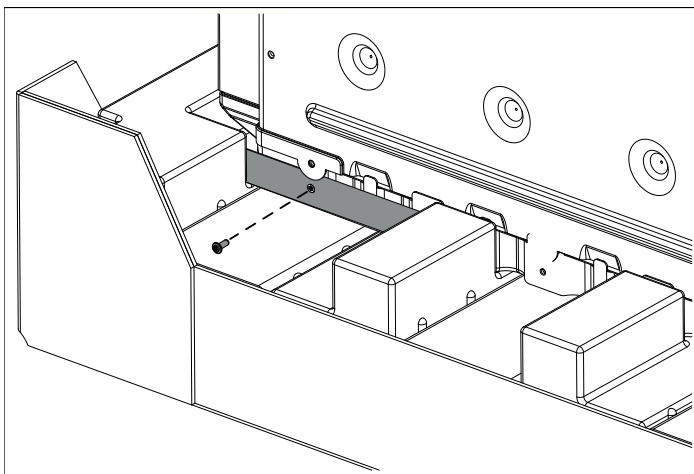
## Quitar el embalaje

**Nota:** Para evitar que se dañe su piso, mantenga la unidad en su base de embalaje hasta que esté lista para ser colocada en la abertura del gabinete. No arrastre la unidad por el piso.

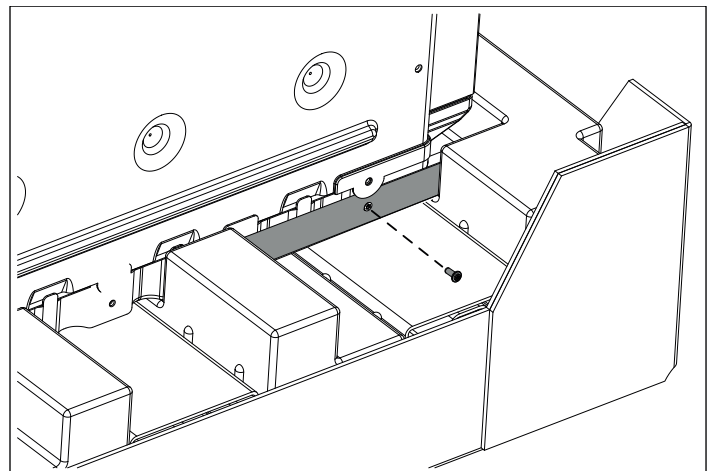
Los distintos modelos utilizan distintos materiales de embalaje. Es posible que los soportes reales tengan un aspecto distinto. El soporte permanece en la base de embalaje.

1. Corte las correas que se encuentran fuera de la caja.
2. Retire la caja de cartón.
3. Retire todas las abrazaderas superiores y laterales de cartón y Styrofoam.
4. Coloque el horno delante de los gabinetes, en el lugar donde se instalará.
5. Desatornille la unidad de los soportes izquierdo y derecho, como se muestra en “Retiro de los soportes de embalaje izquierdo y derecho”.

### Como quitar los tirantes de izquierda del embalaje



### Como quitar los tirantes de derecha del embalaje



# Instalación eléctrica

Todos los modelos de hornos que se detallan en la portada tienen capacidad nominal doble y están diseñados para conectarse a una fuente de alimentación eléctrica monofásica, de 4 hilos, 208/240 V CA, 60 Hz.

Modelo	Circuito requerido
ME301JP, ME301JS, MED271JS, MED301JS, MED301JP, POD301J	30 AMP
ME302JP, ME302JS, MED272JS, MED302JS, MED302JP, PODC302J	40 AMP
MEDMC301JS, MEDMC301JP, MEDMCW71JS, MEDMCW31JP, MEDMCW31JS, PODM301J, PODMW301J	50 AMP

El suministro eléctrico debe ser de CA monofásica, de 4 hilos. Instale una caja de conductos adecuada (no viene incluida). Un conector de conducto de dimensiones apropiadas aprobado por UL debe ser utilizado para fijar correctamente el conducto a la caja de conexiones.

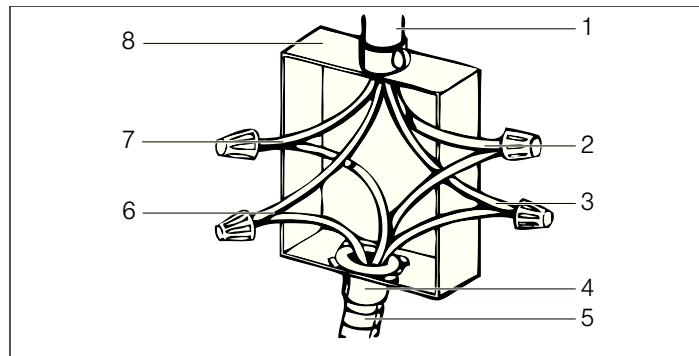
**AVISO:** Los códigos locales pueden variar. La instalación, las conexiones eléctricas y la conexión a tierra deben cumplir con todos los códigos locales correspondientes.

Si los códigos locales permiten hacer la conexión a tierra a través del cable neutro del suministro eléctrico, conecte el cable neutro blanco y el cable de conexión a tierra desnudo del horno al cable neutro blanco del suministro eléctrico.

## Conexión eléctrica

La conexión del circuito con cuatro hilos es preferible pero donde los códigos locales lo permiten, se acepta también una conexión con tres hilos.

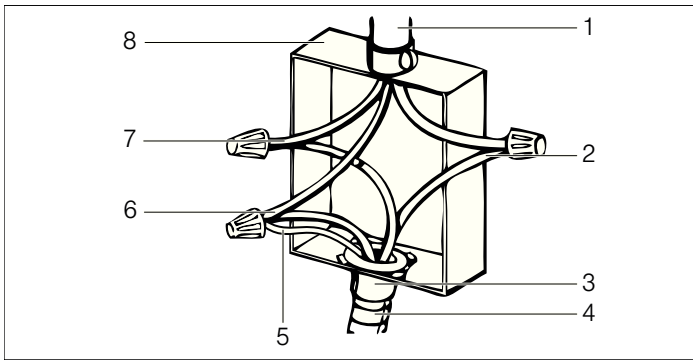
### Conexión a cuatro cables (neutral no aterrizado)



1	Cable de la fuente de alimentación
2	Cables blancos
3	Cables negros
4	Conector de conducto listado con U.L.
5	Cable del horno
6	Cables verdes o desnudos
7	Cables rojos
8	Caja de conexiones

- Conecte el cable rojo del horno al cable rojo del suministro eléctrico (cable con corriente).
- Conecte el cable negro del horno al cable negro del suministro eléctrico (cable con corriente).
- Conecte el cable neutro blanco del horno al cable neutro blanco (no el de conexión a tierra desnudo) del suministro eléctrico.
- Conecte el cable de conexión a tierra desnudo del horno al cable de conexión a tierra desnudo del suministro eléctrico.

## Conexión de tres cables



1	Cable de la fuente de alimentación eléctrica
2	Cables negros
3	Conector de conducto incluido en el listado de UL
4	Cable del horno
5	Cable desnudo o verde

6	Cables blancos
7	Cables rojos
8	Caja de empalme

- Conecte el cable rojo del horno al cable rojo del suministro eléctrico.
- Conecte el cable negro del horno al cable negro del suministro eléctrico.
- Conecte el cable de conexión a tierra desnudo y el cable blanco del horno al cable neutro blanco (o gris) del suministro eléctrico, o al cable de conexión a tierra desnudo/verde del suministro eléctrico.

El cable de conducto, donde está conectado al horno, gira. Gire el cable de conducto hacia arriba (o hacia abajo) e introdúzcalo en el orificio preparado en el gabinete para conectarlo a la caja de empalme.

Para mantener las condiciones que permitan realizar un buen servicio técnico, el conducto flexible no debe acortarse y debe enrutarse de manera que permita retirar temporalmente el horno.

## Instalar el horno

**AVISO:** Antes de instalar el horno, asegúrese de verificar las dimensiones del gabinete y las conexiones eléctricas.

### Para una mejor instalación

Durante la instalación, puede resultarles difícil a dos personas manipular el horno. Se recomienda que haya tres o más personas disponibles para ayudar a levantar la unidad a su lugar.

Retirar la puerta del horno durante la instalación (para tener los agarres necesarios y reducir en forma significativa el peso de la unidad) puede resultar engorroso, a menos que se sigan atentamente las instrucciones detalladas para retirar la puerta. Tómese un tiempo para leer y seguir las instrucciones proporcionadas para una mejor experiencia de instalación.

## Retirar la puerta del horno

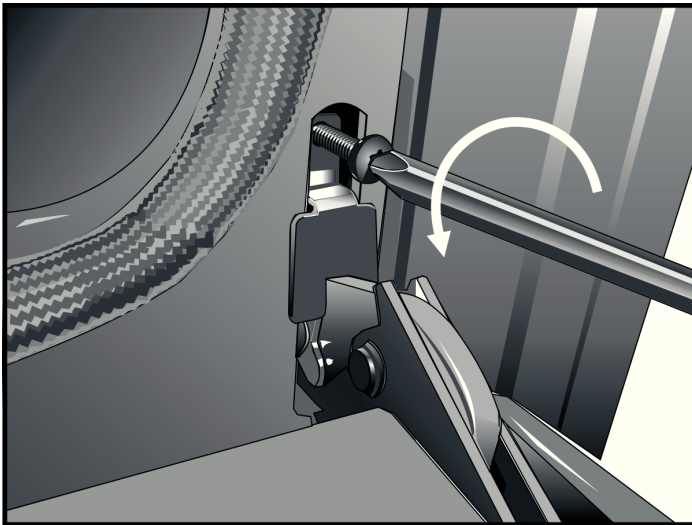
### ⚠ ATENCION

- Asegúrese de que el horno esté frío y de que la alimentación eléctrica esté desactivada antes de retirar la puerta. No hacerlo puede ocasionar una descarga eléctrica o quemaduras.
- La puerta del horno es pesada y sus piezas son frágiles. Use las dos manos para retirar la puerta del horno. El frente de la puerta incluye componentes de vidrio. Manipúlela con cuidado para evitar que se rompan.
- Tome la puerta del horno solamente por los costados. No la tome de la manija, porque puede deslizarse de la mano y causar daños o lesiones.
- No tomar la puerta del horno con firmeza y correctamente podría ocasionar lesiones personales o daños al producto.
- Para evitar lesiones cuando se cierra la bisagra, asegúrese de que ambas palancas de bloqueo estén firmemente en su lugar antes de retirar la puerta. Tampoco abra ni cierre la puerta del horno forzándola: la bisagra puede dañarse y ocasionar lesiones.
- No apoye la puerta que retiró sobre objetos filosos o puntiagudos, dado que el vidrio podría romperse. Apoye la puerta sobre una superficie plana y lisa, de manera que la puerta no pueda caerse.



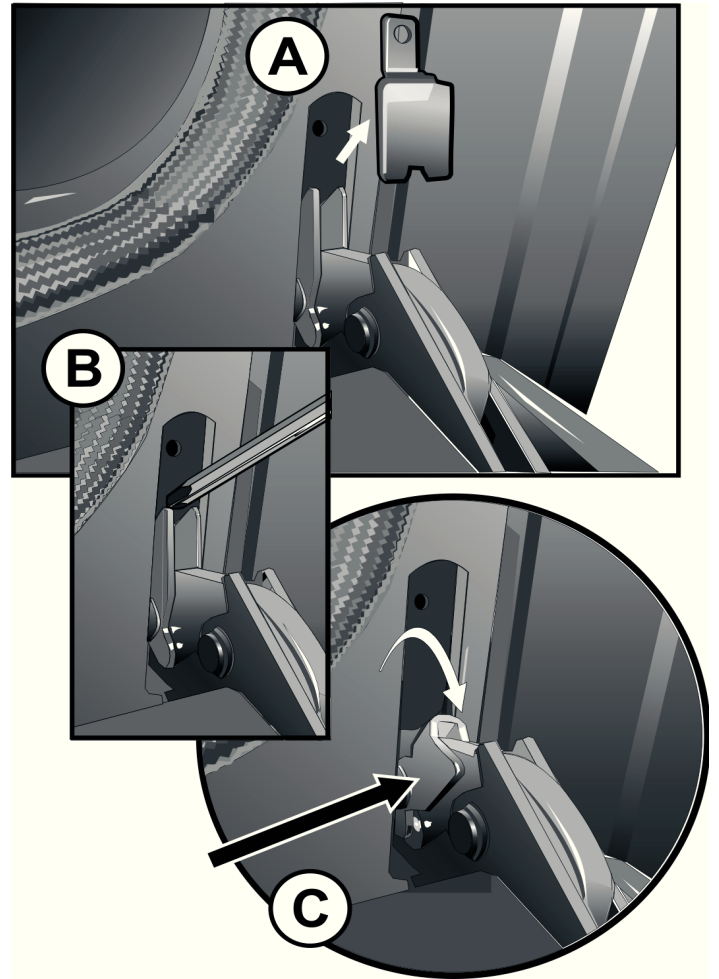
### Para retirar la puerta del horno:

1. Lea el anterior aviso de precaución antes de comenzar el proceso para retirar la puerta del horno.
2. Consiga un lugar cercano para apoyar la puerta después de retirarla para que no se caiga ni puedan pisarla. Apoye la puerta en forma horizontal sobre una manta o una superficie acolchonada.
3. Abra la puerta del horno completamente hasta que quede paralela al piso. La puerta contiene resortes fuertes para ayudar a cerrarse. Es necesario colocar las trabas de los fiadores en su lugar para quitar la tensión sobre los resortes.
4. Para tener acceso a las trabas de los fiadores, retire la placa de bloqueo usando un destornillador con cabeza de estrella T20.



5. Después de retirar el tornillo, (A) levante la placa de bloqueo y, luego, gírela hacia afuera para retirarla. Repita la operación para la otra bisagra. Conserve las placas de bloqueo y los tornillos para la reinstalación.

6. Lleve las palancas de bloqueo hacia la puerta tanto como sea posible. (B) Es posible que sea útil usar la punta de un destornillador para jalar las palancas de bloqueo hacia afuera. (C) Asegúrese de que ambas palancas de bloqueo se encuentren en la posición de bloqueo, empujadas completamente hacia la puerta.

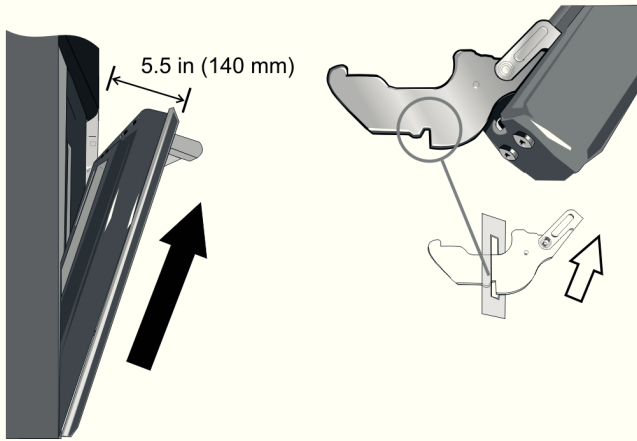


7. Con los fiadores en su lugar según se indica, cierre la puerta del horno con cuidado hasta que la parte delantera de la puerta se encuentre, aproximadamente, a 5 1/2 pulgadas (140 mm) del panel de control.
8. Tome la puerta firmemente usando ambas manos. La puerta pesa más de 30 libras.

#### ▲ ATENCION

Para evitar daños, evite que la puerta golpee el panel de control mientras retira la puerta o la reemplaza.

**9. Levante la puerta y júlela hacia afuera en un ángulo ascendente, según se muestra en la siguiente ilustración.** La muesca en la pata de la bisagra se desenganchará del marco de la puerta del horno. Con las patas de ambas bisagras de la puerta desenganchadas, levante la puerta para separarla de la unidad.



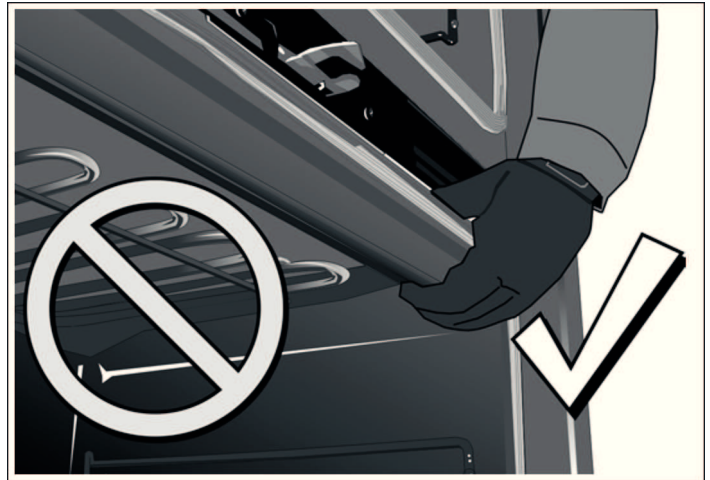
**10.** Con cuidado, mueva la puerta hacia un lugar seguro para protegerla de daños hasta que esté listo para reinstalarla.

## Colocar el horno en la abertura del gabinete

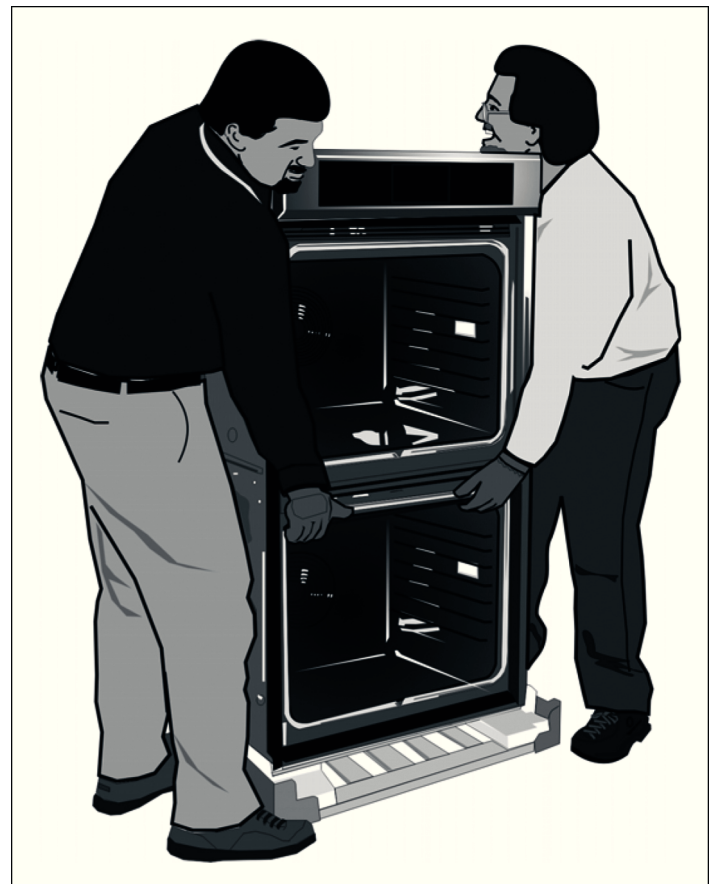
### ⚠ ATENCION

- Para evitar posibles daños en el piso, mantenga la unidad en su embalaje original hasta el momento inmediatamente anterior a colocar la unidad directamente en la abertura del gabinete. Evite que la base de metal de la unidad entre en contacto con el piso. Vea las siguientes instrucciones de manipulación para obtener información detallada.
- Para evitar daños en la puerta (y/o en el frente del cajón calentador para unidades combinadas) no levante, jale ni empuje la unidad durante la instalación con el asa de la puerta del horno o el asa del cajón calentador como punto de sujeción.
- Use guantes y mangas largas para proteger las manos y los antebrazos de abrasiones y posibles raspones durante el proceso de levantamiento. Quítese los relojes y las joyas, y use zapatos de trabajo durante la instalación para protegerse los pies.

Cuando levante la unidad para colocarla en su lugar, evite tomar el elemento superior para evitar dañarlo. Vea la siguiente ilustración para conocer el lugar de levantamiento correcto.



**1.** La unidad y su embalaje inferior (paleta) deben ubicarse cerca de la abertura del gabinete y frente a esta, antes de comenzar a levantar la unidad para colocarla en su lugar.



**2.** Levante o deslice la unidad hasta el recorte del gabinete, sin permitir que la base de la unidad esté en contacto con el piso.

- Guíe la unidad en forma recta hacia atrás, introduciéndola en el recorte del gabinete. Empuje la unidad en forma recta hacia adentro, hasta que la moldura del horno quede a alrededor de 2 pulgadas de estar a ras respecto de la pared del gabinete. Tenga cuidado de no doblar el conducto flexible entre el horno y la pared trasera del gabinete. Si es necesario, guíe el conducto flexible hacia la pared o el orificio de acceso del gabinete, de modo que no impida empujar completamente la unidad hasta introducirla por completo en la abertura del gabinete. El horno debe estar derecho y nivelado, no torcido.
- Empuje completamente la unidad hacia atrás, introduciéndola en el recorte del gabinete hasta que el borde delantero de la unidad esté a ras respecto de la parte delantera del gabinete.
- Instale los tornillos suministrados en los orificios de colada de la moldura (2 tornillos para los hornos individuales, 4 tornillos para los hornos dobles/ combinados). Se recomienda perforar orificios piloto para los tornillos de la moldura.
- Vuelva a colocar la(s) puerta(s) del horno según las siguientes instrucciones.

## Retirar la puerta del horno

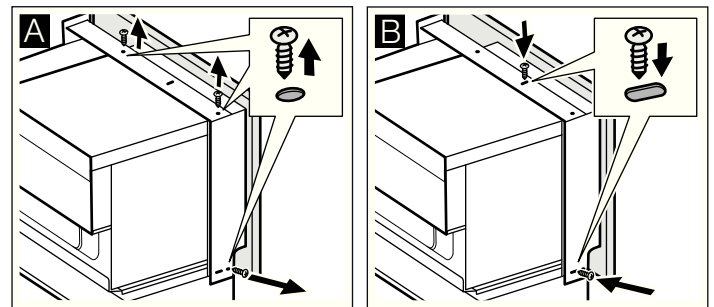
### Para volver a colocar la puerta del horno:

- Sujete la puerta firmemente con las dos manos a un ángulo de 30° con respecto a la parte delantera de la unidad.
- Dirija las bisagras de la puerta dentro de las ranuras de las bisagras en la carcasa de la unidad.
- Deslice la puerta hacia el interior hasta que las ranuras de las bisagras enganchen la carcasa del horno. Consejo: es posible que necesite balancear la puerta levemente para encajarla correctamente.
- Baje la puerta hacia la posición de apertura completa de 90°. Si la puerta no baja completamente a la posición de 90°, las bisagras no están encajadas correctamente. La puerta debe estar derecha, no torcida.
- Empuje los fiadores de bloqueo para que vuelvan a la posición de desbloqueo, hacia la cavidad del horno.
- Reinstale las placas de bloqueo y los tornillos (consulte el proceso para retirar la puerta que se menciona anteriormente).
- Cierre la puerta suavemente. Esta debe cerrarse completamente. Abra y cierre la puerta suavemente varias veces, para asegurarse de que esté instalada correctamente y firme en su lugar.

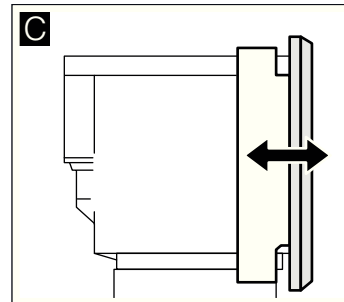
## Ajuste de la moldura del horno de microondas de las unidades combinadas

Durante la instalación de su horno empotrado combinado, es posible que sea necesario ajustar el marco de la moldura del horno de microondas para lograr un ajuste firme contra la parte delantera del gabinete. Determine si es necesario alinear el marco de la moldura del horno de microondas a fin de sujetar más firmemente la moldura contra la parte delantera del gabinete.

- Mida la dimensión de la separación que debe cerrarse y observe sobre qué lado aparece.
- Deslice el horno empotrado fuera del gabinete, entre 4 y 5 pulgadas, lo suficiente como para tener acceso a los tornillos de ajuste.
- Retire los tornillos (A) y vuelva a colocarlos en las posiciones de las ranuras ajustables (B). No apriete los tornillos.



- Deslice el marco de la moldura según sea necesario (C).



- Apriete los tornillos sosteniendo el marco de la moldura.
- Deslice el horno completamente hacia atrás en su lugar en la cavidad y verifique si la alineación del marco de la moldura del horno de microondas es satisfactoria. Si no es correcta, repita el procedimiento.

---

## Cómo probar el funcionamiento

1. Encienda la alimentación eléctrica desde el disyuntor.
2. Controle la alimentación eléctrica de la caja de empalme usando un voltímetro.  
Para la instalación con 240 V, la lectura entre los cables rojo y negro (línea a línea) debe ser de entre 220 y 240 voltios.  
Para la instalación con 208 V, la lectura entre los cables rojo y negro (línea a línea) debe ser de entre 190 y 208 voltios.
3. Pruebe el modo del horno.  
Seleccione el modo BAKE (HORNEAR). Consulte el Manual de uso y cuidado para obtener instrucciones detalladas de funcionamiento.
4. Verifique que la luz del horno se encienda y que el horno comience a precalentarse.
5. Pruebe la traba de la puerta.  
Programa el modo SELF CLEAN (AUTOLIMPIEZA). Confirme que la puerta esté trabada cuando aparece el ícono de trabar en la pantalla.
6. Si instala un horno doble, también pruebe el segundo horno.
7. Si alguna de las pruebas no funciona según se explicó anteriormente, comuníquese con el servicio técnico para obtener asistencia. De lo contrario, la instalación finaliza en este momento.

---

## Servicio

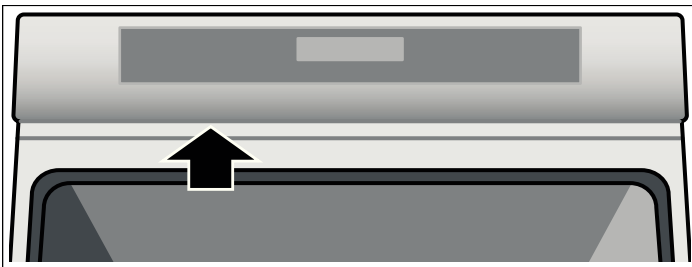
### Antes de llamar al servicio

Para obtener información sobre resolución de problemas, consulte el Manual de uso y cuidado. Consulte la garantía en el Manual de uso y cuidado.

Para consultar a un representante de servicio técnico, remítase a la información de contacto que aparece en el frente del manual. Cuando llame, tenga a la mano la información impresa en la placa de datos de su producto.

### Placa de datos

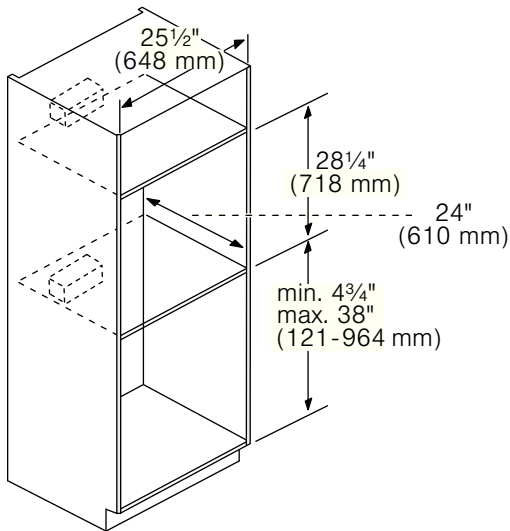
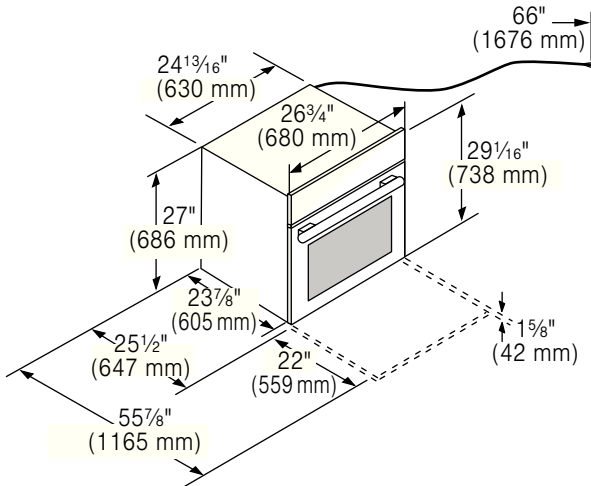
La placa de datos muestra el modelo y el número de serie. Al solicitar servicio técnico, consulte la placa de datos del electrodoméstico. La placa de datos se encuentra en la parte inferior del panel de control:



# Dimensiones del electrodoméstico y del hueco para el gabinete

## Dimensiones para unidades montadas a la pared de 27 pulg.

### Horno individual de 27"



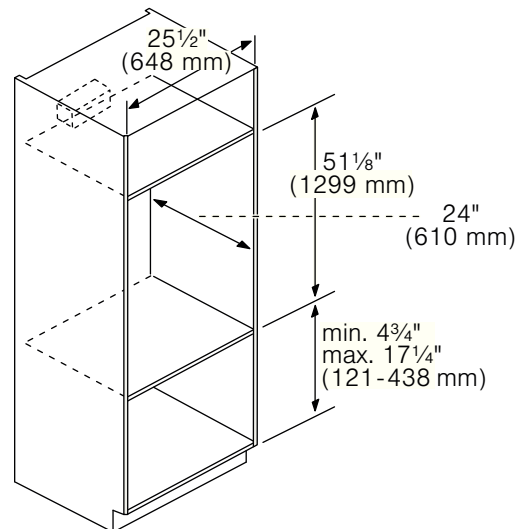
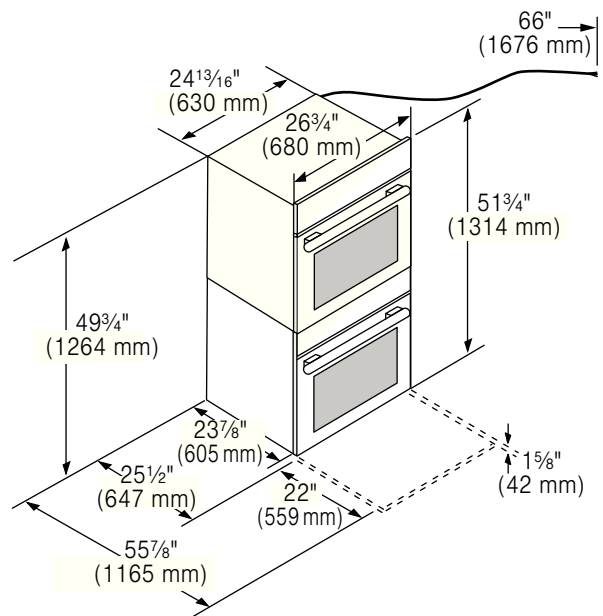
Cuando el horno está instalado al final de un gabinete, junto a una pared perpendicular o a una puerta del gabinete, se aconseja dejar un espacio de al menos 1/4" entre el costado del horno y la pared/puerta.

Para un mejor apoyo del horno, instale tablas de madera de 2 x 4 de adelante hacia atrás, que estén niveladas con la parte inferior y lateral de la abertura. La base de apoyo debe estar bien asegurada al piso/gabinete y nivelada.

### AVISO

- La caja de conductos debe instalarse encima o debajo de la unidad. Si la caja de conductos se instala debajo de la unidad, se debe dejar un orificio o espacio de 22" de diámetro entre la pared trasera y la parte posterior derecha de los soportes de 2 x 4.
- La base del gabinete debe ser plana y capaz de sostener un peso de por lo menos 193 lb (87 kg).

### Hornos dobles de 27"



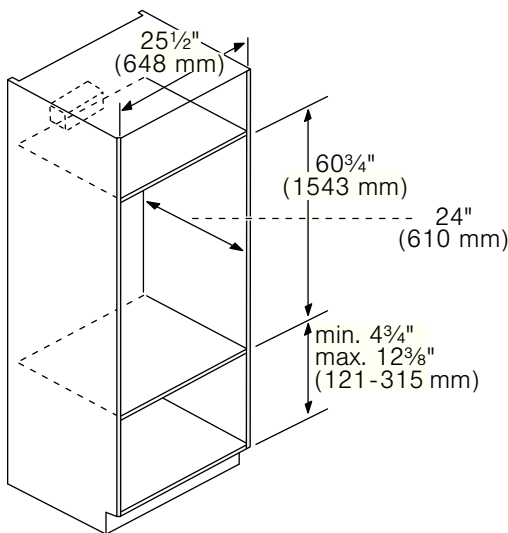
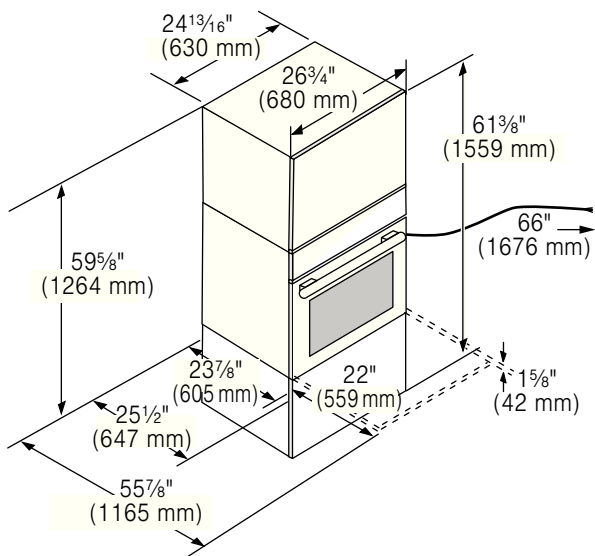
Cuando el horno está instalado al final de un gabinete, junto a una pared perpendicular o a una puerta del gabinete, se aconseja dejar un espacio de al menos 1/4" entre el costado del horno y la pared/puerta.

Para un mejor apoyo del horno, instale tablas de madera de 2 x 4 de adelante hacia atrás, que estén niveladas con la parte inferior y lateral de la abertura. La base de apoyo debe estar bien asegurada al piso/gabinete y nivelada.

#### AVISO

- La caja de conductos debe estar ubicada sobre la unidad para facilitar la conexión y el servicio técnico.
- La base del gabinete debe ser plana y capaz de sostener un peso de por lo menos 361 lb (164 kg).

#### Horno combinado con microondas y cajón calentador de 27"



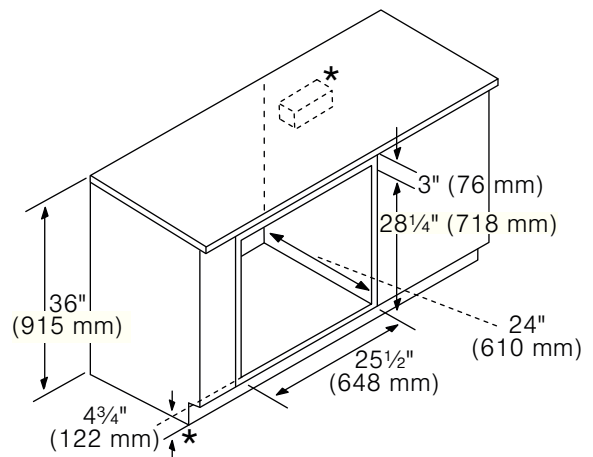
Cuando el horno está instalado al final de un gabinete, junto a una pared perpendicular o a una puerta del gabinete, se aconseja dejar un espacio de al menos 1/4" entre el costado del horno y la pared/puerta.

Para un mejor apoyo del horno, instale tablas de madera de 2 x 4 de adelante hacia atrás, que estén niveladas con la parte inferior y lateral de la abertura. La base de apoyo debe estar bien asegurada al piso/gabinete y nivelada.

**AVISO:** La base del gabinete debe ser plana y capaz de sostener un peso de por lo menos 369 lb (167 kg).

Se puede instalar este horno empotrado debajo de cualquier parrillade Thermador mientras no haya contacto entre el piso de la parilla y la parte superior del horno, excepto por la parilla de inducción Thermador, donde el espacio libre debe ser al menos 1 pulgada (vea las ilustraciones en la página 6).

#### Unidades instaladas debajo de la superficie de trabajo de 27"



\* Incluye placa de base de 3/4 pulg. (19 mm). Para los hornos individuales instalados debajo de un gabinete, la caja de empalme debe estar ubicada a la derecha de la unidad, al alcance del cable de alimentación.

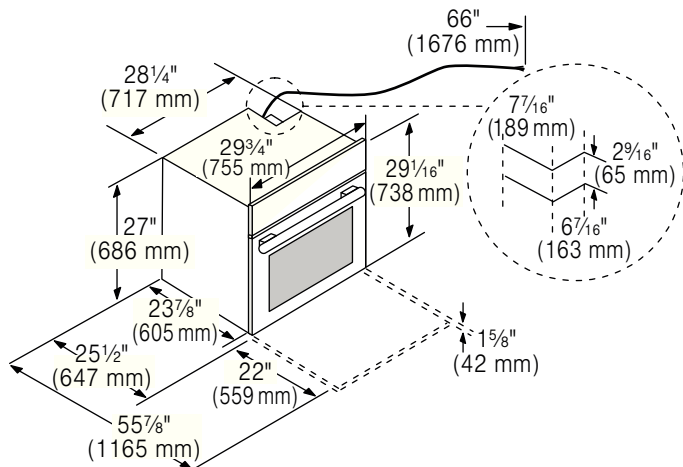
Cuando el horno está instalado al final de un gabinete, junto a una pared perpendicular o a una puerta del gabinete, se aconseja dejar un espacio de al menos 1/4" entre el costado del horno y la pared/puerta.

Para un mejor apoyo del horno, instale tablas de madera de 2 x 4 de adelante hacia atrás, que estén niveladas con la parte inferior y lateral de la abertura. La base de apoyo debe estar bien asegurada al piso/gabinete y nivelada.

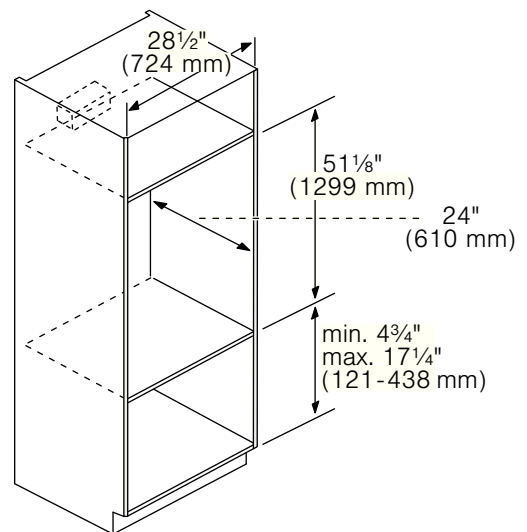
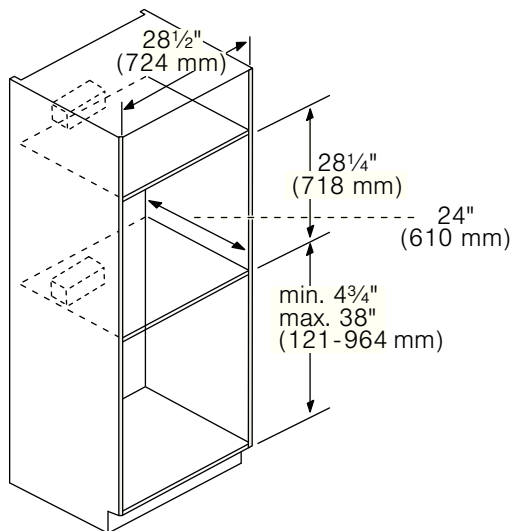
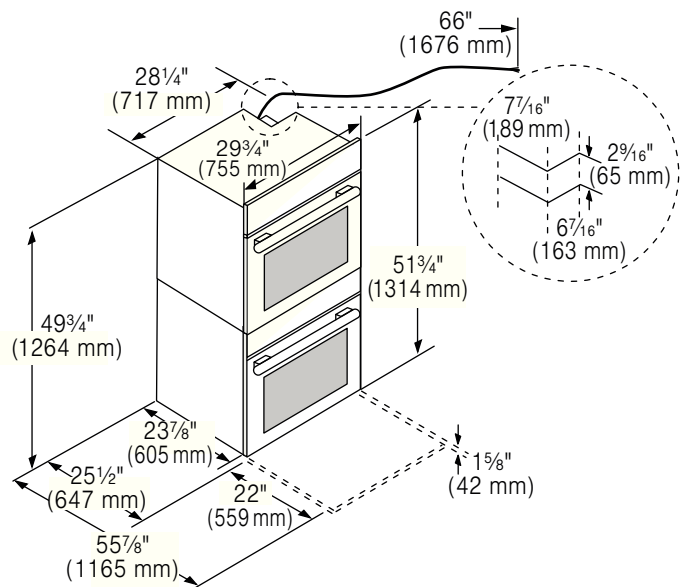
**Nota:** La base del gabinete debe ser plana y capaz de soportar un peso de, al menos, 193 lb (87 kg).

## Dimensiones para unidades montadas a la pared de 30 pulg.

### Horno individual de 30"



## Hornos dobles de 30"



Cuando el horno está instalado al final de un gabinete, junto a una pared perpendicular o a una puerta del gabinete, se aconseja dejar un espacio de al menos 1/4" entre el costado del horno y la pared/puerta.

Para un mejor apoyo del horno, instale tablas de madera de 2 x 4 de adelante hacia atrás, que estén niveladas con la parte inferior y lateral de la abertura. La base de apoyo debe estar bien asegurada al piso/gabinete y nivelada.

### AVISO

- La caja de conductos debe instalarse encima o debajo de la unidad. Si la caja de conductos se instala debajo de la unidad, se debe dejar un orificio o espacio de 2" de diámetro entre la pared trasera y la parte posterior derecha de los soportes de 2 x 4.
- La base del gabinete debe ser plana y capaz de sostener un peso de por lo menos 212 lb (96 kg).

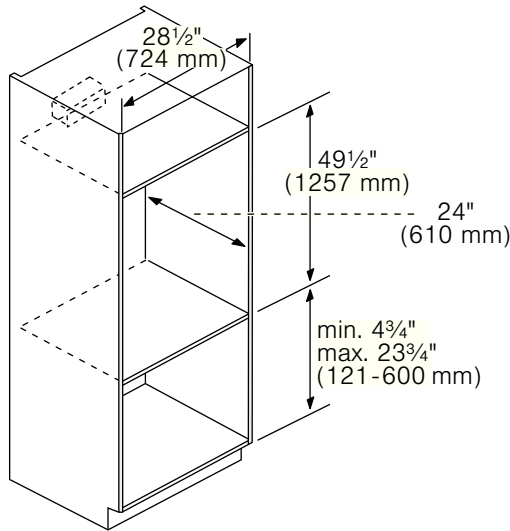
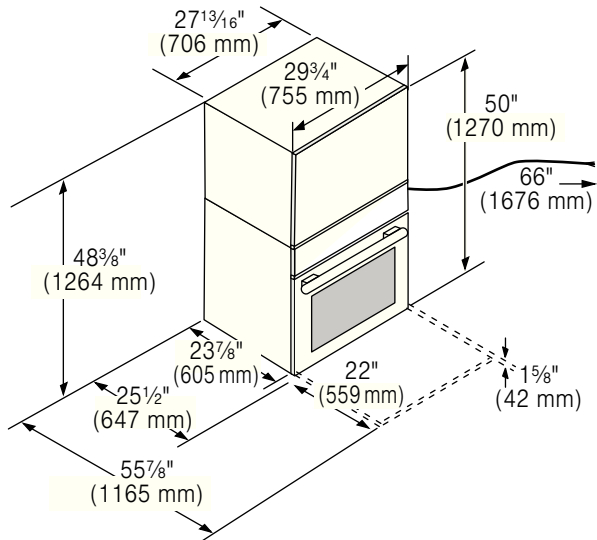
Cuando el horno está instalado al final de un gabinete, junto a una pared perpendicular o a una puerta del gabinete, se aconseja dejar un espacio de al menos 1/4" entre el costado del horno y la pared/puerta.

Para un mejor apoyo del horno, instale tablas de madera de 2 x 4 de adelante hacia atrás, que estén niveladas con la parte inferior y lateral de la abertura. La base de apoyo debe estar bien asegurada al piso/gabinete y nivelada.

### AVISO

- La caja de conductos debe instalarse encima o debajo de la unidad. Si la caja de conductos se instala debajo de la unidad, se debe dejar un orificio o espacio de 2" de diámetro entre la pared trasera y la parte posterior derecha de los soportes de 2 x 4.
- La base del gabinete debe ser plana y capaz de sostener un peso de por lo menos 390 lb (177 kg).

## Horno combinado con microondas de 30"



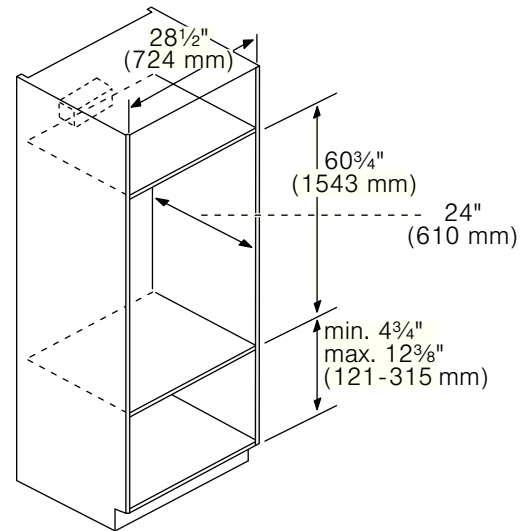
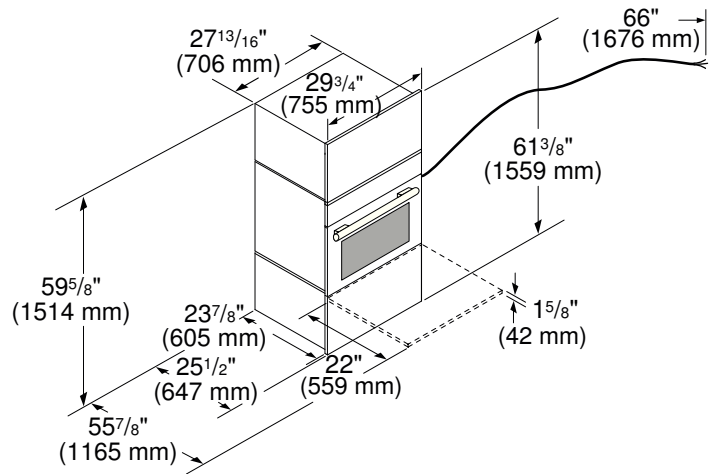
Cuando el horno está instalado al final de un gabinete, junto a una pared perpendicular o a una puerta del gabinete, se aconseja dejar un espacio de al menos 1/4" entre el costado del horno y la pared/puerta.

Para un mejor apoyo del horno, instale tablas de madera de 2 x 4 de adelante hacia atrás, que estén niveladas con la parte inferior y lateral de la abertura. La base de apoyo debe estar bien asegurada al piso/gabinete y nivelada.

### AVISO

- La caja de conductos debe instalarse encima o debajo de la unidad. Si la caja de conductos se instala debajo de la unidad, se debe dejar un orificio o espacio de 2" de diámetro entre la pared trasera y la parte posterior derecha de los soportes de 2 x 4.
- La base del gabinete debe ser plana y capaz de sostener un peso de por lo menos 310 lb (141 kg).

## Horno combinado con microondas y cajón calentador de 30"



Cuando el horno está instalado al final de un gabinete, junto a una pared perpendicular o a una puerta del gabinete, se aconseja dejar un espacio de al menos 1/4" entre el costado del horno y la pared/puerta.

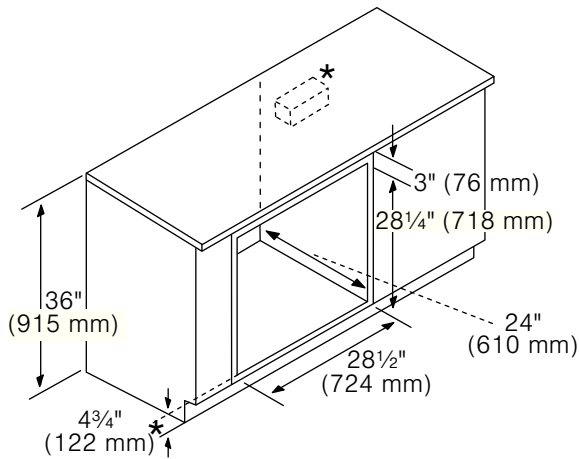
Para un mejor apoyo del horno, instale tablas de madera de 2 x 4 de adelante hacia atrás, que estén niveladas con la parte inferior y lateral de la abertura. La base de apoyo debe estar bien asegurada al piso/gabinete y nivelada.

### AVISO

- La caja de conductos debe estar ubicada sobre la unidad para facilitar la conexión y el servicio técnico.
- La base del gabinete debe ser plana y capaz de sostener un peso de por lo menos 429 lb (195 kg).



## Unidades instaladas debajo de la superficie de trabajo de 30"



\* Incluye placa de base de  $\frac{3}{4}$  pulg. (19 mm). Para los hornos individuales instalados debajo de un gabinete, la caja de empalme debe estar ubicada a la derecha de la unidad, al alcance del cable de alimentación.

Cuando el horno está instalado al final de un gabinete, junto a una pared perpendicular o a una puerta del gabinete, se aconseja dejar un espacio de al menos  $\frac{1}{4}$ " entre el costado del horno y la pared/puerta.

Para un mejor apoyo del horno, instale tablas de madera de 2 x 4 de adelante hacia atrás, que estén niveladas con la parte inferior y lateral de la abertura. La base de apoyo debe estar bien asegurada al piso/gabinete y nivelada.

**Nota:** La base del gabinete debe ser plana y capaz de soportar un peso de, al menos, 212 lbs (96 kg).

## Soporte técnico de THERMADOR®

### Servicio técnico

Sabemos que usted ha realizado una inversión considerable en su cocina. Nos dedicamos a brindar apoyo técnico para usted y su electrodoméstico de manera que tenga muchos años de cocina creativa. No dude en comunicarse con nuestro Departamento de Atención al Cliente de STAR® si tiene alguna pregunta o en el caso poco probable de que su electrodoméstico THERMADOR® necesite servicio técnico. Nuestro equipo de servicio técnico está listo para asistirlo.

#### EE. UU.

800-735-4328

[www.thermador.com/support](http://www.thermador.com/support)

#### Canadá

800-735-4328

[www.thermador.ca](http://www.thermador.ca)

### Piezas y accesorios

Puede comprar piezas, filtros, productos para eliminar el sarro, limpiadores para acero inoxidable y más artículos en la tienda electrónica de THERMADOR® o por teléfono.

#### EE. UU.

[www.thermador-eshop.com](http://www.thermador-eshop.com)

#### Canadá

Marcone 800-287-1627

o

Reliable Parts 800-663-6060





# THERMADOR® Support/Réparation/Servicio técnico

## Service

We realize that you have made a considerable investment in your kitchen. We are dedicated to supporting you and your appliance so that you have many years of creative cooking.

Please don't hesitate to contact our STAR® Customer Support Department if you have any questions or in the unlikely event that your THERMADOR® appliance needs service. Our service team is ready to assist you.

## Parts & Accessories

Parts, filters, descalers, stainless steel cleaners and more can be purchased in the THERMADOR® eShop or by phone.

### USA

Service  
800-735-4328  
[www.thermador.com/support](http://www.thermador.com/support)

Parts & Accessories  
[www.thermador-eshop.com](http://www.thermador-eshop.com)

### Canada

Service  
800-735-4328  
[www.thermador.ca](http://www.thermador.ca)

Parts & Accessories  
Marcone - 800-287-1627  
or  
Reliable Parts - 800-663-6060

## Réparation

Nous comprenons que vous avez fait un investissement important pour votre cuisine. C'est pourquoi nous nous engageons à offrir un service de qualité à vous comme à votre appareil afin de vous garantir des années de créativité dans votre cuisine.

N'hésitez pas à contacter notre département du service à la clientèle STAR<sup>MD</sup> si vous avez des questions ou dans le cas peu probable que votre appareil THERMADOR<sup>MD</sup> nécessite une réparation. Notre équipe de réparation est prête à vous aider.

## Pièces et accessoires

Plusieurs pièces, filtres, détartrants et nettoyants pour l'acier inoxydable sont offerts dans la boutique électronique eShop de THERMADOR<sup>MD</sup> ou par téléphone.

### États-Uni

Réparation  
800-735-4328  
[www.thermador.com/support](http://www.thermador.com/support)

Pièces et accessoires  
[www.thermador-eshop.com](http://www.thermador-eshop.com)

### Canada

Réparation  
800-735-4328  
[www.thermador.ca](http://www.thermador.ca)

Pièces et accessoires  
Marcone - 800-287-1627  
ou  
Reliable Parts - 800-663-6060

## Servicio técnico

Sabemos que usted ha realizado una inversión considerable en su cocina. Nos dedicamos a brindar asistencia técnica para usted y su electrodoméstico de manera que tenga muchos años de cocina creativa.

No dude en comunicarse con nuestro Departamento de Atención al Cliente de STAR® si tiene alguna pregunta o en el caso poco probable de que su electrodoméstico THERMADOR® necesite servicio técnico. Nuestro equipo de servicio técnico está listo para asistirlo.

## Piezas y accesorios

Puede comprar piezas, filtros, productos para eliminar el sarro, limpiadores para acero inoxidable y más artículos en la tienda electrónica de THERMADOR® o por teléfono.

### EE. UU.

Servicio técnico  
800-735-4328  
[www.thermador.com/support](http://www.thermador.com/support)

Piezas y accesorios  
[www.thermador-eshop.com](http://www.thermador-eshop.com)

### Canada

Servicio técnico  
800-735-4328  
[www.thermador.ca](http://www.thermador.ca)

Piezas y accesorios  
Marcone - 800-287-1627  
o  
Reliable Parts - 800-663-6060

**Thermador**   
REAL INNOVATIONS FOR REAL COOKS