

**PRODUCT MODEL NUMBERS**

KDFE104D	KDTE104D	KDTE404D
KDFE304D	KDTE204D	KDTE504D
KDHE404D	KDTE304D	KDTE704D
KDHE704D	KDTE334D	KDTM354D

**Electrical Requirements:** 120-volt, 60 Hz, AC-only, 15- or 20 amp fused electrical supply. Copper wire only. A time-delay fuse or circuit breaker and separate circuit is recommended.

**Water Supply Requirements:** A hot water line with 20 to 120 psi (138 to 862 kPa) water pressure. Water temperature must be 120°F (49°C) water at dishwasher. Use 3/8" O.D. copper tubing with compression fitting or flexible braided supply line (1/2" minimum plastic tubing is not recommended). Use a 90° elbow with 3/4" N.P.T. external pipe threads on one end. Do not solder within 6" (15.2 cm) from water inlet valve.

**Drain Requirements:** A new drain hose is supplied with your dishwasher. If this is not long enough, use a new drain hose with a maximum length of 12 ft (3.7 m) (Part Number 3385556) that meets all current AHAM/IAPMO test standards, is resistant to heat and detergent, and fits the 1" (2.5 cm) drain connector of the dishwasher.

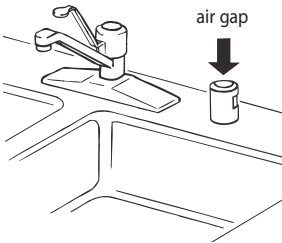
Make sure to connect the drain hose to waste tee or disposer inlet above drain trap in house plumbing and 20" (50.8 cm) minimum above the floor. It is recommended

that the drain hose either be looped up and securely fastened to the underside of the counter, or be connected to an air gap.

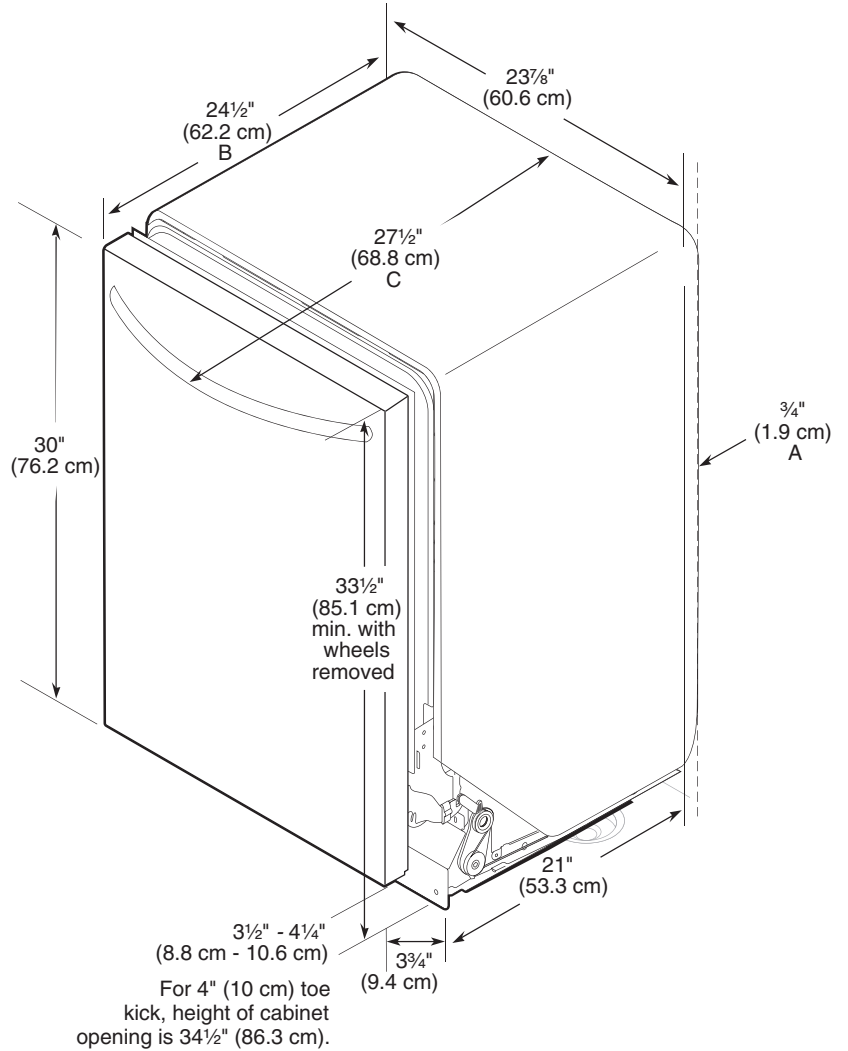
Make sure to use an air gap if the drain hose is connected to house plumbing lower than 20" (50.8 cm) above subfloor or

floor. Use 1/2" (1.3 cm) minimum I.D. drain line fittings.

If required, the air gap should be installed in accordance with the air gap installation instructions. When you connect the air gap, a rubber hose (not provided) will be needed to connect to the waste tee or disposer inlet.



**PRODUCT DIMENSIONS**



- A. Insulation may be compressed (not used on all models).
- B. For panel ready models, dishwasher depth is 24" (60 cm) not including the 3/4" (1.9 cm) custom door panel.
- C. For Pro Line® handle, depth is 28" (70 cm).

## CABINET CUTOUT DIMENSIONS

**NOTE:** Shaded areas of cabinet walls show where utility connections may be installed.

D. Measured from the lowest point on the underside of the countertop. May be reduced to 33½" (85.1 cm) by removing the wheels and perforated area of insulation (blanket) on dishwasher.

E. Minimum, measured from narrowest point of opening.

