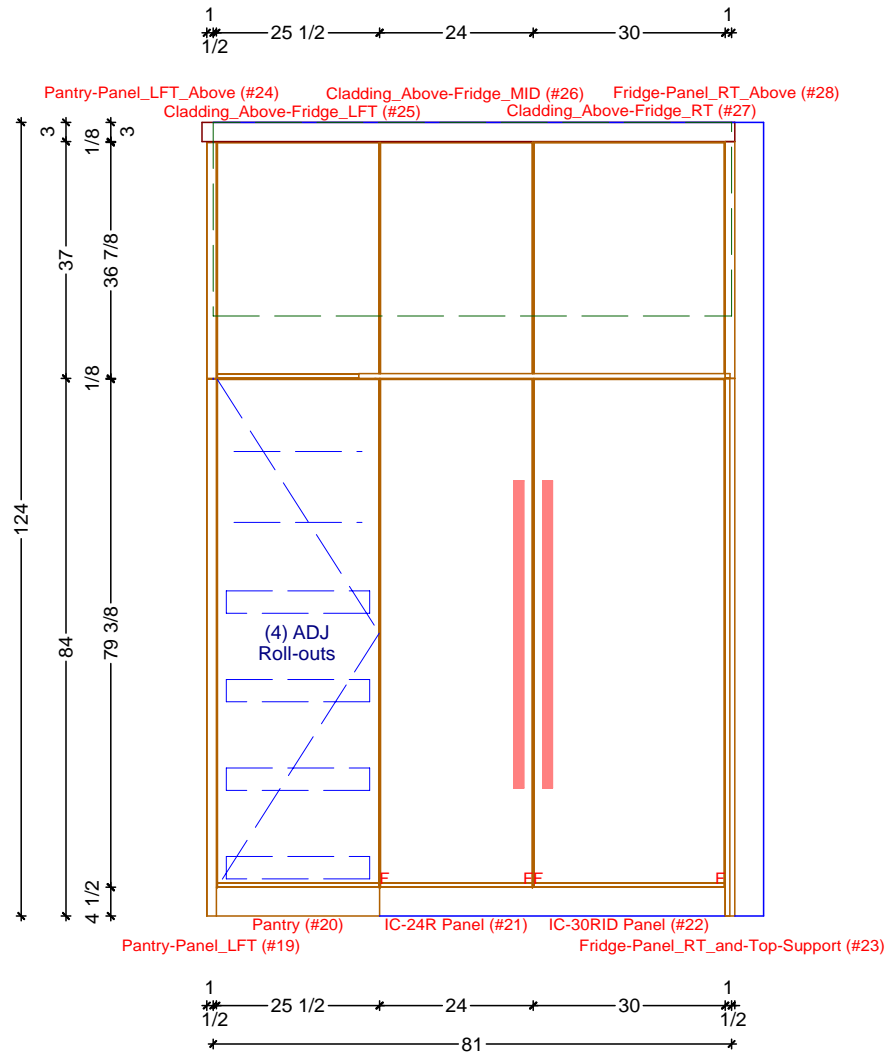
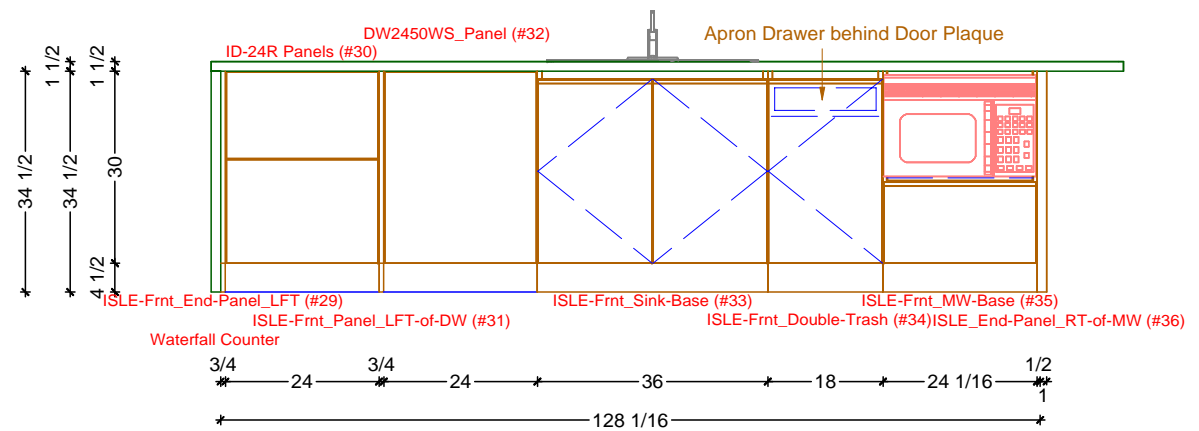


1 KITCHEN ELEVATION - RANGETOP-OVEN-COFFE RUN OF CABINETRY
 SCALE: 1:30

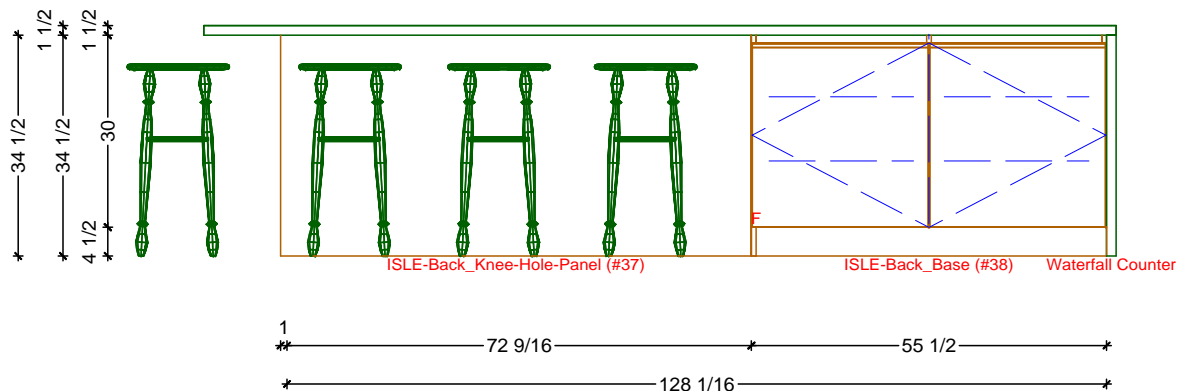




1 KITCHEN ELEVATION - FRIDGE WALL
SCALE: 1/2" = 1' 0"



2 KITCHEN ELEVATION - ISLE FRONT
SCALE: 1:30



3 KITCHEN ELEVATION - ISLE BACK
SCALE: 1:30



Classic Bath Designs, Inc.
 11544 Sheldon St., Sun Valley, CA 91352
 818.767.1144 fax: 818.767.1278



Cust: Rossi for Channel Pointe

Approved _____

PO# SngFamDwell

Job: FL-S_PreFIN/WInt-VERT:perSample_IntEB:PreFIN

Scale: As Noted

Size: L

KITCHEN

Dr By: Brian

04/12/2021

Rndr



Classic Bath Designs, Inc.
 11544 Sheldon St., Sun Valley, CA 91352
 818.767.1144 fax: 818.767.1278



Cust: Rossi for Channel Pointe

PO# SngFamDwell

Scale: As Noted

KITCHEN

Approved _____

Job: FL-S_PreFIN/WInt-VERT:perSample_IntEB:PreFIN

Size: L

Dr By: Brian

04/12/2021

Rndr



Classic Bath Designs, Inc.
 11544 Sheldon St., Sun Valley, CA 91352
 818.767.1144 fax: 818.767.1278



Cust: Rossi for Channel Pointe

Approved _____

PO# SngFamDwell

Job: FL-S_PreFIN/WInt-VERT:perSample_IntEB:PreFIN

Scale: As Noted

Size: L

KITCHEN

Dr By: Brian

04/12/2021

Rndr