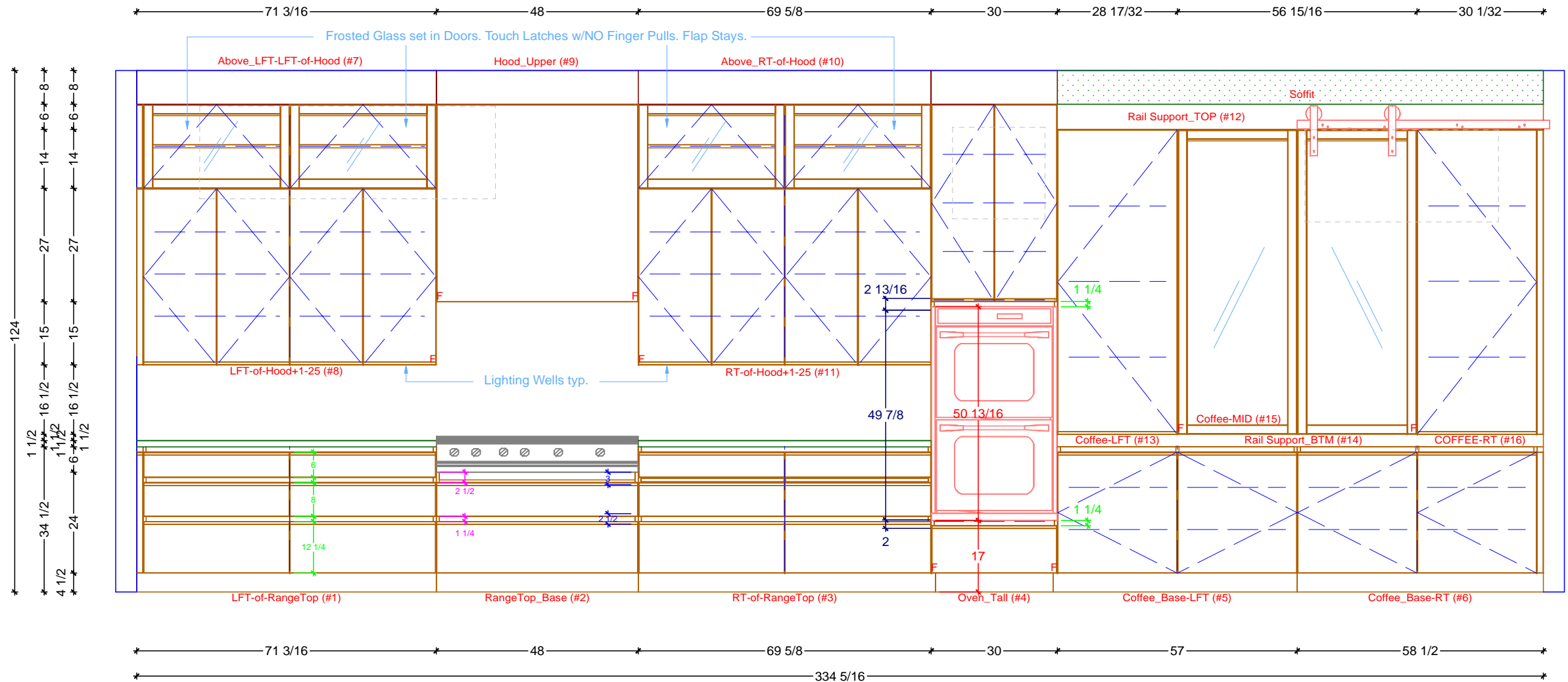
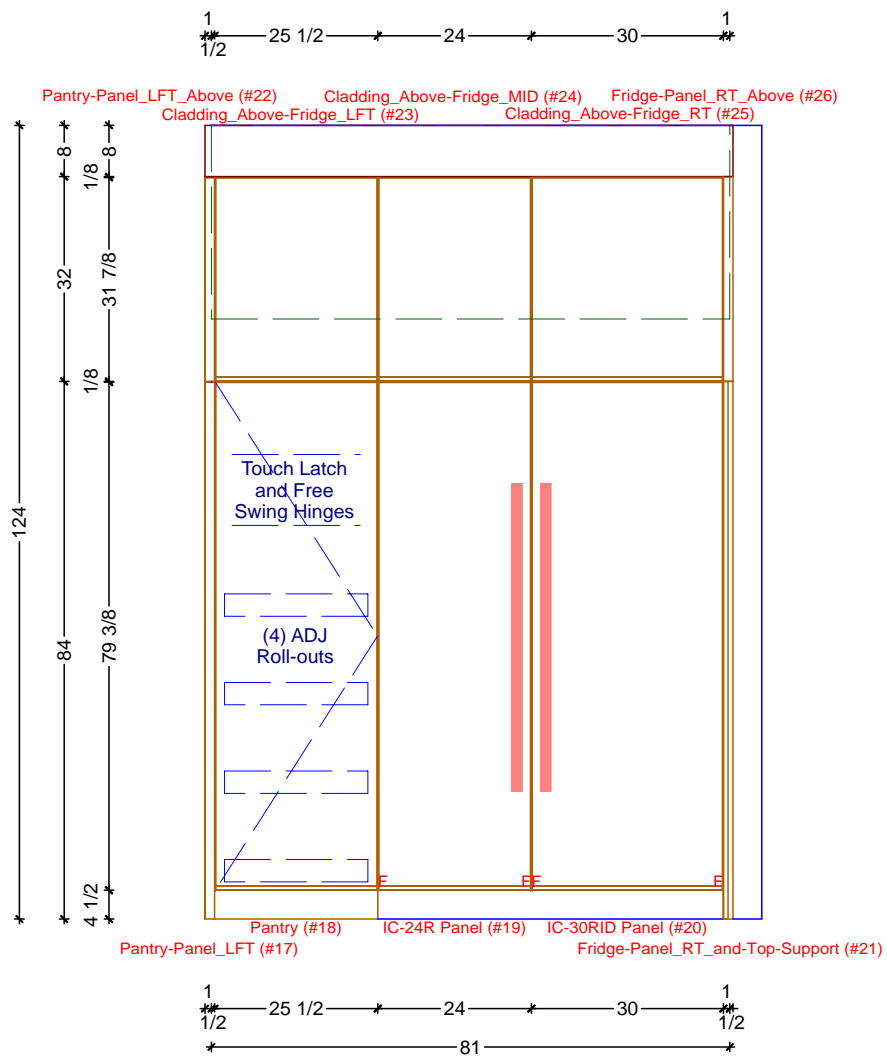



**KITCHEN CABINETRY FLOOR PLAN**  
 SCALE: 1:30

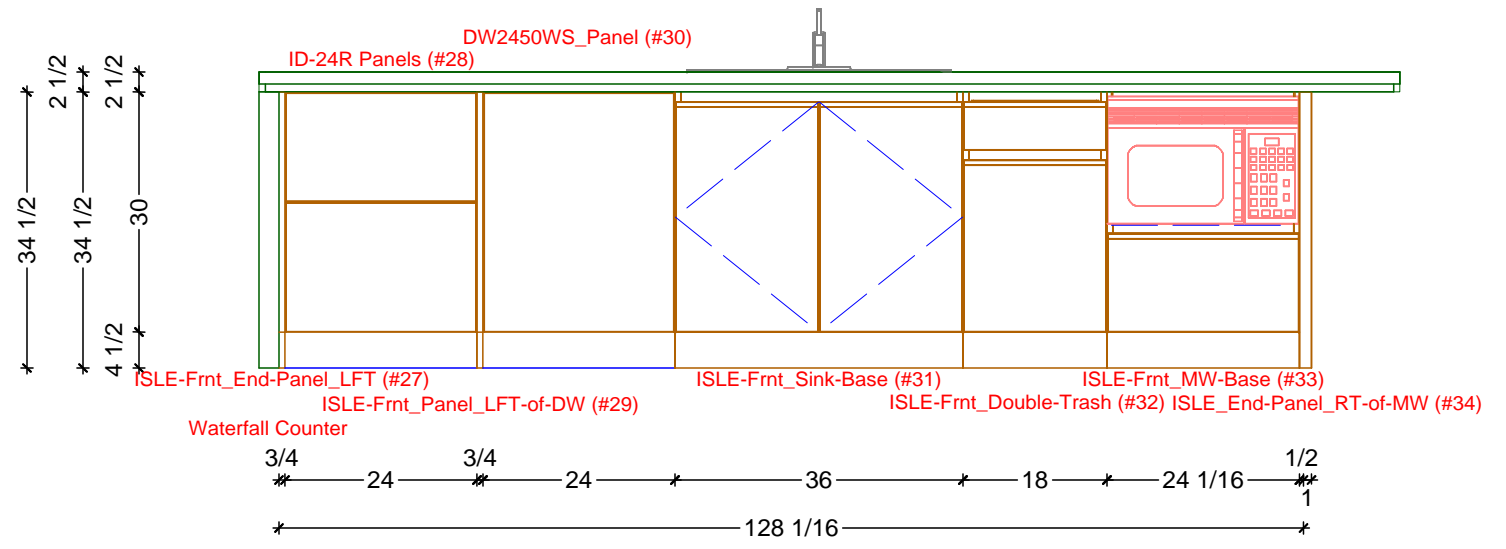


1 KITCHEN ELEVATION - RANGETOP-OVEN-COFFE RUN OF CABINETRY  
SCALE: 1:30

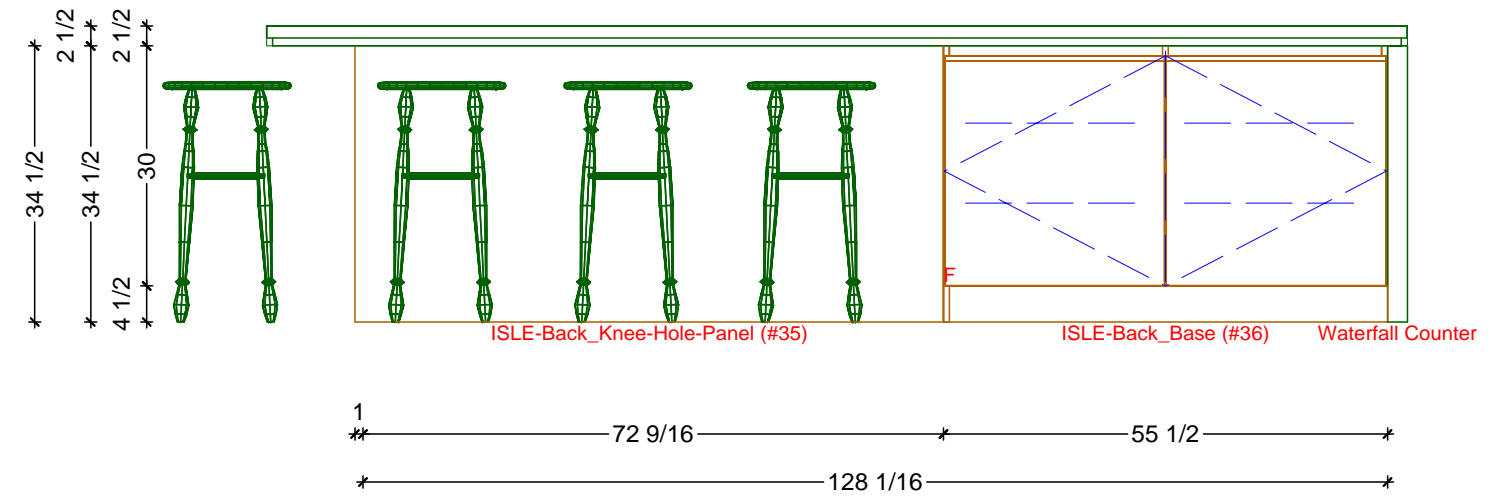




**1** KITCHEN ELEVATION - FRIDGE WALL  
SCALE: 1:30



**2** KITCHEN ELEVATION - ISLE FRONT  
SCALE: 1/2" = 1'-0"



**3** KITCHEN ELEVATION - ISLE BACK  
SCALE: 1/2" = 1'-0"





**Classic Bath Designs, Inc.**  
 11544 Sheldon St., Sun Valley, CA 91352  
 818.767.1144 fax: 818.767.1278



Cust: Rossi for Channel Pointe

PO# SngFamDwell

Scale: As Noted

KITCHEN

Approved \_\_\_\_\_

Job: FL-S\_PreFIN/WInt-VERT:perSample\_IntEB:PreFIN

Size: L

Dr By: Brian

04/26/2021

Rndr





**Classic Bath Designs, Inc.**  
 11544 Sheldon St., Sun Valley, CA 91352  
 818.767.1144 fax: 818.767.1278



Cust: Rossi for Channel Pointe

PO# SngFamDwell

Scale: As Noted

KITCHEN

Approved \_\_\_\_\_

Job: FL-S\_PreFIN/WInt-VERT:perSample\_IntEB:PreFIN

Size: L

Dr By: Brian

04/26/2021

Rndr



**Classic Bath Designs, Inc.**  
 11544 Sheldon St., Sun Valley, CA 91352  
 818.767.1144 fax: 818.767.1278



Cust: Rossi for Channel Pointe

Approved \_\_\_\_\_

PO# SngFamDwell

Job: FL-S\_PreFIN/WInt-VERT:perSample\_IntEB:PreFIN

Scale: As Noted

Size: L

KITCHEN

Dr By: Brian

04/26/2021

Rndr