 CABINETY FLOOR PLAN  
SCALE: 3/8" = 1' 0"

**Classic Bath Designs, Inc.**  
11544 Sheldon St., Sun Valley, CA 91352  
818.767.1144 fax: 818.767.1278



Cust: Rousseau for Mallard

PO# SngFamDwell

Scale: As Noted

Room

Approved \_\_\_\_\_

Job: FL-S\_MelPrnt/Beech:perSample\_IntEB:MelPrnt

Size: A

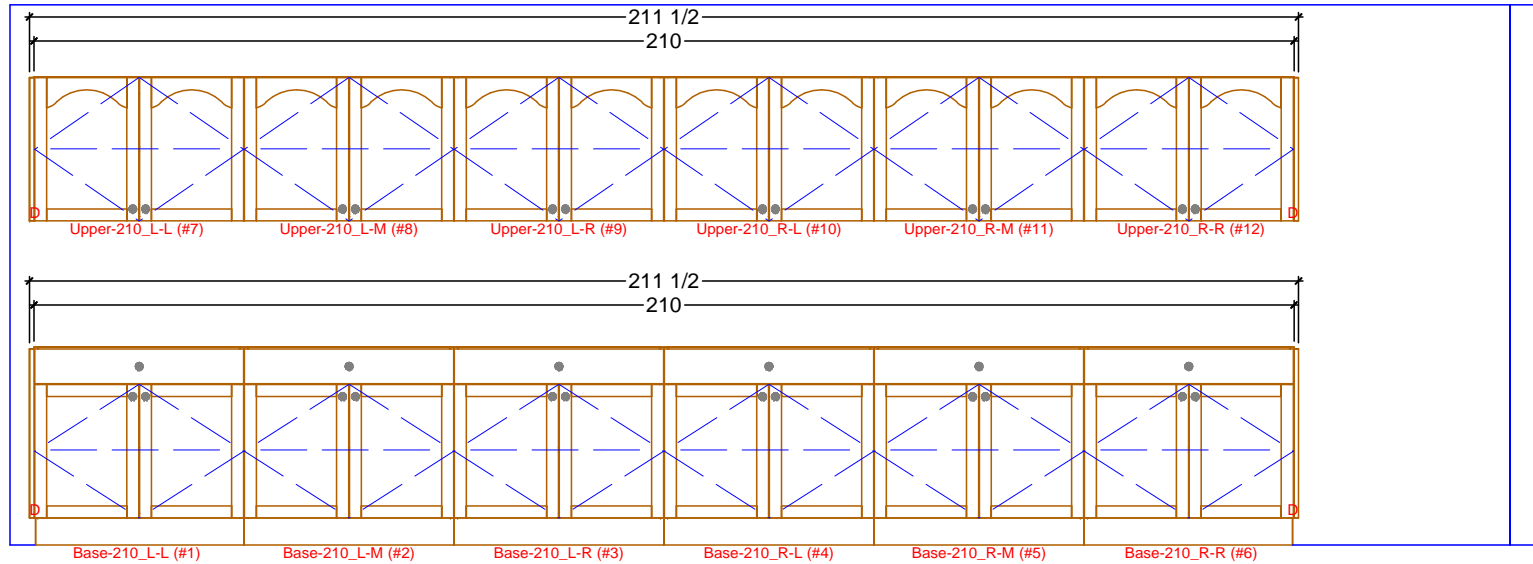
Dr By: Brian

07/16/2014

**Cb.0**

3 1/4    35 3/4    35    35    35    35    35 3/4    35 1/4

90  
36  
24  
21  
54  
28 1/2  
4 1/2



3 1/4    35 3/4    35    35    35    35    35 3/4    35 1/4  
250

1

CABINETRY ELEVATION

SCALE: 3/8" = 1' 0"

**Classic Bath Designs, Inc.**  
11544 Sheldon St., Sun Valley, CA 91352  
818.767.1144 fax: 818.767.1278



Cust: Rousseau for Mallard

PO# SngFamDwell

Scale: As Noted

Room

Approved \_\_\_\_\_

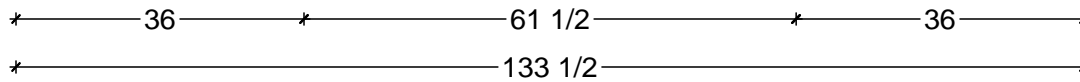
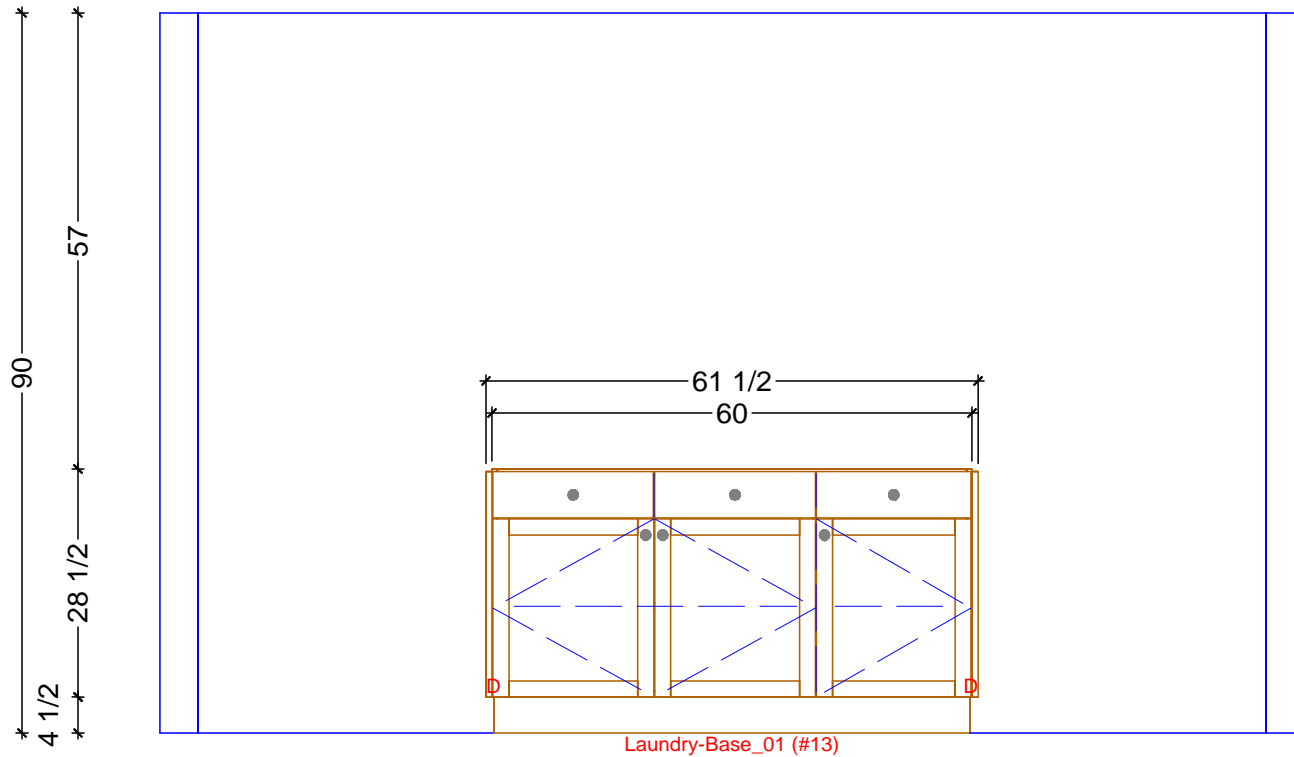
Job: FL-S\_MelPrnt/Beech:perSample\_IntEB:MelPrnt

Size: A

Dr By: Brian

07/16/2014

Cb.1



1

CABINERY ELEVATION

SCALE: 1/2" = 1' 0"

**Classic Bath Designs, Inc.**  
 11544 Sheldon St., Sun Valley, CA 91352  
 818.767.1144 fax: 818.767.1278



Cust: Rousseau for Mallard

PO# SngFamDwell

Scale: As Noted

Room

Approved \_\_\_\_\_

Job: FL-S\_MelPrnt/Beech:perSample\_IntEB:MelPrnt

Size: A

Dr By: Brian

07/16/2014

Cb.2

\*-----81 1/4-----\* \*-----34 3/4-----\* \*-----36-----\* \*-----34 3/4-----\* \*-----13 1/4-----\*

\*-----90-----\*

\*-----54-----\*

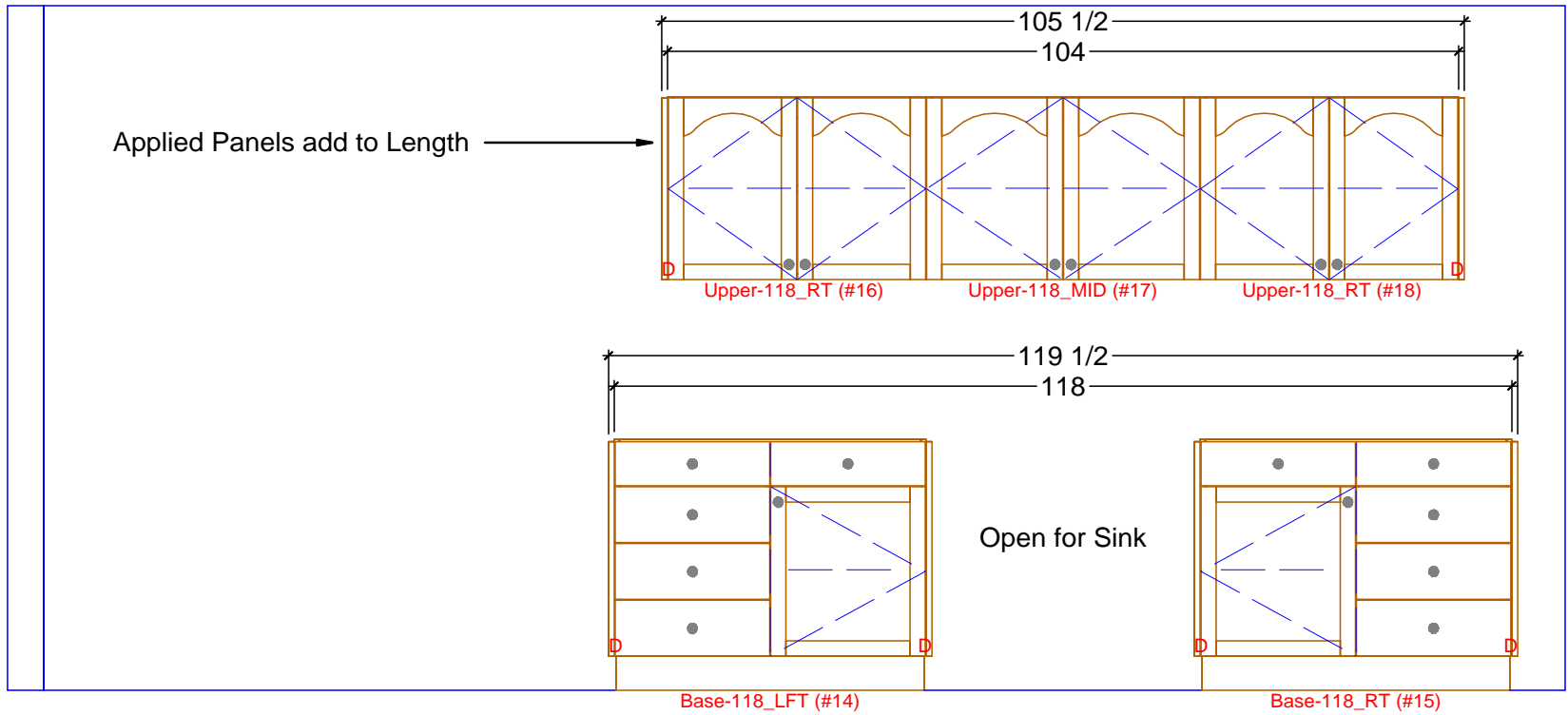
\*-----4 1/2-----\*

\*-----28 1/2-----\*

\*-----21-----\*

\*-----24-----\*

\*-----12-----\*



\*-----74 1/4-----\* \*-----42 1/2-----\* \*-----34 1/2-----\* \*-----42 1/2-----\* \*-----6 1/4-----\*

\*-----200-----\*

**1** CABINETRY ELEVATION  
SCALE: 1/2" = 1' 0"

**Classic Bath Designs, Inc.**  
11544 Sheldon St., Sun Valley, CA 91352  
818.767.1144 fax: 818.767.1278

Cust: Rousseau for Mallard	PO# SngFamDwell	Scale: As Noted	Room
Approved _____	Job: FL-S_MelPrnt/Beech:perSample_IntEB:MelPrnt	Size: A	Dr By: Brian    07/16/2014

**Cb.3**