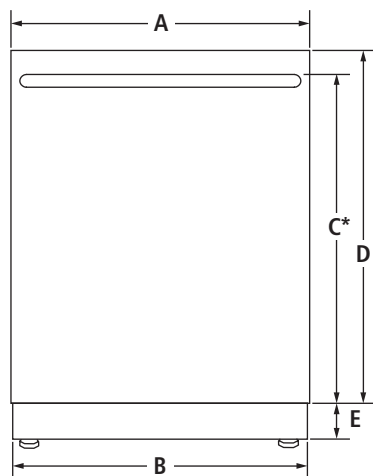


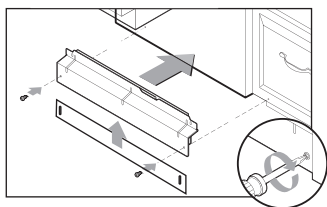
DISHWASHERS

JDB9800CW, JDB9200CW, JDB9000CW – 23¾" x 33⅞" x 26⅞" (including handle)

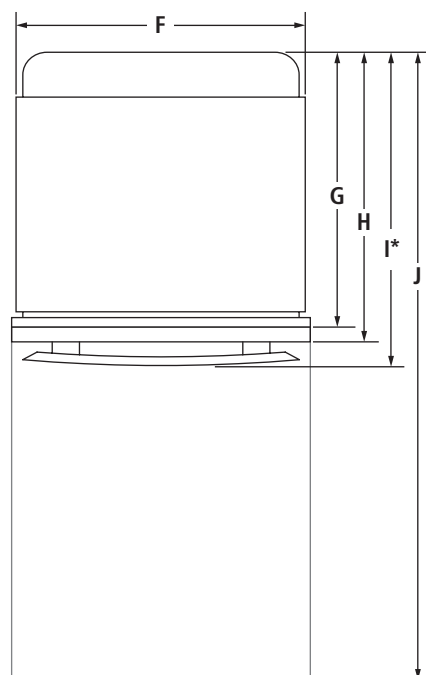
PRODUCT DIMENSIONS



FRONT VIEW



ADJUSTABLE TOE KICK



TOP VIEW

MODEL #		JDB9800CW JDB9200CW JDB9000CW	
		in	cm
<b>A</b>	Width of door	23½	59.7
<b>B</b>	Width of toe kick	23½	59.7
<b>C*</b>	Height to top of handle Pro-Style® Stainless	27⅞	70.8
	Euro-Style (color-coordinating)	27⅞	70.8
	Floating Glass	27⅞	70.8
	Custom panel (¾"/1.9 cm)	*	*
<b>D</b>	Height of door Pro-Style® Stainless	30	76.3
	Euro-Style (color-coordinating)	30	76.3
	Floating Glass	30	76.3
	Custom panel (¾"/1.9 cm)	27⅞	69.5
<b>E</b>	Height of adjustable toe kick (min.-max.)	3½- 4⅞	8.9- 10.5
<b>F</b>	Width of recessed dishwasher	23¾	60.4
<b>G</b>	Depth with tub flange	22⅞	57.4
<b>H</b>	Depth with door Pro-Style® Stainless	24⅞	62.6
	Euro-Style (color-coordinating)	24⅞	62.6
	Floating Glass	25	63.5
	Custom panel (¾"/1.9 cm)	24¾	63.0
<b>I*</b>	Depth with handle Pro-Style® Stainless	27⅞	70.8
	Euro-Style (color-coordinating)	26⅞	68.3
	Floating Glass	27⅞	70.8
	Custom panel (¾"/1.9 cm)	*	*
<b>J</b>	Depth with door fully open	49¾	126.3

\*For custom panel models, this depends on handle chosen.

**IMPORTANT:** Dimensional specifications are provided for planning purposes only.

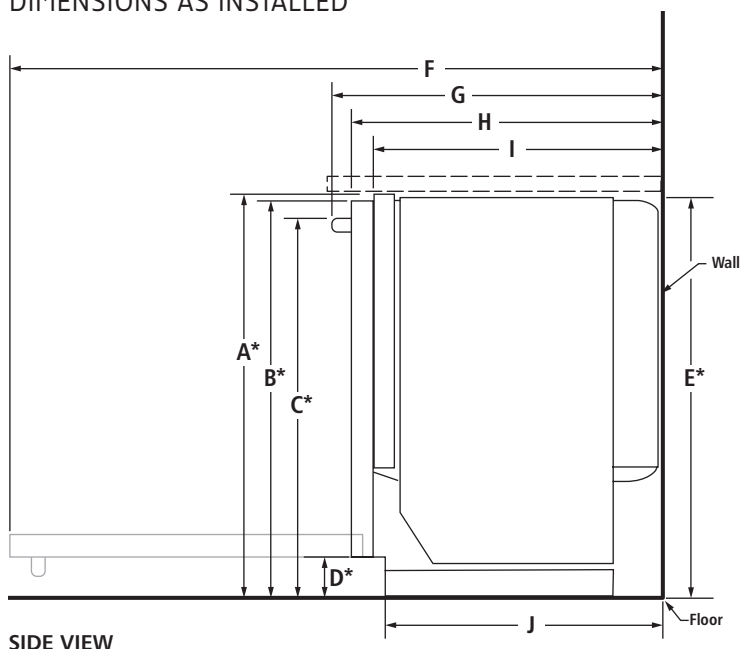
**Do not make any cutouts based on this information.** Refer to the Installation or Use & Care Guide before selecting cabinetry, verifying electrical/gas connections, making cutouts or beginning installation. All Jenn-Air® appliances are appropriately UL, CUL or CSA approved.



DISHWASHERS

JDB9800CW, JDB9200CW, JDB9000CW – 23¾" x 33⅞" x 26⅞" (including handle)

DIMENSIONS AS INSTALLED



SIDE VIEW

MODEL #		JDB9800CW JDB9200CW JDB9000CW	
		in	cm
A*	Height to top of tub flange (min.)	33⅞	86.0
B*	Height to top of door (min.)	33¾	85.7
C*	Height to top of handle (min.) Pro-Style® Stainless	31½	80.1
	Euro-Style (color-coordinating)	31½	80.1
	Floating Glass	31½	80.1
	Custom panel (¾"/1.9 cm)	†	†
D*	Height to bottom of door	3⅝	9.4
E*	Height of recessed dishwasher (min.)	33⅝	85.5
F	Depth with door fully open (min.)	49¾	126.3
	Depth with handle (min.) Pro-Style® Stainless	27⅞	70.8
G	Euro-Style (color-coordinating)	26⅞	68.3
	Floating Glass	27⅞	70.8
	Custom panel (¾"/1.9 cm)	†	†
H	Depth with door (min.)	24⅝	62.6
I	Depth with tub flange (min.)	22⅝	57.4
J	Depth with toe kick (min.)	20⅞	52.9

\*With wheels removed. Add up to ⅝" (1.6 cm) to height with wheels and leg levelers fully extended.

†For custom panel models, this depends on handle chosen.

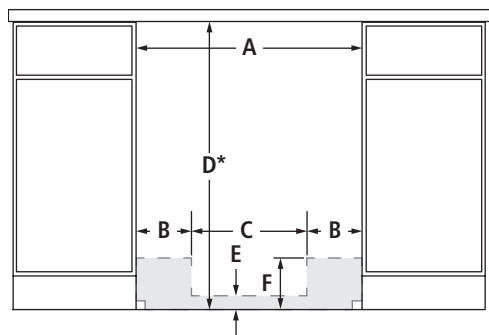
**IMPORTANT:** Dimensional specifications are provided for planning purposes only. Do not make any cutouts based on this information. Refer to the Installation or Use & Care Guide before selecting cabinetry, verifying electrical/gas connections, making cutouts or beginning installation. All Jenn-Air® appliances are appropriately UL, CUL or CSA approved.



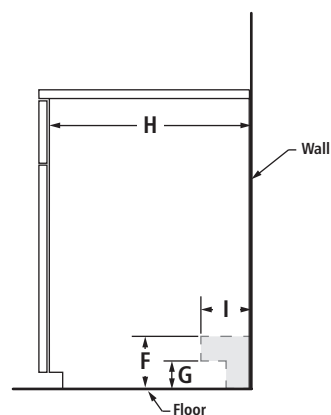
DISHWASHERS

JDB9800CW, JDB9200CW, JDB9000CW – 23¾" x 33⅞" x 26⅞" (including handle)

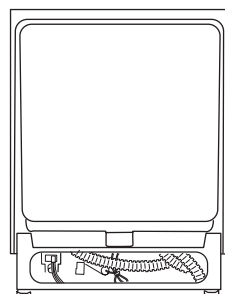
OPENING/CLEARANCE DIMENSIONS



FRONT VIEW



SIDE VIEW



BACK VIEW

MODEL #		JDB9800CW JDB9200CW JDB9000CW	
		in	cm
A	Width (min.)	24	61.0
B	Width of possible utility installation area (back wall)	6¾	17.2
C	Width of clear area (back wall)	10½	26.7
D*	Height with wheels removed (min.)	33⅞	86.0
E	Height of possible utility installation area (back wall)	2½	6.4
F	Height of possible utility installation area (back/side wall)	6¼	15.9
G	Height of clear area (side wall)	3	7.6
H	Depth (min.)	24	61.0
I	Depth of utility location (side wall)	4	10.2

**Electrical, water and drain connections may be installed in shaded areas**

Recommended drain connection location – closest to sink	1½ dia.	3.8 dia.
Recommended electrical connection location – right-hand side or back wall	1½ dia.	3.8 dia.
Recommended water connection location – left-hand side or back wall	½ dia.	1.3 dia.

\*Measured from the lowest point on the underside of countertop.

**ELECTRICAL REQUIREMENTS**

120 volt, 60 Hz, AC only, 15- or 20-amp fused, grounded circuit is required. A dedicated circuit is recommended. Use an outlet that cannot be turned off by a switch. Do not use an extension cord.

**WATER SUPPLY REQUIREMENTS**

120°F (49°C) hot water supply with water pressure between 20 and 120 psi (138 and 862 kPa) is required. If you have questions about your water pressure, call a licensed, qualified plumber.

**DRAIN REQUIREMENTS**

Connect drain hose to waste tee or disposer inlet above drain trap. Maximum drain hose length 12' (3.7 m).

**LOCATION REQUIREMENTS**

Corner locations require a 2" (5.1 cm) minimum clearance between the side of the dishwasher door and the wall or cabinet.

**IMPORTANT:** Dimensional specifications are provided for planning purposes only. Do not make any cutouts based on this information. Refer to the Installation or Use & Care Guide before selecting cabinetry, verifying electrical/gas connections, making cutouts or beginning installation. All Jenn-Air® appliances are appropriately UL, CUL or CSA approved.

