

---

## Location Requirements

Dishwasher must be fully enclosed (top, sides, back, and floor) upon installation. A side panel kit is available from your dealer for installing your dishwasher at the end of your cabinetry.

An optional moisture barrier accessory is also available for installing underneath a wooden countertop. See the "Tools and Parts" section at the front of the guide for part details and orders.

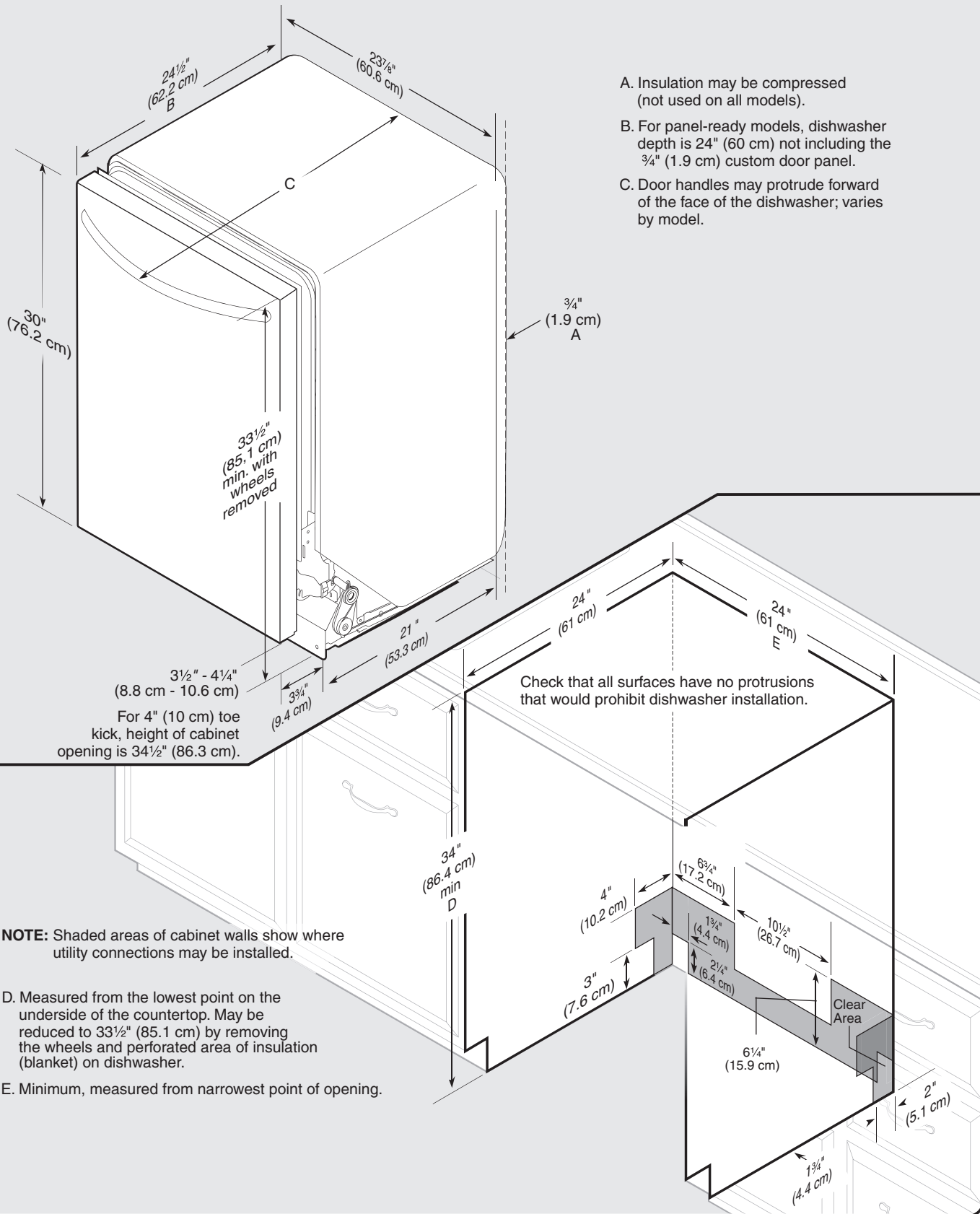
Check location where dishwasher will be installed. The location must provide:

- Convenient access for loading and unloading dishes. Corner locations require a 2" (5.1 cm) minimum clearance between the side of the dishwasher door and the wall or cabinet.
- Easy access to water, electricity and drain.
  - Grounded electrical supply required.
  - Make sure pipes, wires and drain hose are within the shaded area shown in the "Product and Cabinet Opening Dimensions" section.
  - Do not run drain lines, water lines or electrical wiring where they can interfere with or contact dishwasher motor or legs.
  - Shelter dishwasher and water lines leading to dishwasher against freezing. Damage from freezing is not covered by the warranty.

**NOTE:** If dishwasher will be left unused for a period of time or in a location where it may be subject to freezing, have it winterized by authorized service personnel.

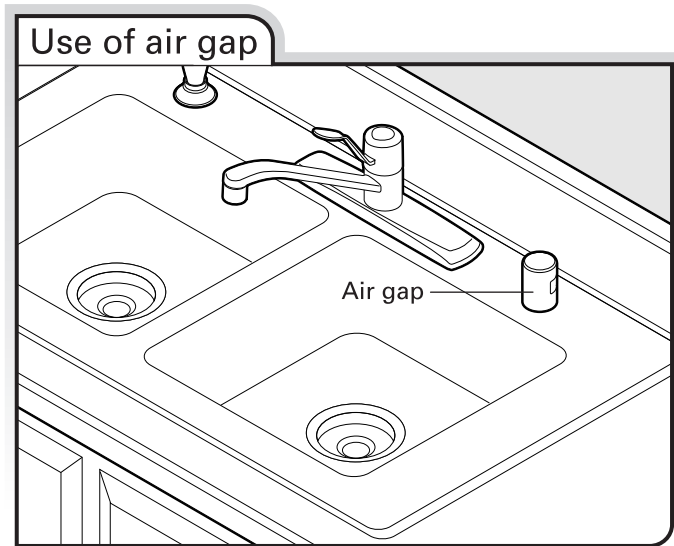
- A square opening for proper operation and appearance.
- The cabinet front to be perpendicular to floor.
- A level floor.  
**Helpful Hint:** If floor at front of opening is not level with floor at rear of opening, shims may be used to level dishwasher.  
**NOTE:** To avoid shifting during dishwasher operation, shims must be securely attached to the floor.
- The location where the dishwasher will be installed must provide clearance between motor and flooring. Motor should not touch the floor.
- Do not install dishwasher over carpeted flooring.

# Product and Cabinet Opening Dimensions



## Drain Requirements

- A new drain hose is supplied with your dishwasher. If drain hose is not long enough, use a new drain hose with a maximum length of 12 ft (3.7 m) that meets all current AHAM/ IAPMO test standards, is resistant to heat and detergent, and fits the 1" (2.5 cm) drain connector of the dishwasher. See the "Tools and Parts" section at the front of the guide for part details and orders.
- Make sure to connect drain hose to waste tee or disposer inlet above drain trap in house plumbing and 20" (50.8 cm) minimum above the floor. It is recommended that the drain hose either be looped up and securely fastened to the underside of the counter, or be connected to an air gap.



- Make sure to use an air gap if the drain hose is connected to house plumbing lower than 20" (50.8 cm) above sub floor or floor.
- If required, the air gap should be installed in accordance with the air gap installation instructions. When you are connecting the air gap, a rubber hose (not provided) will be needed to connect to the waste tee or disposer inlet.
- Use ½" minimum I.D. drain line fittings

## Water Supply Requirements

- A hot water line with 20 to 120 psi (138 to 862 kPa) water pressure can be verified by a licensed plumber.
- 120°F (49°C) water at dishwasher.
- ¾" O.D. copper tubing with compression fitting or flexible braided water supply line. See the "Tools and Parts" section at the front of the guide for part details and orders.  
**NOTE:** ½" minimum plastic tubing is not recommended.
- A 90° elbow with ¾" hose connection with rubber washer. See the "Tools and Parts" section at the front of the guide for part details and orders.
- Do not solder within 6" (15.2 cm) of the water inlet valve.

## Electrical Requirements

Be sure that the electrical connection and wire size are adequate and in conformance with the National Electrical Code, ANSI/NFPA 70 - latest edition and all local codes and ordinances.

A copy of the above code standards can be obtained from:

National Fire Protection Association  
1 Batterymarch Park  
Quincy, MA 02169-7471

### You Must Have:

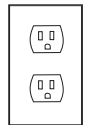
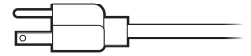
- 120-volt, 60 Hz, AC-only, 15- or 20-amp, fused electrical supply.
- Copper wire only.
- A maximum of two field wiring supply conductors (12 AWG largest size) plus one grounding conductor are permitted in the terminal box.

### We Recommend:

- A time-delay fuse or circuit breaker.
- A separate circuit.

### If Connecting Dishwasher With A Power Cord:

- Use UL Listed power cord kit marked for use with dishwasher. See the "Tools and Parts" section at the front of the guide for part details and orders.
- Power cord must plug into a grounded 3 prong outlet, located in the cabinet next to the dishwasher opening. Outlet must meet all local codes and ordinances.



### If Connecting Dishwasher With Direct Wiring:

- Use flexible, armored or nonmetallic sheathed, copper wire with grounding wire that meets the wiring requirements for your home and local codes and ordinances.
- Use a UL Listed/CSA Approved metallic strain relief. See the "Tools and Parts" section at the front of the guide for part details and orders.

