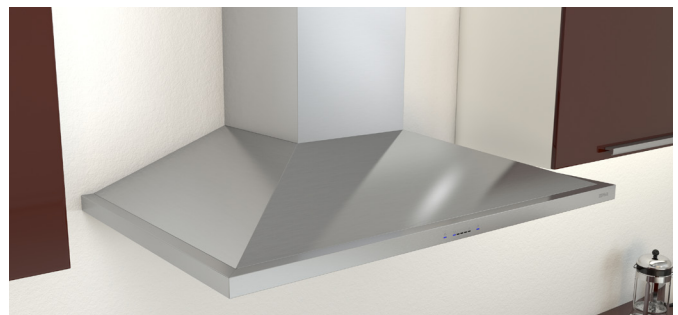


ANZIO wall

At home in either traditional or contemporary kitchens, Anzio is a low-profile, chimney-style range hood that will add style and value to any kitchen. The pyramid-like structure houses a powerful 600-CFM fan that quietly operates at 1 sones on the most common working speed.

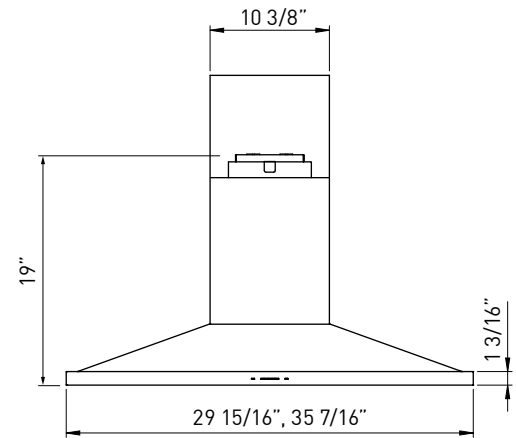
	INTERNAL BLOWER STANDARD	ACT™ INTERNAL BLOWER with AIRFLOW CONTROL TECHNOLOGY™	
Min.-Max. CFM	200 - 600	Min.-Max. CFM	200 - 390 200 - 290
Min.-Max. Sones	1 - 6	Min.-Max. Sones	1 - 4 1 - 3

ACT™ is an exclusive feature built into specific Zephyr hoods which can limit the maximum blower CFM to meet local code requirements.

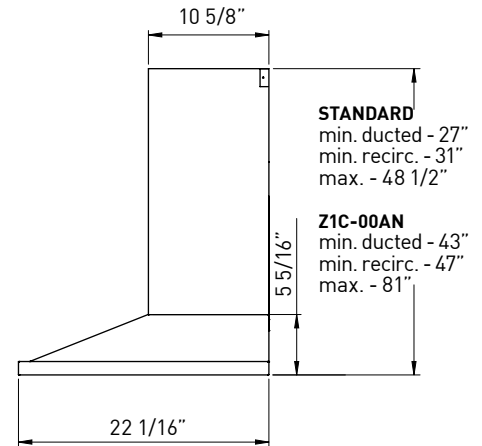


ANZIO WALL | EUROPA

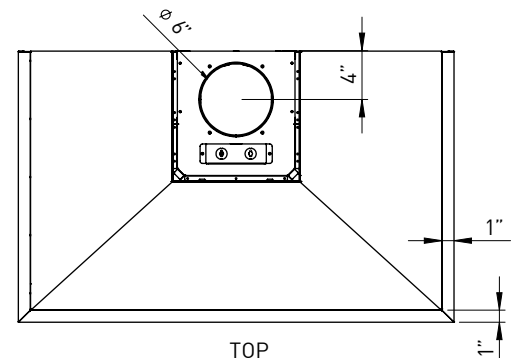
SIZE	
ZAN-E30BS	30"
ZAN-M90BS	36"
PERFORMANCE	
INTERNAL, MIN.-MAX. BLOWER CFM	200 - 600
INTERNAL, MIN.-MAX. SONES	1 - 6
COLOR	
STAINLESS STEEL	SS
FEATURES	
ACT™	Yes
CONTROLS	ICON Touch™
SPEED LEVELS	5*
5 MINUTE AUTO DELAY-OFF	Yes
LIGHTING	Halogen, 50W x2
DUAL LEVEL LIGHTING	Yes
FILTERS	Aluminum Mesh x 2
RECIRCULATING OPTION	Yes
DUCT COVER EXTENSION OPTION	Yes, Up to 12' Ceiling
DUCT SPECIFICATIONS	
VERTICAL - INTERNAL	6" Round
HORIZONTAL - INTERNAL	NA
AC POWER	
	120V, 60Hz at Max. 5A
OPTIONAL ACCESSORIES	
RECIRCULATING KIT	ZRC-00AN
EXTENSION DUCT COVER	Z1C-00AN
UNIVERSAL MAKE-UP AIR KIT	MUA006A
MOUNTING HEIGHT*	
	26" - 34"
WARRANTY	
	3 Years Parts, 1 Year Labor



FRONT



SIDE



TOP

Specifications subject to change, check zephyronline.com for up-to-date information.

		CEILING HEIGHT	8'	8.5'	9'	9.5'	10'	10.5'	11'	12'
STANDARD DUCT COVER	Ducted Mounting Height*		26"-33"	26"-34"	26"-34"	29.5"-34"	NA	NA	NA	NA
	Recirc. Mounting Height*		26"-29"	26"-34"	26"-34"	29.5"-34"	NA	NA	NA	NA
EXTENSION DUCT COVER	Ducted Mounting Height*		NA	NA	26"-29"	26"-34"	26"-34"	26"-34"	26"-34"	27"-34"
	Recirc. Mounting Height*		NA	NA	NA	26"-31"	26"-34"	26"-34"	26"-34"	27"-34"

*When ACT™ is enabled the maximum speed levels will change. ACT 390 CFM = 4 speeds and ACT 290 CFM = 3 speeds.

**Mounting height refers to distance between top of a 36" tall cooking surface and bottom of hood.

