

# INSTALLATION INSTRUCTIONS

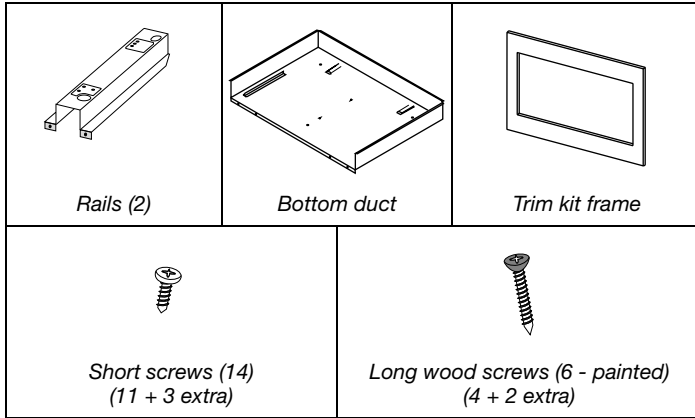
## Tools and Parts

### Tools Needed

Gather the required tools and parts before starting installation. Read and follow the instructions provided with any tools listed here.

- Measuring tape
- Drill
- Pencil
- 7/64" drill bit
- Phillips screwdriver

### Parts Supplied (not shown to scale)

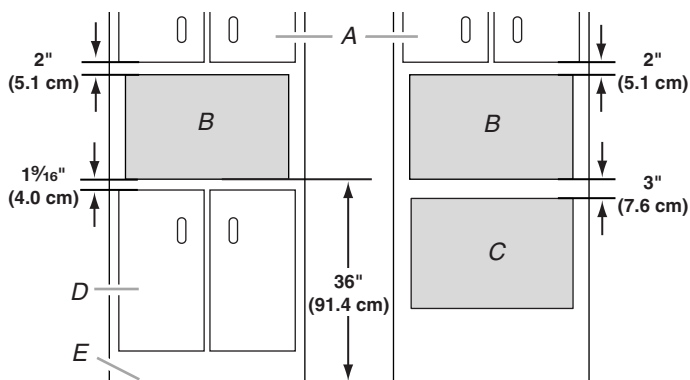


## Location Requirements

The microwave oven may be installed over a built-in oven. If installing over a built-in oven, make sure there is a minimum of 3" (7.6 cm) between the top of the lower oven cutout and the microwave oven cutout floor.

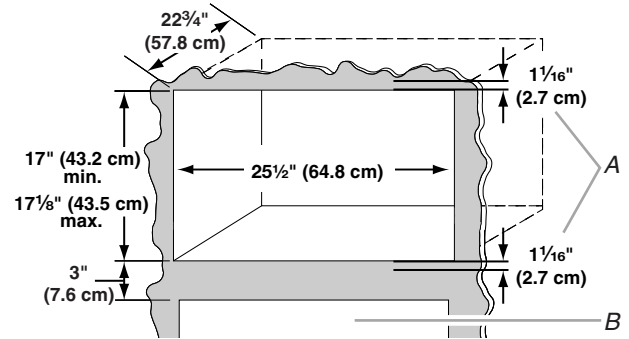
The microwave oven may also be installed in a cabinet by itself (without a built-in oven below). For best usability, we recommend a minimum distance of 36" (91.4 cm) from the floor to the cutout floor.

Make sure the surrounding cabinetry has clearance to open and close freely. Allow a clearance of at least 1<sup>9</sup>/<sub>16</sub>" (4.0 cm) below the cutout floor (3" [7.6 cm] for installation above a built-in oven), and a clearance of at least 2" (5.1 cm) above the cutout opening.



A. Upper cabinet  
 B. Microwave oven cutout  
 C. Lower oven cutout  
 D. Lower cabinets  
 E. Floor

## Required Cutout Dimensions

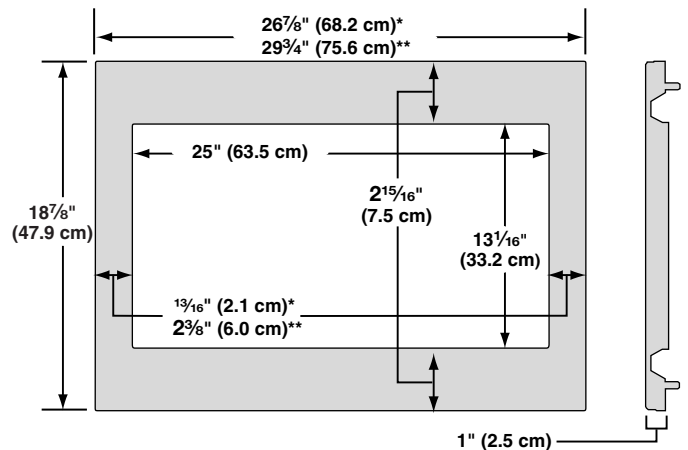


A. Trim kit frame overhang  
 B. Cutout for lower oven

### NOTES:

- Height dimension is critical: 17" (43.2 cm) minimum, 17<sup>1</sup>/<sub>8</sub>" (43.5 cm) maximum.
- Width and depth measurements have ±1/16" (2 mm) tolerance.
- 3" (7.6 cm) minimum dimension is from lower oven cutout ceiling to microwave oven cutout floor.
- Trim kit frame extends 1<sup>1</sup>/<sub>16</sub>" (2.7 cm) above and below the cutout opening.

## Trim Kit Frame Dimensions



\*27" (68.6 cm) trim kit  
 \*\*30" (76.2 cm) trim kit

## Electrical Requirements

### **⚠ WARNING**



#### Electrical Shock Hazard

Plug into a grounded 3 prong outlet.

Do not remove ground prong.

Do not use an adapter.

Do not use an extension cord.

Failure to follow these instructions can result in death, fire, or electrical shock.

Observe all governing codes and ordinances.

#### Required:

- A 120 volt, 60 Hz, AC only, 15- or 20-amp electrical supply with a fuse or circuit breaker.

#### Recommended:

- A time-delay fuse or time-delay circuit breaker.
- A separate circuit serving only this microwave oven.

## GROUNDING INSTRUCTIONS

#### ■ For all cord connected appliances:

The microwave oven must be grounded. In the event of an electrical short circuit, grounding reduces the risk of electric shock by providing an escape wire for the electric current. The microwave oven is equipped with a cord having a grounding wire with a grounding plug. The plug must be plugged into an outlet that is properly installed and grounded.

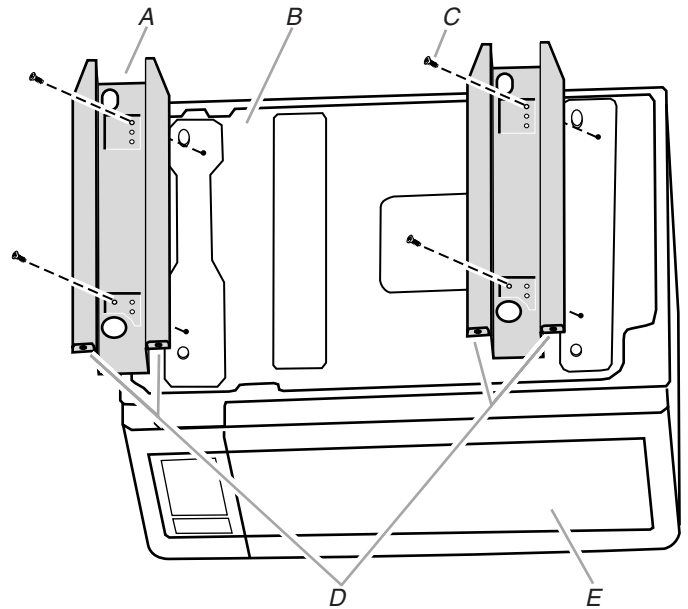
**WARNING:** Improper use of the grounding plug can result in a risk of electric shock. Consult a qualified electrician or serviceman if the grounding instructions are not completely understood, or if doubt exists as to whether the microwave oven is properly grounded.

Do not use an extension cord. If the power supply cord is too short, have a qualified electrician or serviceman install an outlet near the microwave oven.

## SAVE THESE INSTRUCTIONS

## Prepare Microwave Oven

1. Unplug microwave oven before proceeding with installation.
2. Remove any loose items inside microwave oven.
3. Gently turn microwave oven onto its top, with the door facing forward (toward installer).
4. Align the #33 holes on the microwave oven bottom with the #33 holes on the rails, as shown, making sure the flanges are forward and pointing up.



A. Rails (2)

B. Microwave oven bottom

C. Short screws (4)

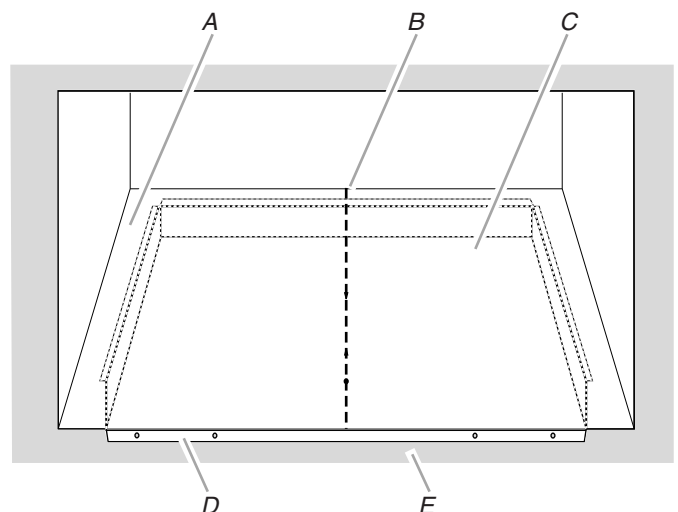
D. Flanges

E. Door

5. Secure the rails to the microwave oven bottom using four short screws through the #33 hole sets.

## Prepare Cutout/Cabinet Opening

1. On the cutout floor, find and mark the centerline.
2. Place the bottom duct in the opening, with the flange resting against the bottom front facing of the opening.



A. Cutout floor

B. Centerline

C. Bottom duct

D. Bottom duct flange

E. Front facing