

In the State of Massachusetts, the following installation instructions apply:

- Installations and repairs must be performed by a qualified or licensed contractor, plumber, or gasfitter qualified or licensed by the State of Massachusetts.
- If using a ball valve, it shall be a T-handle type.
- A flexible gas connector, when used, must not exceed 3 feet.

INSTALLATION REQUIREMENTS

Tools and Parts

Gather the required tools and parts before starting installation. Read and follow the instructions provided with any tools listed here.

Tools Needed

- Adjustable wrench
 - Tape measure
 - Marker or pencil
 - Pipe wrench
 - Flat-blade screwdriver
 - $1\frac{5}{16}$ " combination wrench
 - Wrench or channel lock pliers
 - Pipe-joint compound resistant to LP gas
 - Noncorrosive leak-detection solution
- For LP/Natural Gas Conversions**
- Adjustable wrench
 - $\frac{3}{8}$ " drive ratchet
 - $\frac{1}{2}$ " deep-well socket
 - 7 mm nut driver
 - Masking tape

Parts Supplied

Check that all parts are included.

- Gas pressure regulator
- Burner grates
- Burner bases and burner caps
- Griddle drip tray (on griddle models)
- Foam tape
- LP orifice package (W10393255)
- Conversion label (W10393342)

NOTE: The cooktop is manufactured for use with Natural gas. To convert to LP gas, see the "Gas Conversions" section.

Optional Backguards

48" (121.9 cm) models must be installed with a backsplash if installing at zero clearance to a combustible backwall. See "Cabinet Dimensions" in the "Location Requirements" section for installation requirements.

- 36" (91.4 cm) Retractable Backguard
Order Part Number 8284756
- 48" (121.9 cm) Retractable Backguard
Order Part Number 8284755
- 9" (22.9 cm) Backguard for 36" (91.4 cm) Cooktops
Order Part Number W10115776
- 9" (22.9 cm) Backguard for 48" (121.9 cm) Cooktops
Order Part Number W10115777
- 33 $\frac{1}{2}$ " (85.0 cm) Retractable Backguard with Wire Shelf for 36" (91.4 cm) Cooktops
Order Part Number W10285448
- 33 $\frac{1}{2}$ " (85.0 cm) Retractable Backguard with Wire Shelf for 48" (121.9 cm) Cooktops
Order Part Number W10285449

To order, see the "Assistance or Service" section of the Use and Care Guide.

Check local codes and consult gas supplier. Check existing gas supply and electrical supply. See "Electrical Requirements" and "Gas Supply Requirements" sections.

High Altitude Conversion

To convert the cooktop for elevations above 6,560 ft (1999.5 m), order a High Altitude Conversion Kit.

- Part Number W10394296 - LP high altitude
- Part Number W10394295 - Natural gas high altitude

To order, see the "Assistance or Service" section of the Use and Care Guide.

Location Requirements

IMPORTANT: Observe all governing codes and ordinances. Do not obstruct flow of combustion and ventilation air.

- It is the installer's responsibility to comply with installation clearances specified on the model/serial rating plate. The model/serial rating plate is located on the underside of the cooktop burner base.
- It is recommended that a 600 CFM or larger vent hood be installed above the cooktop.
- It is not recommended that a microwave hood combination be mounted above the cooktop.
- The cooktop should be installed in a location away from strong draft areas, such as windows, doors and strong heating vents or fans.
- All openings in the wall or floor where cooktop is to be installed must be sealed.
- Cabinet opening dimensions that are shown must be used. Given dimensions are minimum clearances.
- Grounded electrical supply is required. See "Electrical Requirements" section.
- Proper gas supply connection must be available. See "Gas Supply Requirements" section.
- The cooktop is designed to hang from the countertop by its side or rear flanges.
- The gas and electric supply should be located as shown in "Gas and Electric Connection Locations" section so that they are accessible without requiring removal of the cooktop.
- Provide cutout in left rear corner of cutout enclosure as shown to provide clearance for gas inlet, power supply cord, and to allow the rating label to be visible.

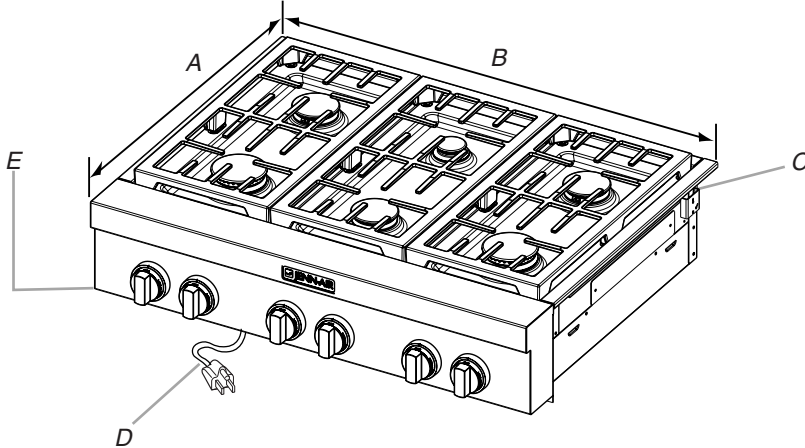
IMPORTANT: To avoid damage to your cabinets, check with your builder or cabinet supplier to make sure that the materials used will not discolor, delaminate or sustain other damage.

Mobile Home - Additional Installation Requirements

The installation of this cooktop must conform to the Manufactured Home Construction and Safety Standard, Title 24 CFR, Part 3280 (formerly the Federal Standard for Mobile Home Construction and Safety, Title 24, HUD Part 280). When such standard is not applicable, use the Standard for Manufactured Home Installations, ANSI A225.1/NFPA 501A or local codes.

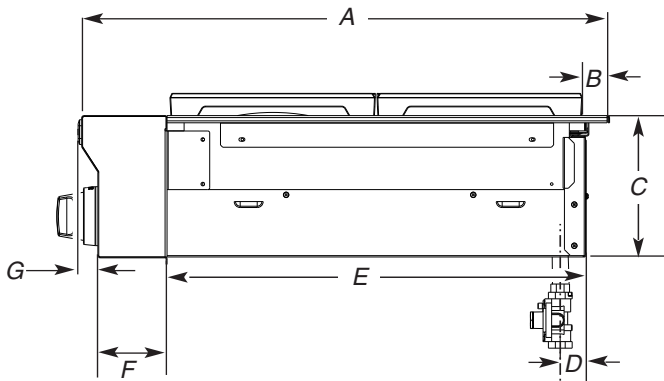
In Canada, the installation of this cooktop must conform with the current standards CAN/CSA-A240-latest edition, or with local codes.

Product Dimensions



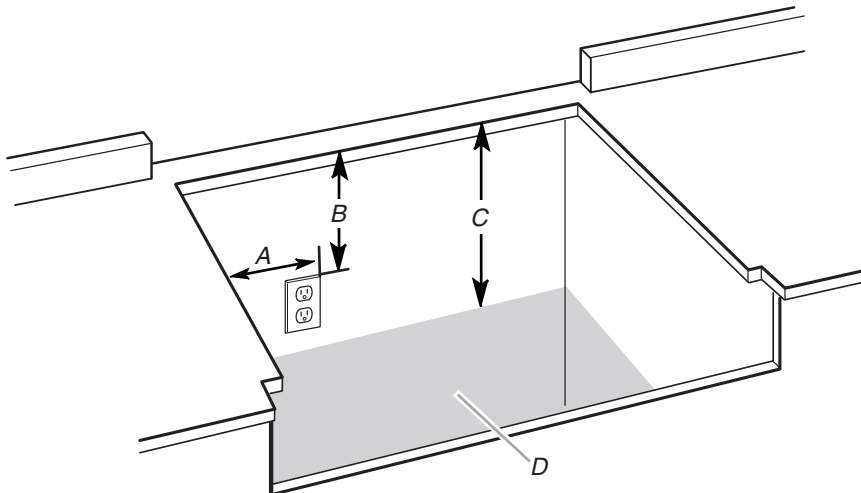
- A. 27 1/8" (68.9 cm)
- B. 30" (76.2 cm) cooktop: 29 7/8" (75.1 cm) actual width
36" (91.4 cm) cooktop: 35 7/8" (90.4 cm) actual width
48" (121.9 cm) cooktop: 47 7/8" (120.8 cm) actual width
- C. Island trim or optional backguard
- D. 36" (91.4 cm) long 3 prong grounding-type power supply cord
- E. Model/serial rating plate (located on the underside of the cooktop burner base)

Side View of Cooktop



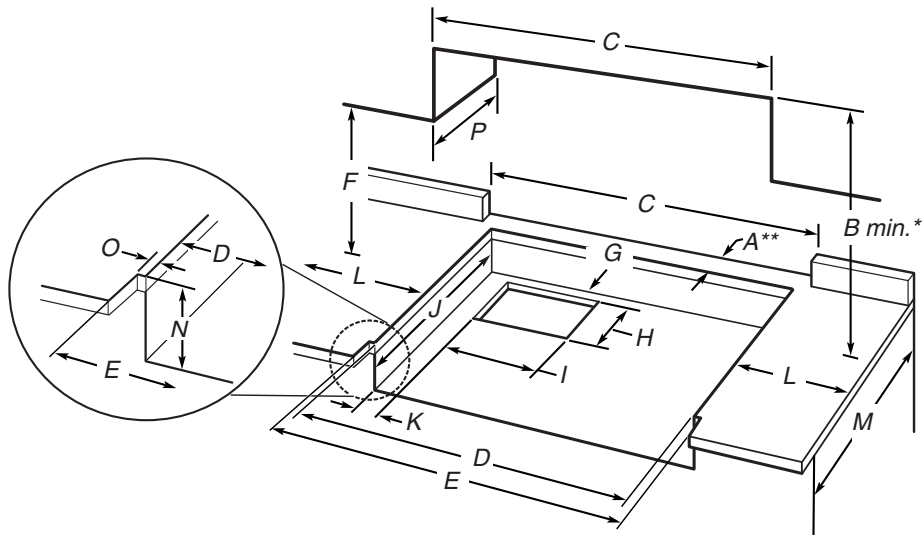
- A. 27 3/4" (70.5 cm)
- B. 1 1/4" (3.2 cm)
- C. 7 7/16" (18.8 cm)
- D. Gas inlet is located 1 7/8" (4.8 cm) from the back of the cooktop burner base and 4 7/8" (12.4 cm) in from left-hand side of the cooktop burner base.
- E. 22" (55.9 cm)
- F. 3 5/16" (8.4 cm)
- G. 9/16" (1.4 cm)

Gas and Electric Connection Locations



- A. Grounded 3-prong outlet should be located on left-hand side of the cutout 16" (40.6 cm) max. from enclosure sidewall
 - B. 10" (25.4 cm) min. clearance from countertop to top of the outlet
 - C. 14" (35.6 cm) countertop to the gas supply line
 - D. Gas supply line should be located in this area on rear or side walls, or the supply line can come up through the floor.
- NOTE:** Solid side and bottom of cutout enclosure not shown.

Cabinet Requirements



- A. See chart.
- B. See chart.
- C. See chart.
- D. See chart.
- E. See chart.
- F. 18" (45.7 cm) min. clearance upper cabinet to countertop
- G. 3/4" (1.9 cm) back of cabinet cutout to gas opening cutout
- H. 6 7/8" (16.1 cm) gas opening cutout depth
- I. 12 1/2" (31.7 cm) gas opening cutout width
- J. 22 1/4" (56.5 cm) cabinet cutout depth
- K. 2" (5.1 cm) cabinet side to gas cutout
- L. 6" (15.2 cm) min. distance on both sides of the cooktop to the side wall or other combustible material above cooking surface
- M. 24" (61.0 cm) cabinet depth
- N. 7 1/4" (18.4 cm) cabinet depth to countertop
- O. Notch to be equal on both sides
- P. 13" (33.0 cm) upper cabinet depth

| Size | Model | A** Cooktop Cutout to Back Wall | B* Cooktop to Cabinet | C Optional Backguard and Upper Cabinet Opening | D Cabinet and Countertop | E Countertop Only |
|----------------|--------------------|------------------------------------|--------------------------|---|-----------------------------|---|
| 30" (76.2 cm) | JGCP430 | 1 3/4" (4.4 cm)** | 30" (76.2 cm) | 30" (76.2 cm) | 29 1/4" (74.3 cm) | 30" (76.2 cm) or 29 7/8" (75.9 cm) for zero clearance |
| 36" (91.4 cm) | JGCP436 JGCP536 | 1 3/4" (4.4 cm)** | 42" (106.7 cm) | 36" (91.4 cm) | 35 1/4" (89.5 cm) | 36" (91.4 cm) or 35 7/8" (91.1 cm) for zero clearance |
| 48" (121.9 cm) | JGCP548 | 1 3/4" (4.4 cm)** | 42" (106.7 cm) | 48" (121.9 cm) | 47 1/4" (120.0 cm) | 48" (121.9 cm) or 47 7/8" (121.6 cm) for zero clearance |

***NOTES:** Dimension "B" can be reduced by 6" (15.2 cm) when bottom of wood or metal cabinet is covered by not less than 0.25" (6.4 mm) flame retardant millboard covered with not less than No. 28 MSG sheet metal, 0.015" (0.4 mm) stainless steel, 0.024" (0.6 mm) aluminum or 0.020" (0.5 mm) copper.

If installing a range hood above the cooktop, follow the range hood instructions for dimensional clearances above the cooktop surface.

****NOTE:** If back wall is constructed of a combustible material and a backguard is not installed, a minimum clearance of dimension A + 3" (7.6 cm) is required for 36" (91.4 cm) and 48" (121.9 cm) cooktops.

Electrical Requirements

⚠ WARNING



Electrical Shock Hazard

- Plug into a grounded 3 prong outlet.
- Do not remove ground prong.
- Do not use an adapter.
- Do not use an extension cord.
- Failure to follow these instructions can result in death, fire, or electrical shock.

IMPORTANT: The cooktop must be electrically grounded in accordance with local codes and ordinances, or in the absence of local codes, with the National Electrical Code, ANSI/NFPA 70 or Canadian Electrical Code, CSA C22.1.

This cooktop is equipped with an electronic ignition system that will not operate if plugged into an outlet that is not properly polarized.

If codes permit and a separate ground wire is used, it is recommended that a qualified electrical installer determine that the ground path is adequate.

A copy of the above code standards can be obtained from:

National Fire Protection Association
1 Batterymarch Park
Quincy, MA 02169-7471

CSA International
8501 East Pleasant Valley Road
Cleveland, Ohio 44131-5575

- A 120 volt, 60 Hz, AC only, 15-amp, fused electrical circuit is required. A time-delay fuse or circuit breaker is also recommended. It is recommended that a separate circuit serving only this cooktop be provided.
- Electronic ignition systems operate within wide voltage limits, but proper grounding and polarity are necessary. Check that the outlet provides 120-volt power and is correctly grounded.
- The wiring diagrams are provided with this cooktop. The wiring diagrams are located inside the control console and in the "Wiring Diagrams" section.

Gas Supply Requirements

⚠ WARNING



Explosion Hazard

- Use a new CSA International approved gas supply line.
- Install a shut-off valve.
- Securely tighten all gas connections.
- If connected to LP, have a qualified person make sure gas pressure does not exceed 14" (36 cm) water column.
- Examples of a qualified person include:
licensed heating personnel,
authorized gas company personnel, and
authorized service personnel.
- Failure to do so can result in death, explosion, or fire.

Observe all governing codes and ordinances.

IMPORTANT: This installation must conform with all local codes and ordinances. In the absence of local codes, installation must conform with American National Standard, National Fuel Gas Code ANSI Z223.1 - latest edition or CAN/CGA B149 - latest edition.

IMPORTANT: Leak testing of the cooktop must be conducted according to the manufacturer's instructions.

Type of Gas

Natural Gas:

This cooktop is design-certified by CSA International for use with Natural gas or, after proper conversion, for use with LP gas.

- This cooktop is factory-set for use with Natural gas. To convert to LP gas, see the Gas Conversion instructions provided in the package containing literature. The model/serial rating plate located on the left underside of the cooktop burner base has information on the types of gas that can be used. If the types of gas listed do not include the type of gas available, check with the local gas supplier.

LP Gas conversion:

Conversion must be done by a qualified service technician.

No attempt shall be made to convert the cooktop from the gas specified on the model/serial rating plate for use with a different gas without consulting the serving gas supplier. To convert to LP gas, use the LP gas conversion kit provided with the cooktop and see the "Gas Conversions" section.

Gas Supply Line

- Provide a gas supply line of 3/4" (1.9 cm) rigid pipe to the cooktop location. A smaller size pipe on longer runs may result in insufficient gas supply. With LP gas, piping or tubing size can be 1/2" (1.3 cm) minimum. Usually, LP gas suppliers determine the size and materials used in the system.

NOTE: Pipe-joint compounds that resist the action of LP gas must be used. Do not use TEFLON^{®†} tape.

†TEFLON is a registered trademark of E.I. Du Pont De Nemours and Company.

Flexible metal appliance connector:

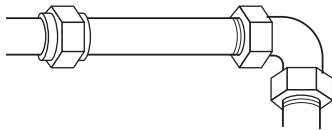
- If local codes permit, a new CSA design-certified, 4 - 5 ft (122 - 152.4 cm) long, $\frac{5}{8}$ " (1.6 cm) or $\frac{3}{4}$ " (1.9 cm) I.D., flexible metal appliance connector may be used for connecting the cooktop to the gas supply line.



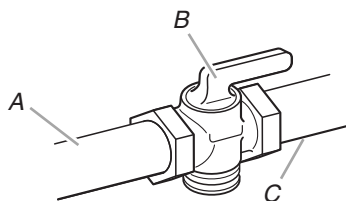
- A $\frac{1}{2}$ " (1.3 cm) male pipe thread is needed for connection to the female pipe threads of the inlet to the appliance pressure regulator.
- Do not kink or damage the flexible metal tubing when moving the cooktop.

Rigid pipe connection:

The rigid pipe connection requires a combination of pipe fittings to obtain an in-line connection to the cooktop. The rigid pipe must be level with the cooktop connection. All strains must be removed from the supply and fuel lines so cooktop will be level and in line.



- Must include a shutoff valve:
The supply line must be equipped with a manual shutoff valve. This valve should be located in the same room but external to the cooktop enclosure or cabinet. It should be in a location that allows ease of opening and closing. Do not block access to shutoff valve. The valve is for turning on or shutting off gas to the cooktop.



A. Gas supply line
B. Shutoff valve "open" position
C. To cooktop

Gas Pressure Regulator

The gas pressure regulator supplied with this cooktop must be used. The inlet pressure to the regulator should be as follows for proper operation:

Natural Gas:

Minimum pressure: 6" (15.2 cm) WCP

Maximum pressure: 14" (35.5 cm) WCP

LP Gas:

Minimum pressure: 11" (27.9 cm) WCP

Maximum pressure: 14" (35.5 cm) WCP

Contact local gas supplier if you are not sure about the inlet pressure.

Burner Input Rating - Altitude

Input ratings shown on the model/serial rating plate are for elevations up to 2,000 ft (609.6 m).

For elevations above 2,000 ft (609.6 m), ratings need to be reduced at a rate of 4% for each 1,000 ft (304.8 m) above sea level (not applicable for Canada).

Gas Supply Pressure Testing

Gas supply pressure for testing regulator must be at least 1" water column pressure above the manifold pressure shown on the model/serial rating plate.

Line pressure testing above $\frac{1}{2}$ psi gauge (14" WCP)

The cooktop and its individual shutoff valve must be disconnected from the gas supply piping system during any pressure testing of that system at test pressures in excess of $\frac{1}{2}$ psi (3.5 kPa).

Line pressure testing at $\frac{1}{2}$ psi gauge (14" WCP) or lower

The cooktop must be isolated from the gas supply piping system by closing its individual manual shutoff valve during any pressure testing of the gas supply piping system at test pressures equal to or less than $\frac{1}{2}$ psi (3.5 kPa).

INSTALLATION INSTRUCTIONS

Install Cooktop

⚠ WARNING

Excessive Weight Hazard

Use two or more people to move and install cooktop.

Failure to do so can result in back or other injury.

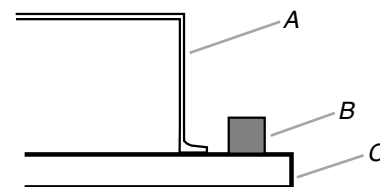
Write down the model and serial numbers before installing the cooktop. Both numbers are located on the left front underside of the cooktop base.

Unpack the parts supplied with your cooktop. The parts shipped with the cooktop depend on your model ordered. See "Tools and Parts" section for a complete list parts supplied with your cooktop.

The pressure regulator and flexible stainless steel gas supply line connector can be assembled to the cooktop now or after the cooktop is installed in the cutout. See "Make Gas Connection" section.

1. Decide on the final location for the cooktop.
2. Using two or more people, place the cooktop upside down on a covered surface.
3. Remove foam strip from literature packing. Remove backing from foam strip. Apply foam strip adhesive-side down along the left and right sides of the cooktop trim.

NOTE: The foam strip helps the cooktop sit flat on uneven counters and avoids damage to the countertop surface.



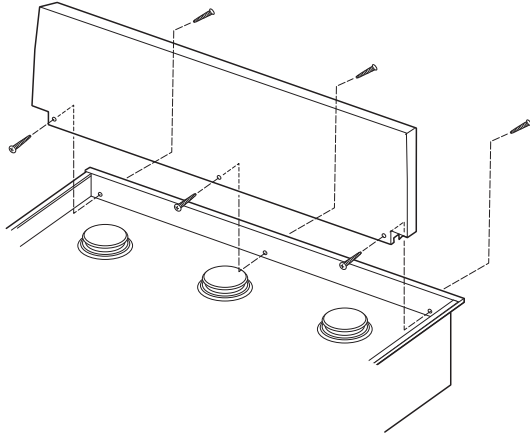
A. Cooktop base
B. Foam strip
C. Cooktop

4. Using 2 or more people, turn cooktop right side up.

Install Optional Backguard

36" (91.4 cm) and 48" (121.9 cm) models may require a backguard. See "Cabinet Dimensions" in the "Location Requirements" section for installation requirements. See the "Tools and Parts" section for information on ordering.

Remove island trim and attach backguard using 6 screws, insert 3 from the front and 3 from the back (9" [22.9 cm] backguard shown).



Make Gas Connection

WARNING



Explosion Hazard

Use a new CSA International approved gas supply line.

Install a shut-off valve.

Securely tighten all gas connections.

If connected to LP, have a qualified person make sure gas pressure does not exceed 14" (36 cm) water column.

Examples of a qualified person include:

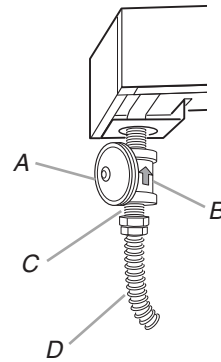
licensed heating personnel,
authorized gas company personnel, and
authorized service personnel.

Failure to do so can result in death, explosion, or fire.

To Assemble Pressure Regulator:

- Using 2 or more people, stand the cooktop on its side or back.
- Connect the flexible stainless steel connector to the pressure regulator using a 1/2" male pipe thread adapter.

A combination of pipe fittings must be used to connect the cooktop to the existing gas line. Shown following is a typical connection. Your connection may be different, according to the supply line type, size and location.



A. Gas pressure regulator

B. Regulator - Must be installed with arrow pointing up to cooktop bottom

C. Adapter - Must have 1/2" male pipe thread

D. CSA approved flexible stainless steel gas supply line

- Install the pressure regulator with the arrow pointing up toward the bottom of the cooktop burner base and in a position where you can reach the regulator cap.

IMPORTANT: All connections must be wrench-tightened. Do not make connections to the gas regulator too tight. Making the connections too tight may crack the regulator and cause a gas leak. Do not allow the regulator to turn on the pipe when tightening fittings.

Use only pipe-joint compound made for use with Natural and LP gas. Do not use TEFLON® tape.

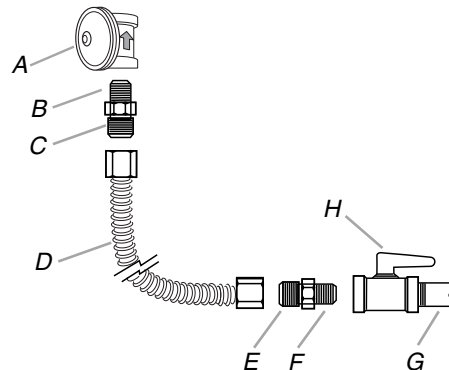
You will need to determine the fittings required depending on your installation.

- Place cooktop into the countertop cutout.

NOTE: Check that the front edge of the cooktop is parallel to the front edge of the countertop. If repositioning is needed, lift entire cooktop up from cutout to avoid scratching the countertop.

Typical flexible connection

- Apply pipe-joint compound made for use with LP gas to the smaller thread ends of the flexible connector adapters (see B and F in the following illustration).
- Attach one adapter to the gas pressure regulator and the other adapter to the gas shutoff valve. Tighten both adapters.
- Use a 15/16" combination wrench and channel lock pliers to attach the flexible connector to the adapters. Check that connector is not kinked.



A. Gas pressure regulator

B. Use pipe-joint compound.

C. Adapter - Must have 1/2" male pipe thread

D. Flexible connector

E. Adapter

F. Use pipe-joint compound.

G. 1/2" or 3/4" gas pipe

H. Manual gas shutoff valve