

# RF23HCEDBSR

22.5 cu. ft. Counter-Depth French Door Refrigerator with Cool Select Pantry™

## Features

- 3-Door Counter-Depth Design
- Large Capacity – 22.5 cu. ft.
- Twin Cooling Plus System™
- ENERGY STAR® Compliant
- Ice Master Ice Maker in the Refrigerator
- CoolSelect Pantry™ with Temperature Control
- Premium External Filtered Water and Ice Dispenser
- High-Efficiency Top and Side LED Lighting
- EZ-Open Handle™ on Freezer Door
- Adjustable Shelf for Tall Oversized Items
- Two Humidity-Controlled Crispers
- Tempered Glass Spill-Proof Shelves
- Auto Pull-Out Upper Freezer Drawer
- Easy-to-Access Water Filter

## Convenience

- Cool Tight Door
- Door Alarm
- Water Filter Indicator



ENERGY STAR® rated:  
699 kWh/yr



Ice Master



CoolSelect Pantry™ with Temperature Control

## Available Colors



Stainless Steel  
(shown)



White



Black

## Signature Features

### SLEEK, BUILT-IN LOOK

- Stylish, counter-depth design allows for more work space in the kitchen.
- Sleek, built-in look enhances overall kitchen design.

### TWIN COOLING PLUS®

- Keeps food fresher longer – Twin Cooling Plus humidity levels up to 3.6x higher than single cooling.
- Refrigerator air is kept at higher, near commercial grade humidity levels to keep perishable fruits and vegetables fresher longer.
- Drier freezer air means less freezer burn for better-tasting frozen foods.

### ICE MASTER

- Our Ice Master makes 5.2 lbs. of ice per day with storage for nearly 2.7 lbs.
- Space-saving design leaves more room in the refrigerator.

### COOL SELECT PANTRY™

- Provides additional temperature control for your food storage needs with Deli, Fresh and Chilled options.



Ranked **“Highest in Customer Satisfaction with Refrigerators”**  
by J.D. Power and Associates.

**SAMSUNG**

# RF23HCEDBSR

22.5 cu. ft. Counter-Depth French Door Refrigerator with Cool Select Pantry™

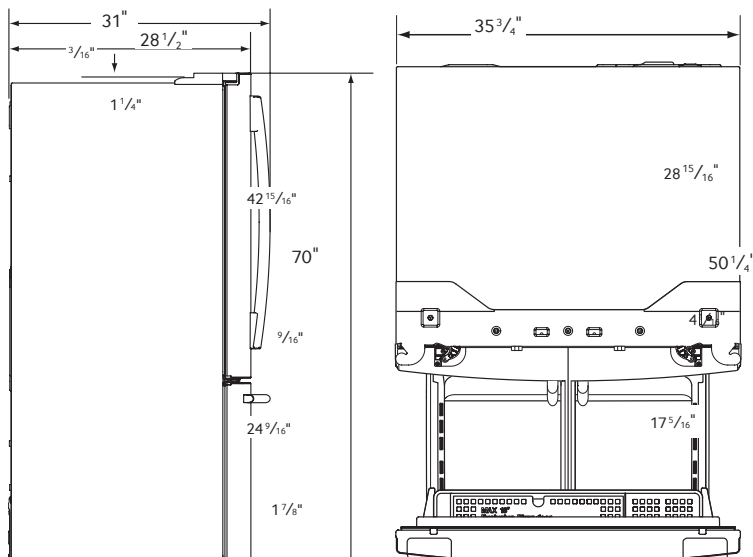
## Installing Your Refrigerator

1. Measure the height, width and depth of the opening, making sure to include baseboards, molding tile, countertop overhang, etc. Check to be sure there is enough room to open the door (consider walls, islands or other obstacles when measuring).
2. Refer to illustration below to determine dimensions.
3. Allow 2" of clearance on hinge side of refrigerator when installing next to a wall where handle may make contact.
4. Allow 1" minimum clearance at rear for proper air circulation and water/electrical connections. Allow a 3/8" minimum clearance at sides and top for ease of installation.
5. Ensure each door and entry way in the home is wide enough for the refrigerator to be moved through easily.

Please note: The following dimension and cutout information is for planning purposes only. For complete installation details consult manual packed with product, or download manual on-line at [samsung.com](http://samsung.com).



## Dimensions



## Total Capacity: 22.5 cu. ft.

### Refrigerator: 15.7 cu. ft.

- Premium External Filtered Water and Ice Dispenser
- Ice Master Ice Maker
- CoolSelect Pantry™ with Temperature Control – Deli (41°C), Fresh (38°F) and Chilled (32°F) options
- 2 Humidity-Controlled Crispers
- 5 Tempered Glass Spill-Proof Shelves
- Adjustable Shelf for Tall oversized Items
- 6 Door Bins
  - Right Door: 3 Gallon Bins
  - Left Door: 3 Regular Bins
- High-Efficiency Top and Side LED Lighting

### Freezer: 6.8 cu. ft.

- EZ-Open Handle™
- 1 Drawer Divider
- High-Efficiency LED Lighting

## Accessories

Water Filter: HAF-CIN

## Warranty

One (1) Year All Parts and Labor  
Five (5) Years Sealed System Parts and Labor  
Ten (10) Years Compressor Parts Only

## Product Dimensions & Weight

Dimensions (WxHxD with hinges, handles and doors):  
35 3/4" x 70" x 31"

Dimensions (WxHxD without hinges and door):  
35 3/4" x 68 7/8" x 24"

Dimensions (WxHxD with hinge and door, no handle):  
35 3/4" x 70" x 28 1/2"

Weight: 297.62 lbs.

## Shipping Dimensions & Weight (WxHxD)

Dimensions: 38 1/4" x 76 5/8" x 31 1/4"

Weight: 321.87 lbs.

| Color           | Model #     | UPC Code     |
|-----------------|-------------|--------------|
| Stainless Steel | RF23HCEDBSR | 887276966106 |
| White           | RF23HCEDBWW | 887276967646 |
| Black           | RF23HCEDBBC | 887276967660 |

**SAMSUNG**

Samsung received the highest numerical score for refrigerators in the proprietary J.D. Power and Associates 2012 Kitchen Appliance Study.<sup>SM</sup> Study based on 12,615 total responses measuring 17 brands and measures opinions of consumers about their refrigerator obtained new in the past 24 months. Proprietary study results are based on experiences and perceptions of consumers surveyed in January-February 2012. Your experiences may vary. Visit [jdpower.com](http://jdpower.com).

Actual color may vary. Design, specifications, and color availability are subject to change without notice. Non-metric weights and measurements are approximate.

©2013 Samsung Electronics America, Inc. 85 Challenger Road, Ridgefield Park, NJ 07660. Tel: 800-SAMSUNG. [samsung.com](http://samsung.com). Samsung is a registered trademark of Samsung Electronics Co. Ltd.