

NX58M9420SS

SAMSUNG

Samsung Slide-In Gas Range

5.8 cu. ft. Capacity



Signature Features

Slide-In Design

- Modern and sleek, custom look that blends seamlessly with your kitchen.

Powerful Flexible Cooktop

- Flexible Cooktop cooks more, faster with 5 specialized round burners and a 17K BTU Power Burner.

5.8 cu. ft. Capacity

- Cook multiple dishes at once or accommodate larger items for the holidays.

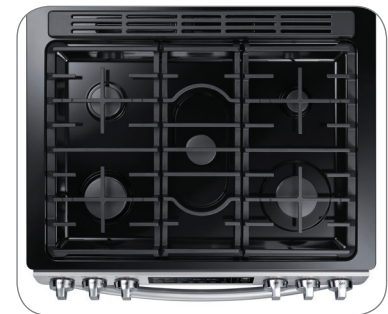
Available Color



Stainless Steel



Slide-In Design



Powerful Flexible Cooktop

Features

- 5 Gas Burners
 - Right Front: 17K BTU
 - Left Front: 15K BTU
 - Right Rear: 5K BTU
 - Left Rear: 9.5K BTU
 - Center: 9.5K BTU
- Fan Convection
- Glass Touch Controls
- Wi-Fi Connectivity
- Wide View Window
- Griddle
- Storage Drawer
- Wok Grate

Convenience

- Auto Oven Light
- Sabbath Mode
- Delay Start
- Auto Shut-Off Option
- Child Safety Lock
- Self Clean
- Favorite Cook (Wi-Fi App only)
- 2 Chrome Racks

NX58M9420SS

SAMSUNG

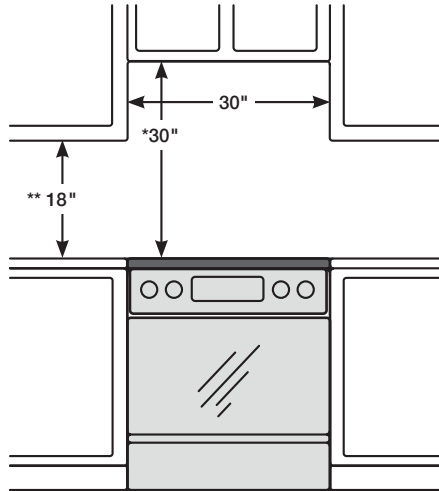
Samsung Slide-In Gas Range

5.8 cu. ft. Capacity

Installation Specifications

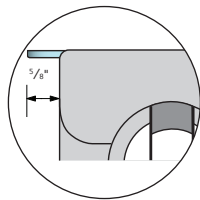
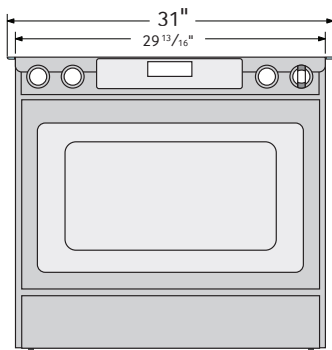
30" minimum clearance between the top of the cooking surface and the bottom of an unprotected wood or metal cabinet; or 24" minimum when the bottom of the wood or metal cabinet is protected by not less than 1/4" flame-retardant millboard covered with not less than no. 28 MSG sheet steel, 0.015" stainless steel, 0.024" aluminum or 0.020" copper.

** 18" minimum between the countertop and the adjacent cabinet bottom.

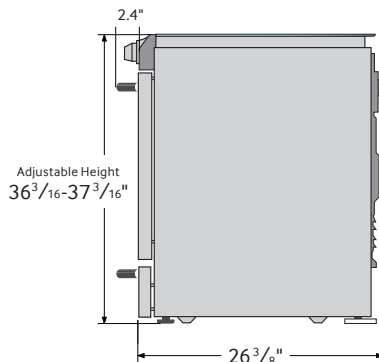


IMPORTANT: To eliminate the risk of burns or fire caused by reaching over heated surface units, cabinet storage space located above the surface units should be avoided. If cabinet storage is to be provided, the risk can be reduced by installing a range hood that projects horizontally a minimum of 5" beyond the bottom of the cabinets.

Dimensions



Glass cooktop overlaps and sits on top of your kitchen countertop to give a built-in look. Cutout space for the range is 29¹³/₁₆".



Total Power (BTU)

56,000 BTU

Power Source

120V/60Hz

Black Enamel 5-Burner Cooktop

- Right Front: 17K BTU
- Left Front: 15K BTU
- Right Rear: 5K BTU
- Left Rear: 9.5K BTU
- Center Rear: 9.5K BTU

Oven

- Bake: 175°F - 550°F
- Convection Bake: 175°F - 550°F
- Bake Burner: 18K BTU
- Broil Burner: 16.5K BTU
- Variable Broil: Low/Hi (446°F - 587°F)
- Convection Roast: 175°F - 550°F
- Sabbath Mode

Storage Drawer

- Capacity: 0.7 cu. ft.

Warranty

One (1) Year All Parts and Labor
Five (5) Years Gas Cooktop

Product Dimensions & Weight (WxHxD)

Actual Oven Dimensions:

25" x 19" x 21¹/₄"

Outside Dimensions:

29¹³/₁₆" x 36³/₁₆-37³/₁₆" (Adjustable) x 26³/₈"

Weight: 202 lbs.

Shipping Dimensions & Weight (WxHxD)

Dimensions:

33¹/₁₆" x 41³/₄" x 30⁵/₁₆"

Weight: 225 lbs.

Color

Stainless Steel

Model

NX58M9420SS

UPC Code

887276196770