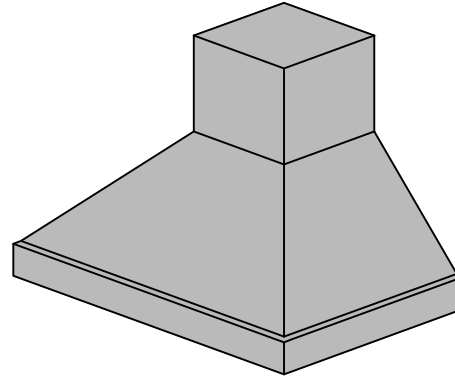
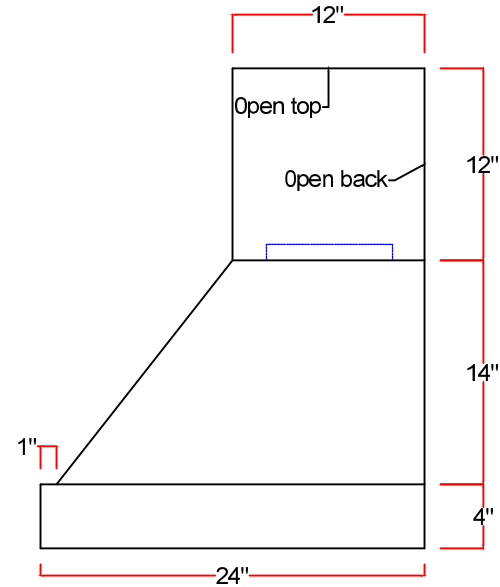
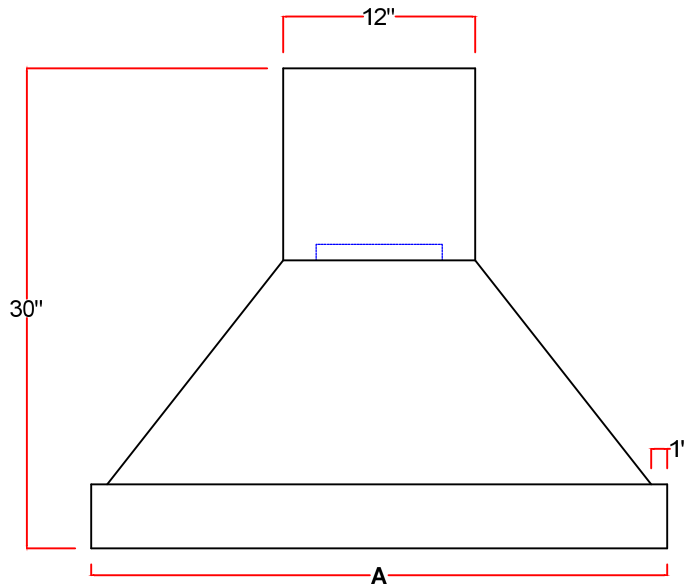


Top View



Model#
PS2030



Modern-Aire Ventilating

7319 Lankershim Blvd. North Hollywood CA. 91605 818-765-9870

| | | | | | | | |
|----------|-----|-----|-----|-----|-----|-----|-----|
| A | 30" | 36" | 42" | 48" | 54" | 60" | 66" |
| B | | | | | | | |
| C | | | | | | | |
| D | | | | | | | |

| | |
|----------|--|
| E | 7" (200cfm - 450cfm) 7" (600cfm) 7" (900cfm - 1200cfm) 7" (external motor) |
| F | 7" (200cfm - 450cfm) 8" (600cfm) 10" (900cfm - 1200cfm) 10" or 8" (external) |
| G | General area but no specific measurement. Hard wired |
| H | |