

MDD30PM/S/PH

## FEATURES

---

Integrates into any kitchen

---

Matches M series ovens, coffee systems, convection steam oven

---

900 watts of power

---

Generous 1.6. cu. ft. capacity

---

Quick-start controls for popular items

---

Gourmet mode cooks automatically from preset recipes

---

"Keep Warm" mode

---

Rigorously tested in our U.S. manufacturing facilities for decades of use

---

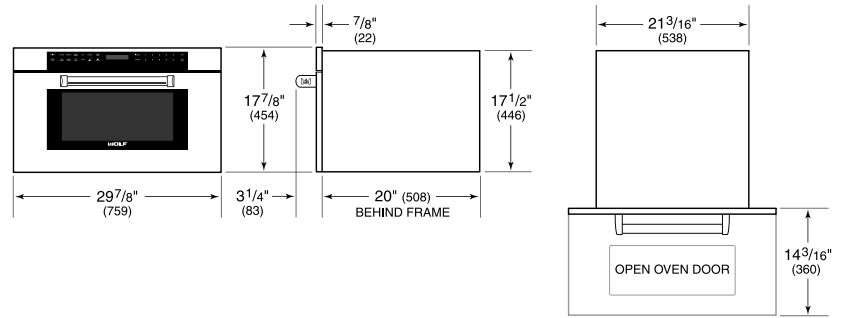
Exceptional 24/7 support from our Customer Care team in Madison



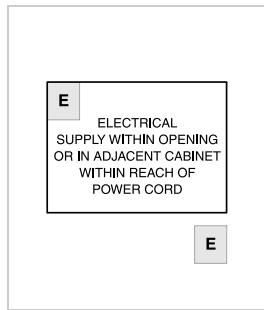
**PRODUCT SPECIFICATIONS**

Model	MDD30PM/S/PH
Dimensions	29 7/8"W x 17 7/8"H x 20"D
Capacity	1.6 cu. ft.
Door Clearance	14 3/16"
Weight	80 lbs
Electrical Supply	120 VAC, 60 Hz
Electrical Service	15 amp dedicated circuit
Overall Capacity	1.6 cu. ft.
Power Cord Length	4 Feet
Receptacle	3-prong grounding-type

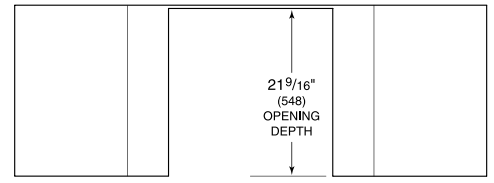
**DIMENSIONS**



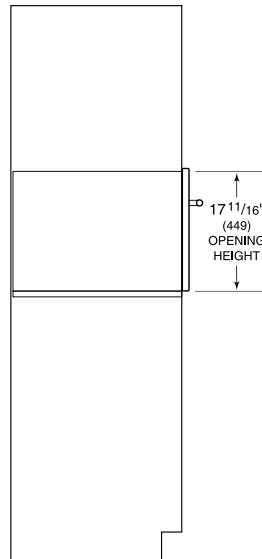
**ELECTRICAL**



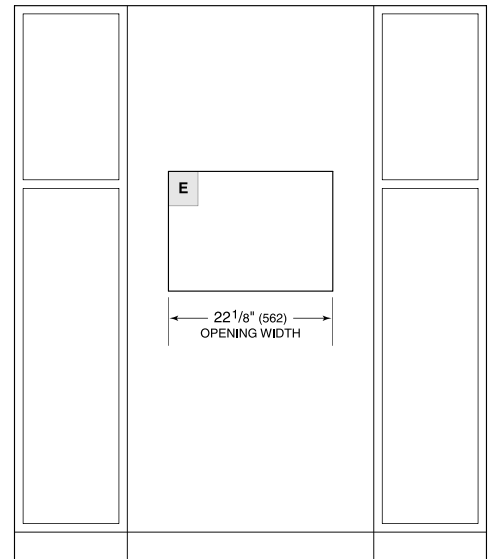
**STANDARD INSTALLATION**



TOP VIEW



SIDE VIEW



FRONT VIEW

**NOTE:**

Dimensions in parenthesis are in millimeters unless otherwise specified