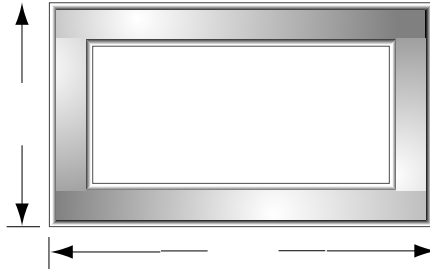


FRAMED MIRRORS



FRAMED MIRRORS

(3/16" CLEAR MIRRORS WITH 1" BEVEL AND 2-1/2" WOOD FRAME)

25" X 24".....\$134.60	49" X 33".....\$350.40
31" X 30".....\$202.65	61" X 33".....\$435.85
37" X 33".....\$264.90	73" X 33".....\$521.35

CUSTOM SIZES.....\$33.55 PER S.F.

(5 SQUARE FOOT MINIMUM CHARGE ON CUSTOM ITEMS.)

CROWN MOULDING MAY BE ADDED TO THESE MIRRORS.

NOTE THAT THE CROWN WILL INCREASE THE
 OVERALL SIZE OF THE ITEM.

2-1/4" CROWN FOR 25", 31", AND 37" MIRRORS.....ADD \$59.00

3-3/8" CROWN FOR 49", 61", AND 73" MIRRORS.....ADD \$99.00

ARCH WITH APPLIQUE.....ADD \$99.00

ALL PRICING ON THIS PAGE IS FOR PAINT WHITE, ALDER,
 OAK, BIRCH, KNOTTY PINE, MAPLE OR CHERRY.

DEDUCT 5% FOR UNFINISHED, ADD 10% FOR GLAZED FINISHES.

CALL OUR FACTORY FOR A QUOTE ON ANY OTHER MATERIAL.

MEDICINE CABINETS & TRIVIEWS

STANDARD MEDICINE CABINETS		CHOICE OF THREE STYLES:	
\$271.75 each		CB-1 (1/2" Overlay, Wood Frame)	
16.5" X 26.5" O.D.		CB-2 (Full Overlay, Wood Frame)	
(Surface or Recess Mount)		CB-3 (Full Overlay, All Mirror Front)	
WINGED MEDICINE CABINET	\$418.40 each	46.0" X 26.5" O.D.	(Fits Standard Rough Opening)
CORNER MEDICINE CABINET	\$397.80 each	16.5" X 26.5" O.D.	(Fixed Wood Shelves)

TRADITIONAL TRIVIEWS			
49" X 33" TRIVIEW.....	\$1,006.95	THESE TRIVIEWS ARE SURFACE MOUNTED WITH BEVELED, RECESSED CENTER MIRRORS & MEDICINE CABINETS ON THE LEFT & RIGHT ENDS	
61" X 33" TRIVIEW.....	\$1,253.60		
73" X 33" TRIVIEW.....	\$1,500.20		
CUSTOM SIZES.....	\$101.00 Per S.F.		
3-3/8" CROWN	ADD \$99.00	GALLEY RAIL IN CENTER..... ADD \$49.00	

ALL MIRROR TRIVIEWS			
TRIPLE MEDICINE CABINETS WITH BUTT DOORS, SURFACE MOUNT			
	STYLE A:	STYLE B:	STYLE C:
31" X 30".....	\$ 579.15	\$ 579.15	\$ 637.05
37" X 33".....	\$ 750.30	\$ 750.30	\$ 836.35
49" X 33".....	\$ 1,006.95	\$ 1,006.95	\$ 1,107.65
61" X 33".....	\$ 1,253.60	\$ 1,253.60	\$ 1,378.95
73" X 33".....	\$ 1,500.20	\$ 1,500.20	\$ 1,650.25
(ADD \$109.00 SET-UP CHARGE FOR RECESSED CONSTRUCTION)			
STYLE A: PLAIN MIRRORS WITH WOOD PERIMETER FRAME WHICH IS PART OF EACH DOOR.			
STYLE B: MIRRORS ONLY, WITH 1" BEVELED PERIMETER (NO WOOD FRAME).			
CUSTOM SIZES.....\$101.00 Per S.F.			
STYLE C: WOOD PERIMETER FRAME AND BEVELED MIRRORS.			
CUSTOM SIZES.....\$111.10 Per S.F.			
(5 SQUARE FT. MINIMUM CHARGE ON CUSTOM ITEMS)			

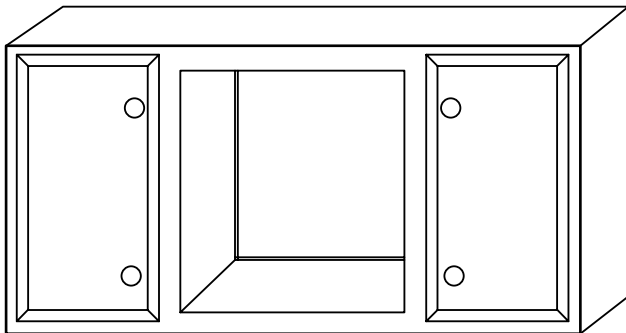
OUR MEDICINE CABINETS AND TRI-VIEWS ARE TYPICALLY 4-3/8" DEEP WITH ADJUSTABLE GLASS SHELVES UNLESS SPECIFIED OTHERWISE.

ALL PRICING ON THIS PAGE IS FOR PAINT WHITE, ALDER, OAK, BIRCH, KNOTTY PINE, MAPLE OR CHERRY. DEDUCT 5% FOR UNFINISHED, ADD 10% FOR GLAZED FINISHES. CALL OUR FACTORY FOR A QUOTE ON ANY OTHER MATERIAL.

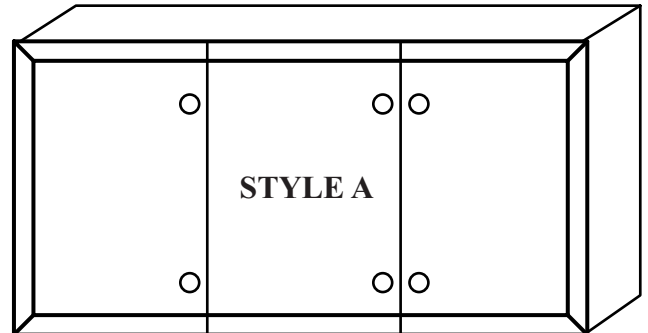
***ALL TRIVIEWS ARE SURFACE MOUNTED, UNLESS SPECIFIED IN WRITING !!**

Traditional Triviews

(Recessed Center)

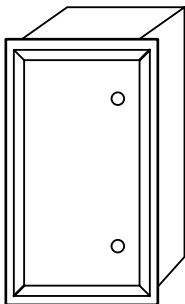


All Mirror Triviews

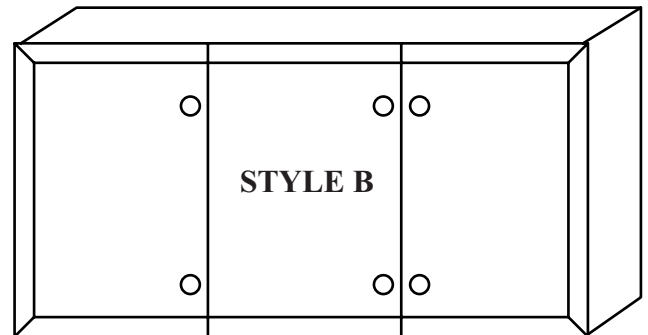
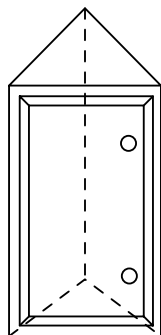


WOOD FRAME & STRAIGHT MIRROR

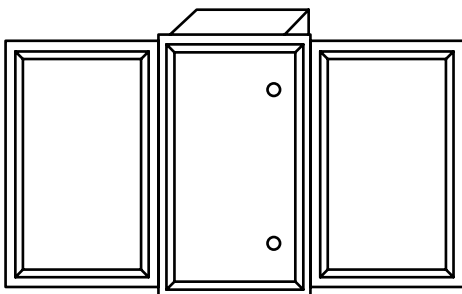
Recessed
Med. Cab.



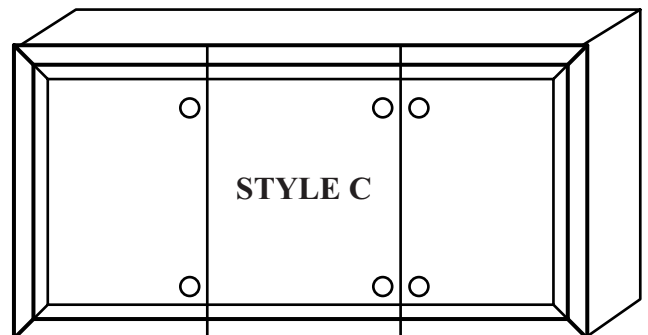
Corner Medicine
Cabinet



BEVELED MIRROR ONLY



Winged Medicine Cabinet



WOOD FRAME & BEVELED MIRROR

○ Indicates Standard Hinge Location

LIGHT BARS

WOOD FRONT			
SIZE	SHALLOW (1-1/2" DEEP)	BOXED (4-3/8" DEEP)	NUMBER OF LIGHTS
19"X5-1/4"	\$126.85	\$139.65	3
25"X5-1/4"	\$165.90	\$180.15	3
31"X5-1/4"	\$201.50	\$220.45	4
37"X5-1/4"	\$234.70	\$257.20	5
49"X5-1/4"	\$313.00	\$334.25	6
61"X5-1/4"	\$361.50	\$397.45	8
73"X5-1/4"	\$423.10	\$468.15	9

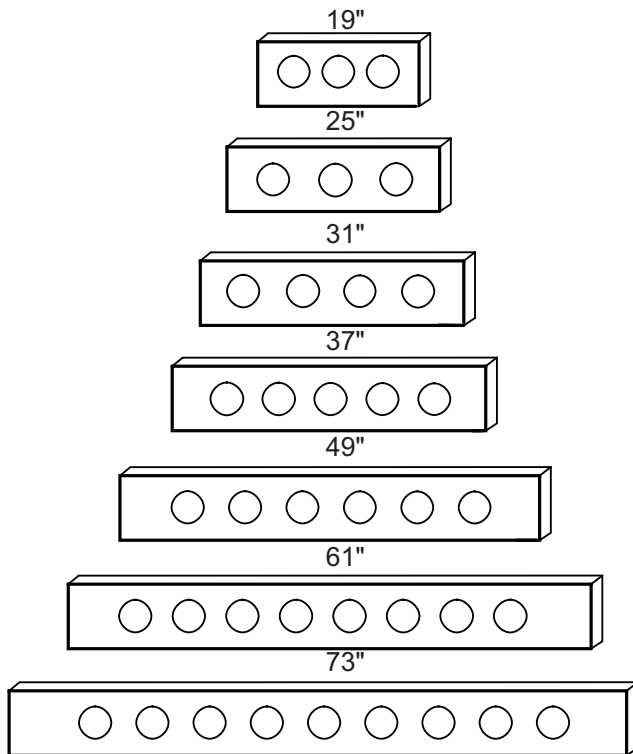
THESE LIGHT FIXTURES HAVE SOLID WOOD FRONTS WITH A PERIMETER EDGE DETAIL TO MATCH OUR VANITIES (SPECIFY EDGE DETAIL).

BEVELED MIRROR FRONT			
SIZE	SHALLOW (1-3/4" DEEP)	BOXED (5-1/4" DEEP)	NUMBER OF LIGHTS
19"X6-1/4"	\$232.75	\$246.85	3
25"X6-1/4"	\$267.00	\$265.85	3
31"X6-1/4"	\$345.30	\$367.75	4
37"X6-1/4"	\$413.15	\$437.45	5
49"X6-1/4"	\$520.55	\$552.50	6
61"X6-1/4"	\$645.85	\$685.50	8
73"X6-1/4"	\$744.35	\$792.90	9

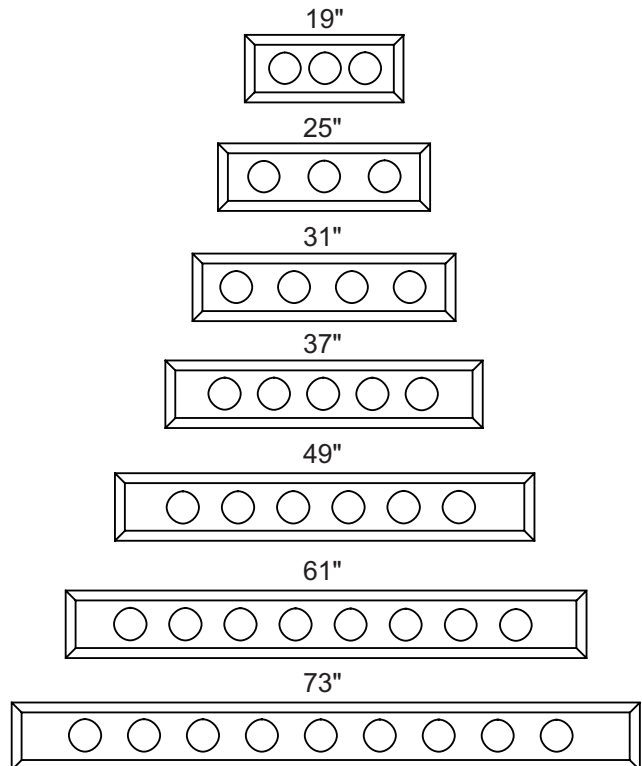
THESE LIGHT FIXTURES HAVE AN ALL MIRROR FACE WITH 1" BEVEL TO MATCH OUR "STYLE B" ALL MIRROR TRIVIUMS

SPECIFY MATERIAL, FINISH, AND TRIM: ANTIQUE BRASS, BRITE BRASS, CHROME, BRUSHED CHROME, OR WHITE

WOOD FRONTS



BEVELED MIRROR FRONTS



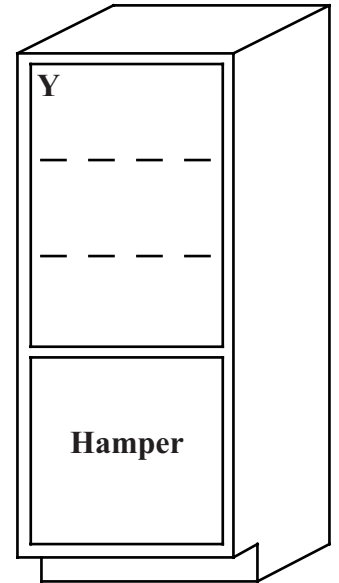
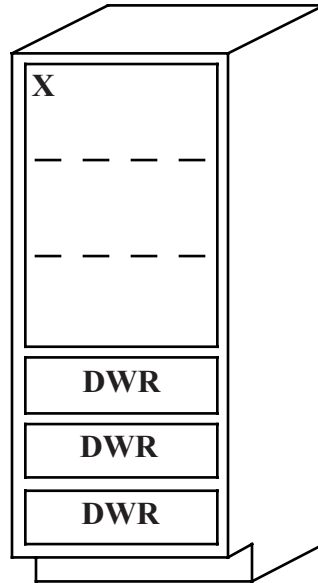
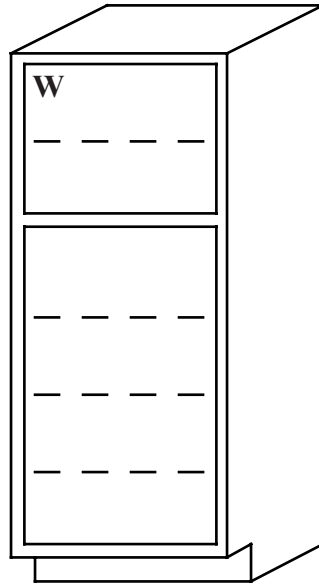
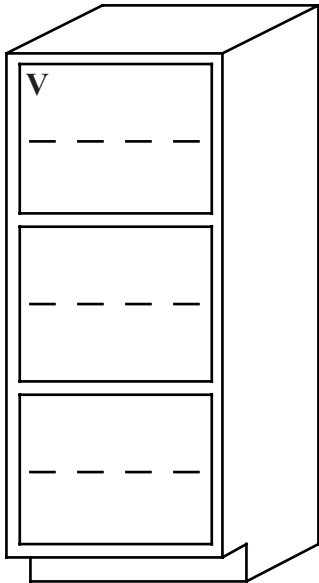
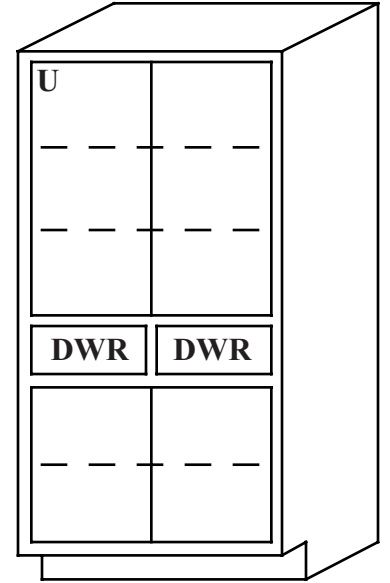
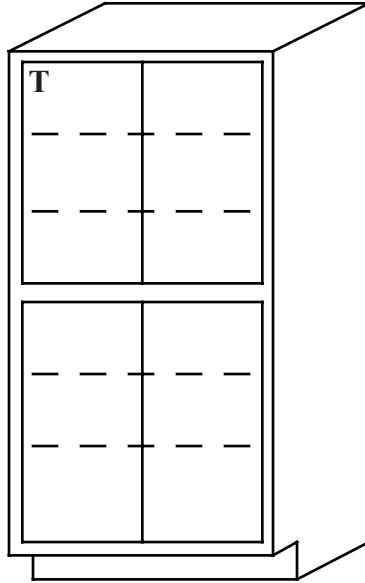
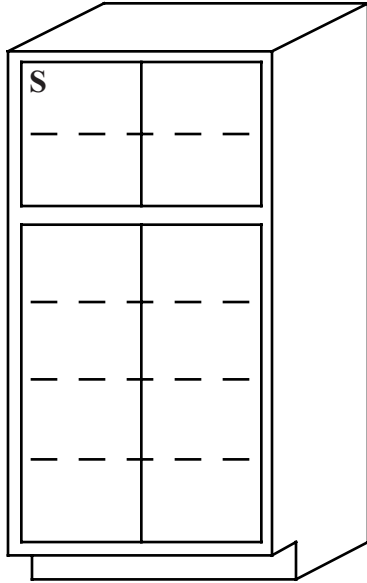
PRICES ABOVE ARE FOR ANY STANDARD FINISH (INCLUDING WHITE WASHED AND UNFINISHED)

CUSTOM SIZES ARE AVAILABLE. CONSULT FACTORY FOR ANY ITEM NOT LISTED ABOVE.

NOTE: LIGHT BULBS ARE NOT PROVIDED WITH THESE FIXTURES. LOW WATT BULBS ARE RECOMMENDED.

TYPICAL LINEN CABINET CONFIGURATIONS

(THESE ARE ONLY SUGGESTIONS, YOU CAN CREATE YOUR OWN LAYOUTS.)



ADJUSTABLE SHELVES ARE INCLUDED IN THE BASIC SQUARE FOOT LINEN CABINET PRICING.

CUSTOM LINEN & OVERJOHN PRICING

See Worksheet on the following page.

Priced per square foot. (5 square foot minimum)		PAINTED WHITE	STAINED & WHITEWASHED	
DOOR STYLE	DEPTH	MDF & HARDWOOD	ALDER, BIRCH, or OAK or PINE	CHERRY or MAPLE
GROUP I (RAISED PANEL)	12" MAX.	\$88.55	\$101.90	\$118.25
	16" MAX.	\$93.05	\$106.45	\$121.05
	24" MAX.	\$97.40	\$115.10	\$126.80
GROUP II (RECESSED PANEL)	12" MAX.	\$84.00	\$98.60	\$109.20
	16" MAX.	\$88.25	\$101.40	\$114.65
	24" MAX.	\$92.45	\$106.25	\$120.10
GROUP III (SOLID)	12" MAX.	\$76.40	\$87.90	\$99.30
	16" MAX.	\$80.20	\$92.30	\$104.25
	24" MAX.	\$84.00	\$96.65	\$109.25
GROUP IV (SPECIALTY DOORS)	12" MAX.	\$101.90	\$117.15	\$132.50
	16" MAX.	\$107.05	\$123.05	\$139.15
	24" MAX.	\$115.10	\$128.85	\$145.70

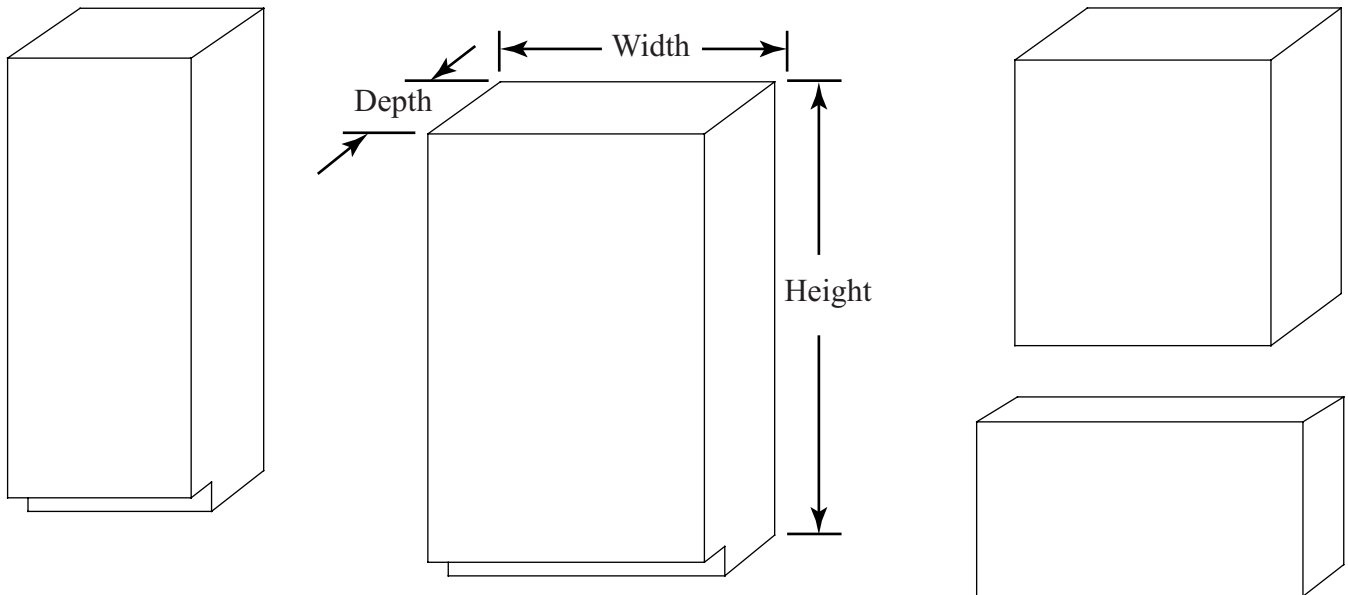
ADD 10 % TO ABOVE PRICES FOR ALL PLYWOOD CONSTRUCTION..

ADD ON FOR THE FOLLOWING ACCESSORIES:

DRAWERS	(PLYWOOD BOX WITH DUAL EPOXY SLIDES)	X \$89.00 EA
PULL OUTS	(PLYWOOD BOX WITH DUAL EPOXY SLIDES)	X \$89.00 EA
ROLL OUT HAMPER	(27" MAX WIDTH WITH FULL EXTENSION SLIDES)	X \$189.00 EA

CUSTOM LINEN WORKSHEET

USE THIS PAGE TO SKETCH & PRICE YOUR LINEN CABINET.
SEE PAGE A5 FOR SUGGESTED LAY-OUTS.



(A) CHOOSE THE DOOR STYLE: _____
CHOOSE THE MATERIAL: _____
CHOOSE THE FINISH: _____

(B) USE THE INFORMATION FROM "A" ALONG WITH THE DEPTH
OF YOUR CABINET TO FIND THE CORRECT
PER SQUARE FOOT PRICE ON PAGE A6: _____ \$/Square Foot

(C) CALCULATE SQUARE FOOTAGE OF YOUR CABINET:
WIDTH (LEFT TO RIGHT) MULTIPLIED BY HEIGHT DIVIDED BY 144
_____ " (W) X _____ " (H) ÷ 144 = _____ S.F.

(D) MULTIPLY "B" & "C" TO OBTAIN LIST PRICE FOR CABINET
_____ \$/S.F. (B) X _____ S.F. (C) = _____ SUBTOTAL

(E) ADD ON FOR ANY ACCESSORIES (DRAWERS, HAMPERS, MOULDINGS, ETC.).

STANDARD MISCELLANEOUS CABINETS

DESCRIPTION	PAINTED WHITE	STAINED & WHITEWASHED	
	MDF & HARDWOOD	OAK, ALDER, BIRCH, OR KNOTTY PINE	CHERRY or MAPLE
GROUP I (RAISED PANEL DOORS)			
21 X 21 CORNER VANITY	\$549.05	\$631.35	\$713.75
21X26X8 OVERJOHN	\$269.15	\$309.55	\$349.90
24X36X8 OVERJOHN	\$445.90	\$512.70	\$579.60
21X12X24 HAMPER	\$353.40	\$406.40	\$459.45

GROUP II (RECESSED PANEL DOORS)

21 X 21 CORNER VANITY	\$534.80	\$615.00	\$695.25
21X26X8 OVERJOHN	\$254.95	\$293.10	\$331.45
24X36X8 OVERJOHN	\$383.05	\$440.60	\$497.95
21X12X24 HAMPER	\$320.20	\$368.25	\$378.75

GROUP III (SOLID DOORS)

21 X 21 CORNER VANITY	\$521.80	\$600.00	\$678.30
21X26X8 OVERJOHN	\$233.65	\$268.65	\$303.70
24X36X8 OVERJOHN	\$351.00	\$403.75	\$456.30
21X12X24 HAMPER	\$320.20	\$368.25	\$416.20

GROUP IV (SPECIALTY DOORS)

21 X 21 CORNER VANITY	\$582.30	\$669.65	\$757.00
21X26X8 OVERJOHN	\$288.25	\$331.45	\$374.70
24X36X8 OVERJOHN	\$434.00	\$499.05	\$564.25
21X12X24 HAMPER	\$360.50	\$414.60	\$468.65

MAGAZINE & TP RACK	\$188.60	\$216.90	\$245.20
--------------------	----------	----------	----------

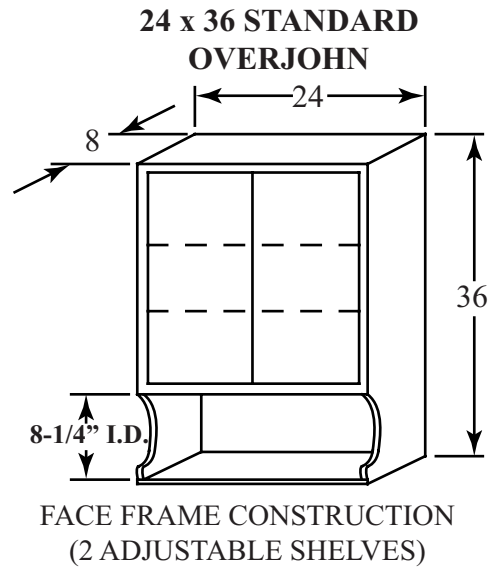
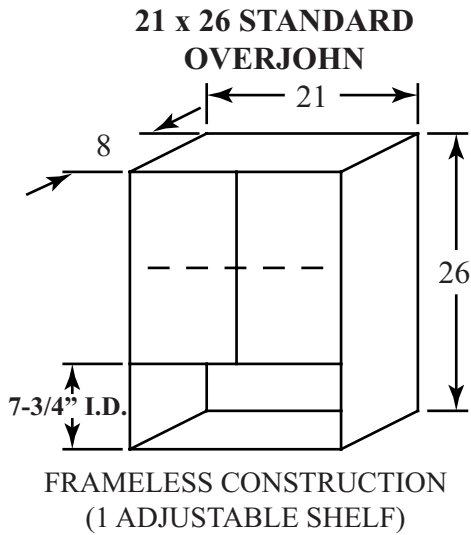
ALL PRICES ABOVE ARE FOR PREFINISHED CABINETS.
DEDUCT 15% FOR UNFINISHED CABINETS.
 ADD 15% FOR A GLAZED FINISH.

SHELVES ARE ADJUSTABLE AND MADE OF MELAMINE.
 CONCEALED HINGES & FINGER PULLS ARE STANDARD.

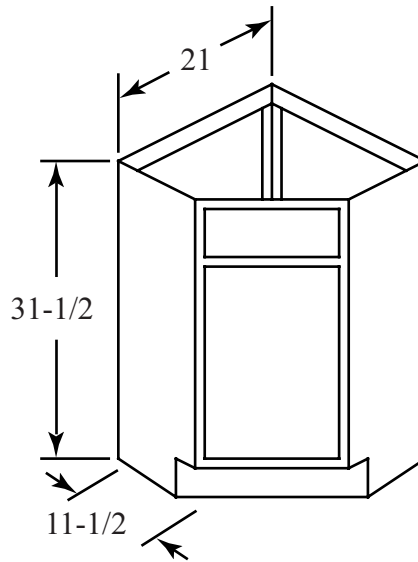
Classic Bath Designs, Inc.

SUN VALLEY • CALIFORNIA

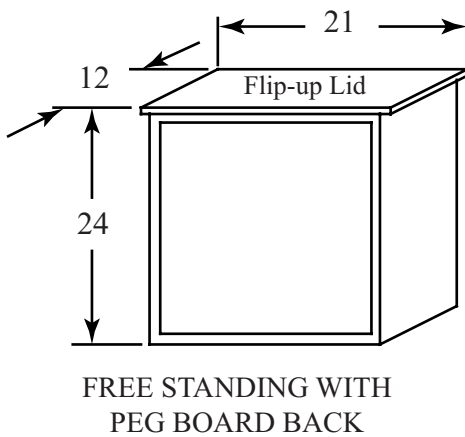
JUNE 1, 2005
 (818) 767-1144
 (818) 767-1278 FAX



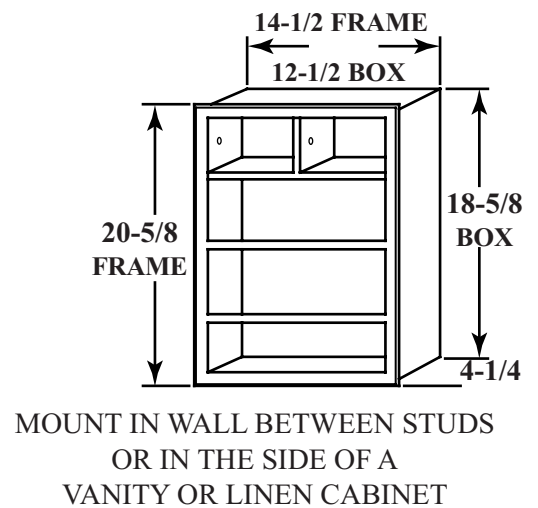
21 x 21 CORNER VANITY



STANDARD HAMPER



TOILET PAPER & MAGAZINE RACK

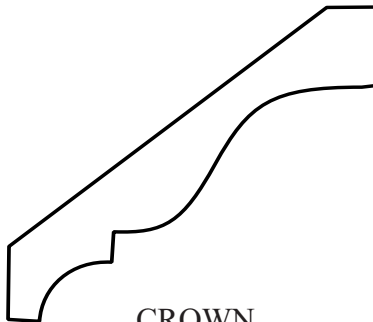


MOULDINGS & MISCELLANEOUS ITEMS

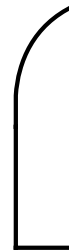
BASE SHOE	(3/8" X 3/4")	X \$ 4.00 LF =
SCRIBE	(3/16" X 3/4")	X \$ 4.00 LF =
2-1/4" CROWN	COVERS 1-5/8" (H) X 1-9/16" (V)	X \$ 12.00 LF =
3-3/8" CROWN	COVERS 2-1/4" (H) X 2-3/8" (V)	X \$ 12.00 LF =
GALLEY RAIL	72" LENGTHS (2-1/4" TALL X 3/4" THICK)	X \$ 15.00 LF =
LARGE FLUTED OVERLAYS	(3-1/2" WIDE, 5/8" THICK)	X \$ 8.00 LF =
SMALL FLUTED OVERLAYS	(1-3/4" WIDE, 5/8" THICK)	X \$ 8.00 LF =
LARGE PLINTH BLOCKS	(3-5/8" X 3-5/8")	X \$ 12.00 EA =
SMALL PLINTH BLOCKS	(1-7/8" X 1-7/8")	X \$ 10.00 EA =
STANDARD APPLIQUE #SPR 789	(16-1/4" X 3-3/4")	X \$ 89.00 EA =
STANDARD APPLIQUE #SPR 404	(14" X 2-3/4")	X \$ 89.00 EA =
TOE-KICK SKINS	(4" X 96" X 1/4")	X \$ 29.00 EA =
SHORT FILLERS (YOU SHOULD NOT NEED THESE)	(3" X 48" MAX)	X \$ 29.00 EA =
TALL FILLERS (YOU SHOULD NOT NEED THESE)	3" X 48" MAX)	X \$ 39.00 EA =
ROUGH TOP (CDX PLYWOOD)	(SPECIFY 3/4" FOR TILE OR 5/8" FOR GRANITE)	X \$ 6.00 SF =
EXTRA FINISH (PAINT OR STAIN)	(QUART)	X \$ 35.00 EA =
EXTRA FINISH (PAINT OR STAIN)	(PINT)	X \$ 25.00 EA =
EXTRA FINISH (PAINT OR STAIN)	(4 OZ.)	X \$ 15.00 EA =



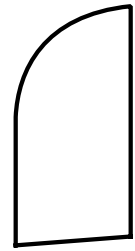
APPLIQUE #SPR789



CROWN
 (2-1/4" or 3-3/8")



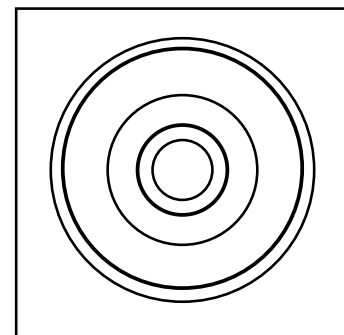
SCRIBE



BASE



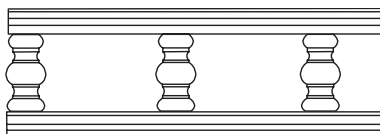
APPLIQUE #SPR404



PLINTH BLOCK
 (3-5/8" or 1-7/8")



FLUTED OVERLAY



GALLEY RAIL