

CULTURED PRODUCTS

COLORS OF CULTURED PRODUCTS

THE MANUFACTURING OF CULTURED MARBLE, ONYX & GRANITE IS A COMPLEX PROCESS INVOLVING SEVERAL MANUAL OPERATIONS PERFORMED BY SKILLED CRAFTSMEN. AS WITH NATURAL MARBLE, VARIATIONS IN VEINING AND TONAL QUALITIES WILL OCCUR. FINAL PRODUCT COLOR IS INFLUENCED BY VARIATIONS IN RAW MATERIALS. **SAMPLES MUST BE CONSIDERED AS REPRESENTATIVE, BUT NOT EXACT.** SAMPLES ARE PROVIDED ONLY AS A GENERAL GUIDE. NO TWO PIECES WILL EVER BE THE SAME SINCE EACH HAS A CHARACTER AND PATTERN AS INDIVIDUAL AS A FINGERPRINT. **NO REFUNDS OR DISCOUNTS WILL BE GIVEN FOR COLOR OR PATTERN VARIATIONS.**

TOLERANCES

CUSTOM ITEMS ARE MANUFACTURED TO PURCHASERS' SPECIFICATIONS UNDER HIGHLY CONTROLLED PRODUCTION METHODS. ALTHOUGH GREAT CARE IS TAKEN DURING PRODUCTION, MINOR INCONSISTENCIES WILL OCCUR. ALL DIMENSIONS MAY VARY SLIGHTLY.

CAUTION OF HOT WATER !! ALWAYS MIX HOT WATER WITH COLD. NEVER USE STRAIGHT HOT WATER, AS IT MAY CAUSE "CRAZING" DUE TO THERMAL SHOCK. CRAZING WILL APPEAR AS HAIRLINE CRACKS IN THE SURFACE GLAZE. **NOTE TO INSTALLER:** HAND TIGHTEN POP-UP ASSEMBLY! OVERTIGHTENING OF FITTINGS CAN RESULT IN STRESS CRACKING AT A LATER DATE.

CARE OF CULTURED PRODUCTS

CULTURED MARBLE PRODUCTS SUPPLIED BY CLASSIC BATH DESIGNS WILL GIVE YOU MANY YEARS OF SERVICE WITH A MINIMUM AMOUNT OF CARE. REGULAR CLEANING WITH LIQUID CLEANSER AND AN OCCASIONAL COAT OF PASTE WAX IS ALL THAT IS NEEDED. NEVER USE ABRASIVE CLEANERS ON CULTURED MARBLE. WE RECOMMEND & DISTRIBUTE BOTH SHINE-ALL ® AND GEL KARE® POLISH TO MAINTAIN THE BEAUTY OF ALL CULTURED MARBLE PRODUCTS.

COMPARISON OF OUR DIFFERENT CULTURED PRODUCTS

CULTURED MARBLE: (#100 SERIES)	APPROXIMATELY 25% POLYESTER RESIN AND 75% CALCIUM CARBONATE (WHITE LIMESTONE) WITH TITANIUM PIGMENT BACKGROUND AND COLOR VEINING. THESE ARE ALSO AVAILABLE WITH A COLORED BACKGROUND AND WHITE VEINING. THIS IS OUR LEAST EXPENSIVE CULTURED MATERIAL.
CULTURED ONYX: (#200 SERIES)	APPROXIMATELY 25% POLYESTER RESIN AND 75% ALUMNA TRI-HYDRATE WITH OFF-WHITE BACKGROUND AND COLOR VEINING AND WHITE VEINING. THE COST IS APPROXIMATELY 30% MORE THAN CULTURED MARBLE.
GRANITE: (#300 SERIES)	APPROXIMATELY 25% POLYESTER RESIN AND 75% PRE-MIXED COLOR AND PATTERN MATERIAL. THE COST IS APPROXIMATELY 65% MORE THAN CULTURED MARBLE.
FLORENTINE: (#400 SERIES)	APPROXIMATELY 20% POLYESTER RESIN AND 80% CALCIUM CARBONATE FILLER WITH COLORED BACKGROUND AND SPECIAL VEINING AND PATTERN. THE COST IS APPROXIMATELY 15% MORE THAN CULTURED MARBLE.
FRIT: (#500 SERIES)	APPROXIMATELY 25% POLYESTER RESIN, 70% ALUMNA TRI-HYDRATE, AND 5% FRIT ("CRUSHED GLASS") COLORED BACKGROUND WITH FRIT IN THE PATTERN WHICH ADDS "DEPTH" IN THE VEINING AND PATTERN. THE COST IS APPROXIMATELY 65% MORE THAN CULTURED MARBLE.

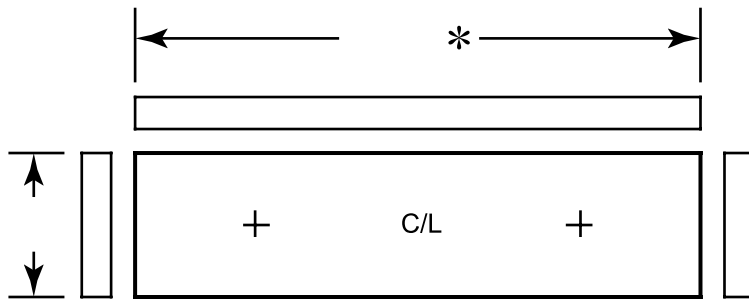
FIELD MEASURE, DELIVERY, AND INSTALLATION ARE AVAILABLE UPON REQUEST AND WILL BE QUOTED SEPARATELY.

Classic Bath Designs, Inc.

SUN VALLEY • CALIFORNIA

JUNE 1, 2005
 (818) 767-1144
 (818) 767-1278 FAX

CUSTOMER _____ P.O. # _____ JOB NAME _____ DATE _____



Material Type: _____ Color # _____

Standard 4" Coved backsplash
 or _____" loose backsplash

Raised Edges (19" or 22" covered tops):

Front Front & Left
 Front & Right None

CUSTOM TOP WORKSHEET


* Prices are per lineal inch	Material Series #	Marble (100)	Onyx (200)	Granite (300)	Florentine (400)	Frit (500)	Extended Prices:
* Up to 22" deep with coved back (116" Max)		\$10.10	\$13.60	\$16.70	\$12.00	\$16.70	
* Up to 25" deep with coved back (142" Max)		\$11.90	\$15.40	\$19.10	\$13.80	\$19.10	
Moulded in sinks	Qty. _____ X	\$199.00	\$229.00	\$249.00	\$209.00	\$249.00	
Specify SINK STYLE (See list and specifications on page M4):							
Top mount sinks (FDL Only)	Qty. _____ X	\$275.00	\$325.00	\$440.00	\$290.00	\$395.00	
Side splashes	Qty. _____ X	\$41.00	\$49.00	\$56.00	\$42.00	\$56.00	
ADDITIONAL CHARGES (These items are the same price for all tops)							
BANJO ARM, CUTBACK, or SPECIAL SHAPE	(Set-up charge)	Add	\$ 75.00 each				
CUT-OUTS	Specify make & model #. Template may be required	Add	\$ 75.00 each				
TWO TONE SINKS	(Specify Sink Color)	Add	\$ 119.00 each				
CUSTOM COLORS	(Sample Will Be Made For Approval)	Add	\$ 89.00 each				
* SPECIALTY EDGES	OGEE BULLNOSE BEVELED DOUBLE OGEE	Add	\$ 2.85 per L.I.				
* SEPARATE BACK SPLASH	(Up to 12" tall)	Add	\$ 1.50 per L.I.				
SPECIFY SINK LOCATION(S):		OFF SET LEFT _____"					N/C
CENTERED _____"		OFF SET RIGHT _____"					N/C
SPECIFY FAUCET DRILL:		4" 8" OTHER					N/C
SINGLE FACE CORRUGATED WRAP IS STANDARD PACKAGING							
* CARTON ONLY		Add	\$ 0.90 per L.I.				
* CARTON & FOAM PACK	(If extra protection is required)	Add	\$ 1.75 per L.I.				

TOTAL LIST PRICE:


FAX US A SKETCH FOR A QUOTE ON CORNER TOPS.

AS WITH NATURAL MARBLE, VARIATIONS IN VEINING AND TONAL QUALITY WILL OCCUR. SAMPLES MUST BE CONSIDERED AS REPRESENTATIVE, BUT NOT EXACT. ACTUAL COLOR MAY VARY, CANNOT BE CONSIDERED A DEFECT, AND WILL NOT CONSTITUTE A REASON FOR A REFUND.


Edge Details




NON DRIP EDGE



FLAT EDGE

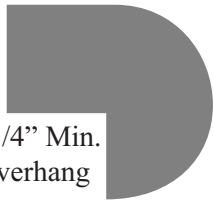


OGEE *




1-1/2" Min.
Overhang

DBL. OGEE *



1-1/4" Min.
Overhang

BULL NOSE *



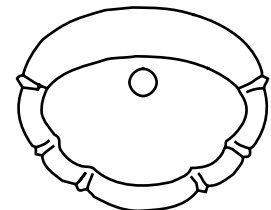
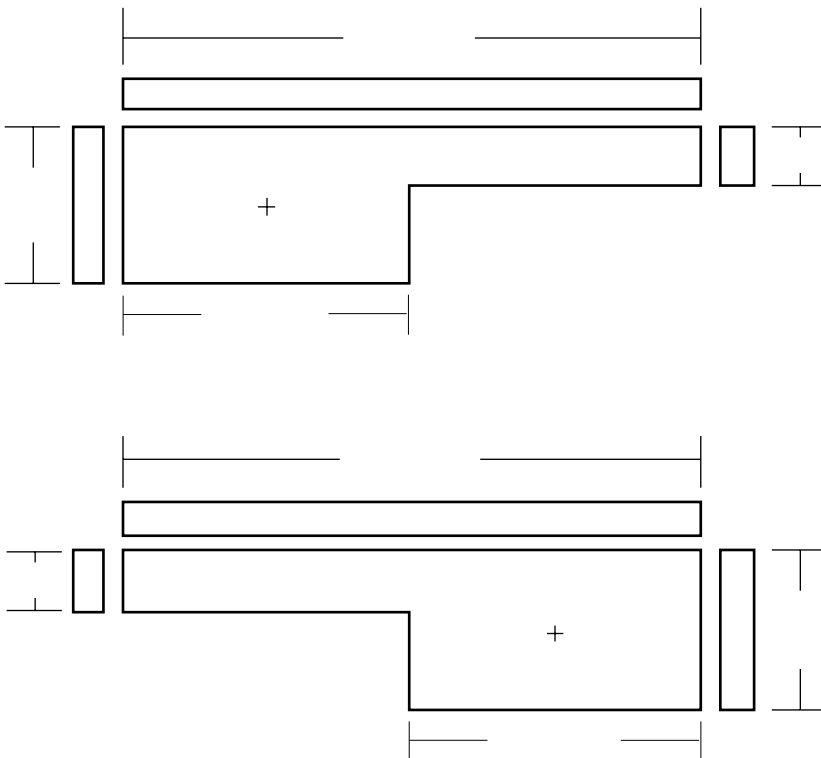
1" Min.
Overhang

BEVELED *

* THESE SPECIALTY EDGES ARE AVAILABLE AT AN ADDITIONAL COST.
 SEE PAGE M2 FOR CUSTOM TOP PRICING
 (We must have the cabinet size to fabricate dropped edges.)

NON-DRIP EDGE IS ONLY AVAILABLE ON 19" AND 22" DEEP TOPS
 WITH COVERED BACKSPLASHES!!

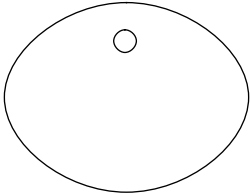
USE THE FOLLOWING SKETCH(ES) WHEN ORDERING "BANJO" TOPS.



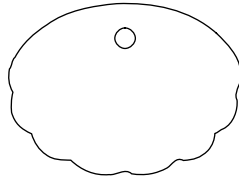
TOP MOUNT FDL
 (22-1/8" X 19-3/8" O.D.)
 (18" X 19-3/8" I.D.)
 MIN. OFFSET 13"

These Sinks Are Available In All Premium Custom Tops

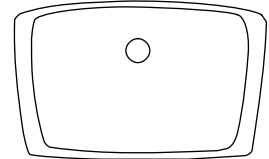
22" MINIMUM COUNTER TOP DEPTH



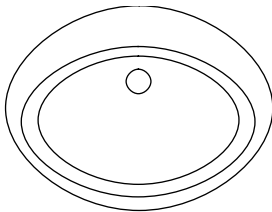
LARGE OVAL
 (17" X 14")
 MIN OFFSET 10 1/2"



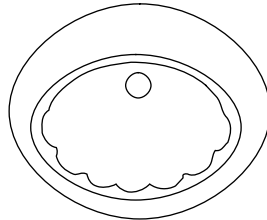
LARGE SHELL
 (18-3/4" X 13")
 MIN OFFSET 11 1/2"



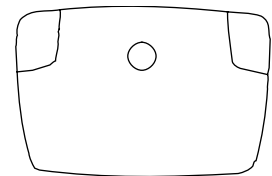
BEVELED RECTANGLE
 (18" X 12-1/2")
 MIN OFFSET 11"



LAGUNA OVAL
 (22-3/4" X 18" O.D.)
 (16-3/4" X 11-3/4" I.D.)
 MIN OFFSET 13 1/2"

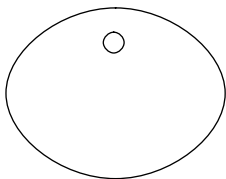


LAGUNA SHELL
 (22-3/4" X 18" O.D.)
 (16-3/4" X 11-3/4" I.D.)
 MIN OFFSET 13 1/2"

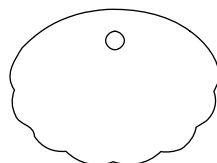


RECTANGLE WITH SOAP DISHES
 (21-1/2" X 13-1/4")
 MIN OFFSET 13"

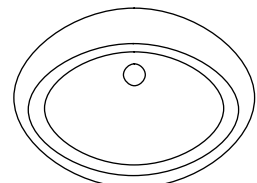
19" MINIMUM COUNTER TOP DEPTH



SMALL OVAL
 (16-3/4" X 12")
 MIN OFFSET 10"

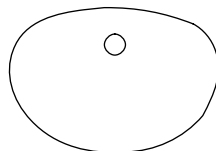


SMALL SHELL
 (16-1/2" X 11-1/2")
 MIN OFFSET 10"

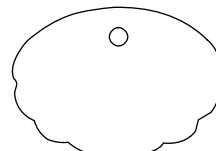


SMALL LAGUNA
 (21-1/2" X 16-3/4" O.D.)
 (15-1/4" X 10-3/8" I.D.)
 MIN OFFSET 13 1/2"

17" MINIMUM COUNTER TOP DEPTH



TINY OVAL
 (15" X 10-1/4")
 MIN OFFSET 9"



TINY SHELL
 (15" X 10-1/4")
 MIN OFFSET 9"

DIMENSIONS AND SKETCHES ARE APPROXIMATE ONLY.

Color List

MARBLE

Color #

Veining

100L White
102L Country Grey
103L Parchment
104L Tender Grey
105L Gold Fleck
106L Mexican Sand
109L Wild Rose
113L Raspberry Puree
116L Almond
117L Black
119L Navy
120L Dresden Blue
124L Seafoam Green
125L Ice Grey
126L Brown
127 Desert Bloom
132L Taupe
133L Teal
134L Innocent Blush
136L Biscuit
138L Thunder Grey

Color #

Background

107L Bone
108L Country Grey
112L Dresden Blue
115L Black
121L Pink
131L Black with Gold
135L Teal
142L Beige

ONYX

Color #

Veining

200L Natural
204L Dresden Blue
205L Wild Rose
206L White Pearl
209L Pink
213L Country Grey
214L Navy Blue
216L Mexican Sand
217L Raspberry Puree
218L Almond
221L Black
222L Gold Fleck
226L Tender Grey
227L Ice Grey
229L Brown
231L Seafoam Green
232L Teal
233L Desert Bloom
234 Thunder Grey
237L Taupe
238L Biscuit
240L Innocent Blush
244L Heron Blue

FLORENTINE

Color #

Background

401L Almond
403L Wild Rose
404L Black
407L Seafoam Green
408L Thunder Grey
413L Biscuit
415L Ice Grey
416L Navy Blue
418L Innocent Blush
420L Deep Green
423L Dresden Blue
424L Desert Bloom
425L Raspberry Puree
430L Mexican Sand
431L Country Grey

GRANITE

Color #

Background

301L Kodiak Brown
302L Champagne
306L Rose
307L Vermont Grey
309L Mc Kinley Grey
311L Twilight Grey
322L Orca Black
329L Shasta White
330L Sea Holly Green

FRIT

Color #

Background

500L Ice Grey
501L Heron Blue
503L Deep Green
505L Antique Red
507L Peach Bisque
508L Snow
511L Black
512L Navy
513L Innocent Blush
515L Biscuit
516L Desert Bloom
517L Almond
519L Raspberry
520L Seafoam
521L Mexican Sand
522L Thunder Grey

Custom colors are available.
Custom color samples will be
made for customer approval.

All Kohler, American Standard, and Eljer colors are available.

Call us to check availability of other standard colors which are not on this list.

As with natural marble, variations in veining and tonal quality will occur.

Samples must be considered as representative, but NOT EXACT.

Actual Color may vary, CANNOT be considered a DEFECT,
and will not constitute a reason for a refund.

Premium Counter Tops Standard Sizes

TOP SIZES	CULTURED MARBLE (100L SERIES)	ONYX (200L SERIES)	GRANITE (300L SERIES)	FLORENTINE (400L SERIES)	FRIT (500L SERIES)
19 X 17	\$131.30	\$179.30	\$232.60	\$157.40	\$232.60
25 X 19	\$188.90	\$256.15	\$333.65	\$224.85	\$333.65
31 X 19	\$245.40	\$333.00	\$434.65	\$293.55	\$434.65
37 X 19	\$282.20	\$413.90	\$538.50	\$363.50	\$538.50
49 X 19	\$378.00	\$513.65	\$668.60	\$453.45	\$668.60
22 X 22 CORNER	\$232.10	\$319.45	\$456.75	\$281.05	\$456.75
25 X 22	\$218.10	\$296.55	\$463.75	\$261.10	\$354.00
31 X 22	\$288.75	\$392.30	\$512.15	\$346.05	\$498.00
37 X 22	\$339.05	\$474.55	\$624.80	\$418.45	\$594.00
49 X 22	\$456.05	\$620.20	\$808.45	\$547.15	\$777.00
61 X 22	\$573.75	\$780.55	\$1,016.05	\$687.00	\$960.00
73 X 22	\$705.35	\$958.50	\$1,249.95	\$844.40	\$1,128.00
73 X 22 DBL*	\$1,014.00	\$1,207.85	\$1,404.00	\$1,064.20	\$1,404.00
SIDE SPLASHES	\$41.00	\$49.00	\$56.00	\$42.00	\$56.00

TWO-TONE SINKS ARE AVAILABLE ON THESE STANDARD TOPS (ADD \$119.00 PER SINK).
 THESE TOPS COME WITH 4" FAUCET **DRILLING**, ADD \$10.00 PER SINK FOR ANY OTHER DRILL.
 SPECIAL DRILLING MUST BE SPECIFIED IN WRITING.

SINGLE FACED CORROGATED WRAP IS STANDARD **PACKAGING** ON THESE TOPS.

IF A CARTON IS REQUIRED, ADD \$.90 PER LINEAL INCH (\$20.00 MINIMUM).

IF A CARTON AND FOAM PACK IS REQUIRED, ADD \$1.75 PER LINEAL INCH (\$40 MINIMUM).

ALL TOPS ON THIS PAGE HAVE LAGUNA (RECESSED) OVAL SINKS EXCEPT THE 19X17 & CORNER TOP.

THE CORNER TOP HAS A REGULAR OVAL SINK.

THE 19X17 HAS AN OVAL SINK WITH A SOAP IMPRESSION ON RIGHT SIDE.

ALL SINGLE SINK TOPS HAVE CENTERED SINKS.

*SPECIFY SINK OFFSETS ON 73X22 DOUBLE SINK TOP (OUR STANDARD IS OSL & R 15-1/2").

FOR ANY OTHER SIZE OR CONFIGURATION SEE OUR CUSTOM TOP WORKSHEET (PAGE M2).

THESE TOPS MAY BE CUT DOWN. ADD \$40 FOR UNFINISHED END (CUT ONLY).

ADD \$45 FOR FINISHED END (CUT AND POLISHED).

AS WITH NATURAL MARBLE, VARIATIONS IN VEINING AND TONAL QUALITY WILL OCCUR.

SAMPLES MUST BE CONSIDERED AS REPRESENTATIVE, BUT NOT EXACT.

ACTUAL COLOR MAY VARY, CANNOT BE CONSIDERED A DEFECT, AND WILL NOT CONSTITUTE A REASON FOR A REFUND.

MISC. ITEMS

PROTECTALL® SHINE PLUS	GEL KARE®
6 OZ. AEROSOL.....\$12.00	16 OZ. SQUEEZE BOTTLE.....\$19.75
CASE (12 BOTTLES/CASE).....\$135.00	CASE (12 BOTTLES/CASE).....\$225.00
16 OZ. TRIGGER BOTTLE.....\$18.00	
CASE (12 BOTTLES/CASE).....\$205.00	

HARDWARE FOR UNDERMOUNT SINKS \$9.50 per SET

BUILDERS SERIES Standard White Tops

TOP SIZES	WHITE ON WHITE	
	MARBLE (#100B)	ONYX (#200B)
20 X 17	\$ 73.50	\$126.00
25 X 19	\$110.25	\$180.00
31 X 19	\$136.50	\$240.00
37 X 19	\$157.50	\$262.50
49 X 19	\$210.00	\$360.00
*22 X 22 CRN	\$180.00	\$273.00
SPLASHES	\$ 41.00	\$49.00

TOP SIZES	WHITE ON WHITE	
	MARBLE (#100B)	ONYX (#200B)
25 X 22	\$150.00	\$240.00
31 X 22	\$168.00	\$257.25
37 X 22	\$210.00	\$294.00
43 X 22	\$360.00	\$450.00
49 X 22	\$330.00	\$470.00
61 X 22	\$441.00	\$514.50
61 X 22 DBL	\$477.75	\$588.00

WE STOCK THE STANDARD TOPS LISTED ABOVE

USE **PAGE M6 (STANDARD PREMIUM TOPS)** FOR MODULAR TOPS IN **OTHER COLORS**.

USE **PAGE M2 (CUSTOM TOPS)** FOR ANY OTHER SIZE, COLOR, OR CONFIGURATION.

SINK INFORMATION

ALL SINKS ARE CENTERED EXCEPT AS NOTED BELOW.

THESE TOPS HAVE BEVELED OVAL SINKS.

61" DOUBLE SINK LOCATIONS ARE TYPICALLY OSL & R 12-1/2".

DRILL INFORMATION

THESE TOPS ARE ONLY AVAILABLE WITH 4" DRILLING.

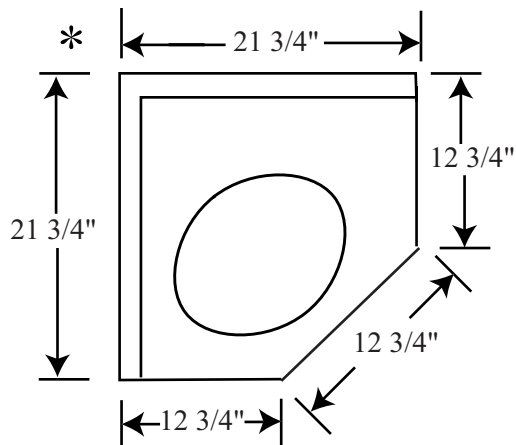
PACKAGING INFORMATION

SINGLE FACED CORRUGATED WRAP IS STANDARD PACKAGING ON THESE TOPS.

AS WITH NATURAL MARBLE, VARIATIONS IN VEINING AND TONAL QUALITY WILL OCCUR.

SAMPLES MUST BE CONSIDERED REPRESENTATIVE, BUT NOT EXACT.

ACTUAL COLOR MAY VARY, CANNOT BE CONSIDERED A DEFECT, AND WILL NOT CONSTITUTE A REASON FOR A REFUND.



THE TOPS ABOVE MAY BE CUT DOWN.
 ADD \$40 FOR UNFINISHED END (CUT ONLY).
 THEY CAN NOT BE CUT AND POLISHED.

Classic Bath Designs, Inc.

SUN VALLEY • CALIFORNIA

JUNE 1, 2005
 (818) 767-1144
 (818) 767-1278 FAX

FLAT STOCK (FOR WALLS, DECKING, ETC.)	CULTURED MARBLE	CULTURED ONYX	CULTURED GRANITE	FLORENTINE	FRIT
3/8" FLAT STOCK (Price per square foot) The maximum size is 84" X 120"	\$23.00	\$34.00	\$42.00	\$28.00	\$42.00
3/4" FLAT STOCK (Price per square foot) The maximum size is 84" X 120"	\$41.00	\$59.00	\$73.00	\$50.00	\$73.00

TUB & SHOWER ACCESSORIES	CULTURED MARBLE	CULTURED ONYX	CULTURED GRANITE	FLORENTINE	FRIT
SOAP DISH (8" X 6-3/4" X 2-3/4")	\$89.00	\$110.00	\$140.00	\$100.00	\$140.00
SOAP AND SHAMPOO DISH (8" X 15-1/4" X 3-1/4")	\$111.00	\$142.00	\$180.00	\$131.00	\$180.00
DIAMOND COMBO DISH (17" X 19-1/2" X 3-5/8")	\$215.00	\$278.00	\$340.00	\$247.00	\$340.00
SHOWER SEAT (18" RADIUS)	\$315.00	\$410.00	\$520.00	\$368.00	\$520.00
INSIDE CORNER MOULDING (3/4" X 3/4" X 96")	\$111.00	\$135.00	\$175.00	\$126.00	\$175.00
SINGLE FLUTE MOULDING (2" X 1/2" X 96")	\$111.00	\$135.00	\$175.00	\$126.00	\$175.00
DOUBLE FLUTE MOULDING (2" X 1/2" X 96")	\$111.00	\$135.00	\$175.00	\$126.00	\$175.00
SEAM MOULDING (1" X 1/4" X 96")	\$111.00	\$135.00	\$175.00	\$126.00	\$175.00
OUTSIDE CORNER MOULDING (1-1/2" X 1-1/2" X 96")	\$111.00	\$135.00	\$175.00	\$126.00	\$175.00
WINDOW SILL (1/2" THICK, UP TO 9" WIDE X 48")	\$210.00	\$268.00	\$335.00	\$242.00	\$335.00

STANDARD SHOWER PANS **Please specify open sides on all shower pans**	CULTURED MARBLE (#100L)	CULTURED ONYX (#200L)	CULTURED GRANITE (#300L)	FLORENTINE (#400L)	FRIT (#500L)
32" X 32" SQUARE	\$595.00	\$750.00	\$919.00	\$667.00	\$919.00
36" X 36" SQUARE	\$739.00	\$970.00	\$1,234.00	\$893.00	\$1,234.00
42" X 42" SQUARE	\$985.00	\$1,273.00	\$1,588.00	\$1,143.00	\$1,588.00
36" X 36" NEO-ANGLE	\$739.00	\$970.00	\$1,234.00	\$893.00	\$1,234.00
42" X 42" NEO-ANGLE	\$985.00	\$1,273.00	\$1,588.00	\$1,143.00	\$1,588.00
42" X 36" RECTANGLE (42" ENTRY)	\$965.00	\$1,273.00	\$1,617.00	\$1,169.00	\$1,617.00
48" X 36" RECTANGLE (48" ENTRY)	\$976.00	\$1,295.00	\$1,643.00	\$1,185.00	\$1,643.00
54" X 36" RECTANGLE (54" ENTRY)	\$1,097.00	\$1,450.00	\$1,832.00	\$1,323.00	\$1,832.00
60" X 32" RECTANGLE (OFFSET DRAIN)	\$1,097.00	\$1,450.00	\$1,832.00	\$1,323.00	\$1,832.00
60" X 34" RECTANGLE (CENTER DRAIN)	\$1,141.00	\$1,505.00	\$1,911.00	\$1,378.00	\$1,911.00
60" X 36" RECTANGLE (CENTER DRAIN)	\$1,174.00	\$1,549.00	\$1,969.00	\$1,422.00	\$1,969.00

Standard Pans are approximately 4-1/4" tall (3-1/2" I.D.)

Custom Floors Can Be Made To Your Specifications. Call For Quote.
 Custom floors can have a threshold height of 3 to 5-1/4 inches.

The maximum size for custom floors is 60 X 72 with a Center Drain.

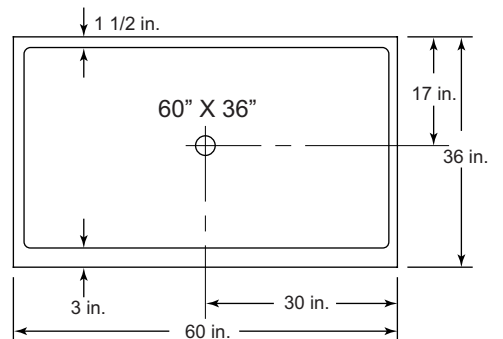
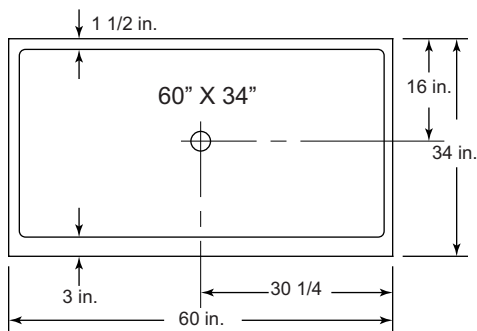
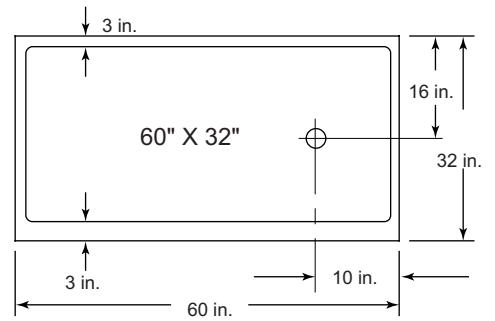
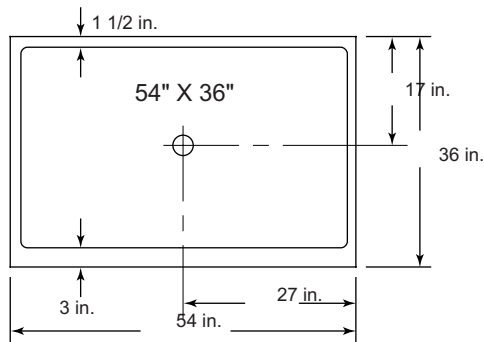
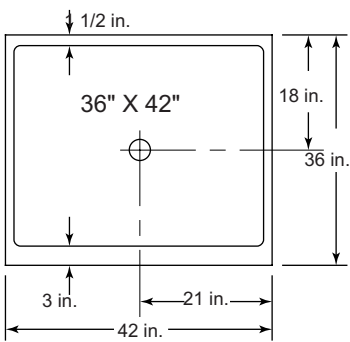
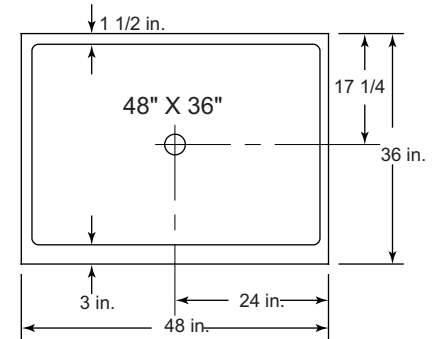
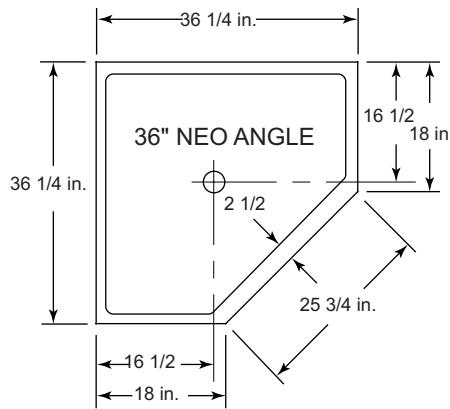
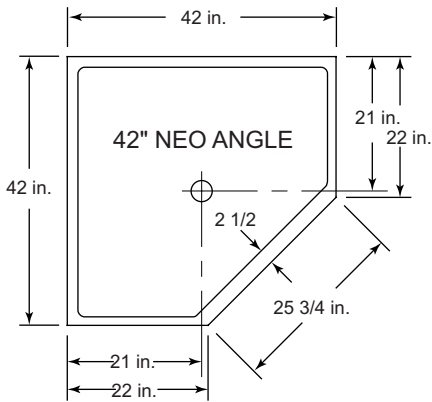
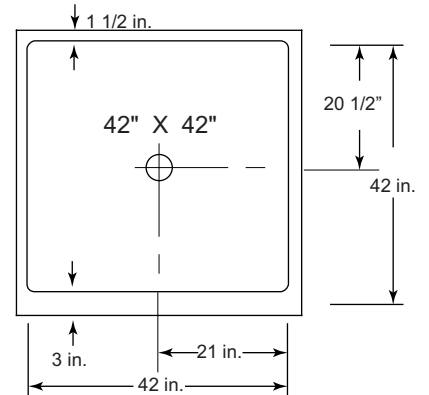
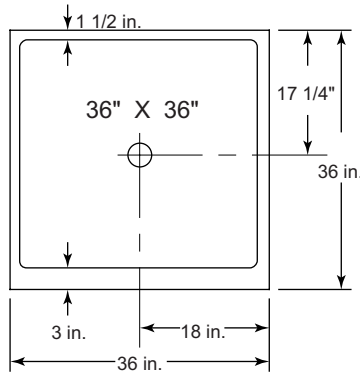
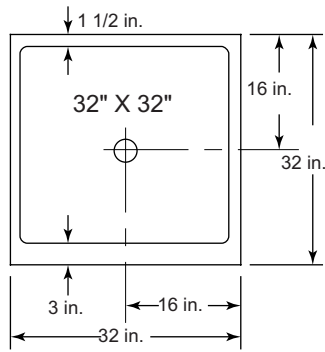
The maximum size is smaller if the Drain is offset.

Installation is available. Call us for an Estimate.

Classic Bath Designs, Inc.

SUN VALLEY • CALIFORNIA

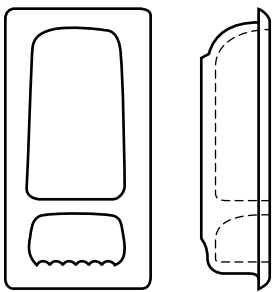
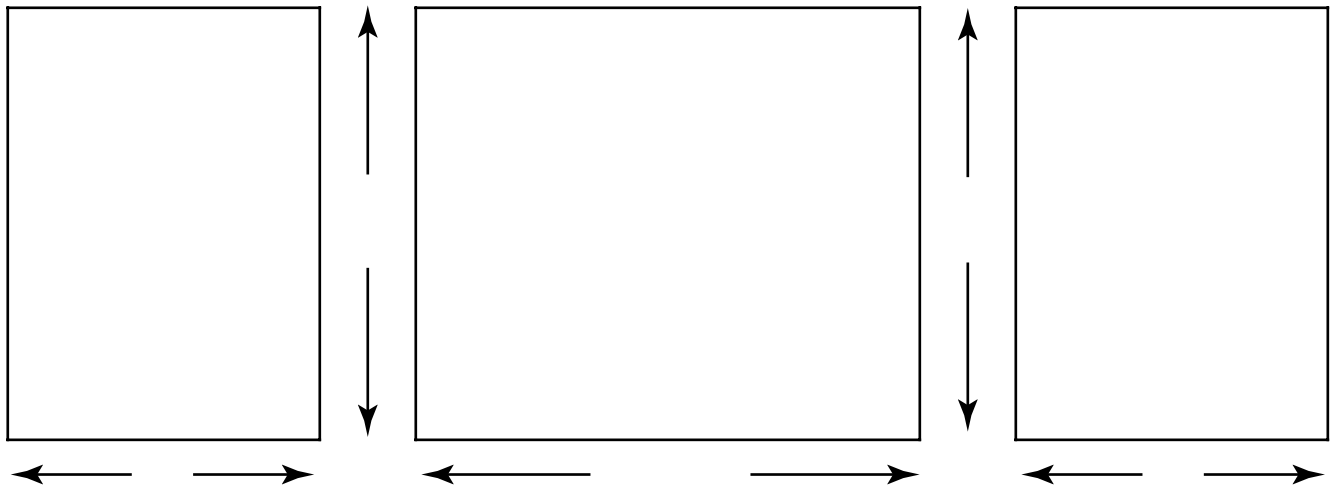
JUNE 1, 2005
(818) 767-1144
(818) 767-1278 FAX



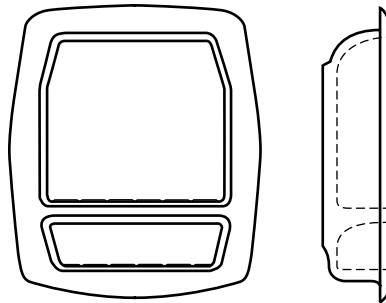
Classic Bath Designs, Inc.

SUN VALLEY • CALIFORNIA

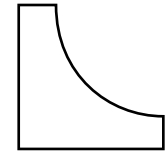
JUNE 1, 2005
(818) 767-1144
(818) 767-1278 FAX



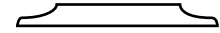
COMBO DISH



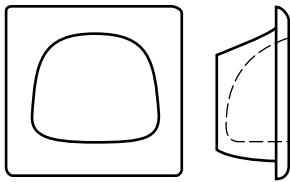
DIAMOND COMBO DISH



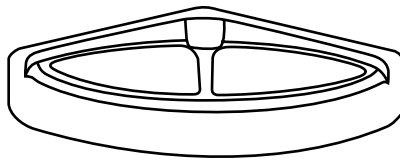
**INSIDE CORNER
MOULDING**



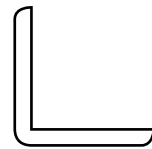
SEAM MOULDING



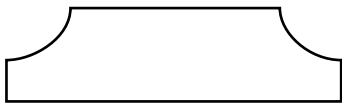
SOAP DISH



SHOWER SEAT



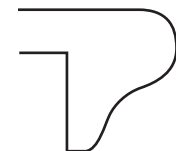
**OUTSIDE CORNER
MOULDING**



DOUBLE FLUTE MOULDING



SINGLE FLUTE MOULDING



WINDOW SILL

ALLOW 1/4" (+/-) ON ALL DIMENSIONS.

As with natural marble, variations in veining and tonal quality will occur.

Therefore, samples must be considered as representative, but NOT EXACT.

Color variation CANNOT be considered a DEFECT, and will not constitute a reason for a refund.